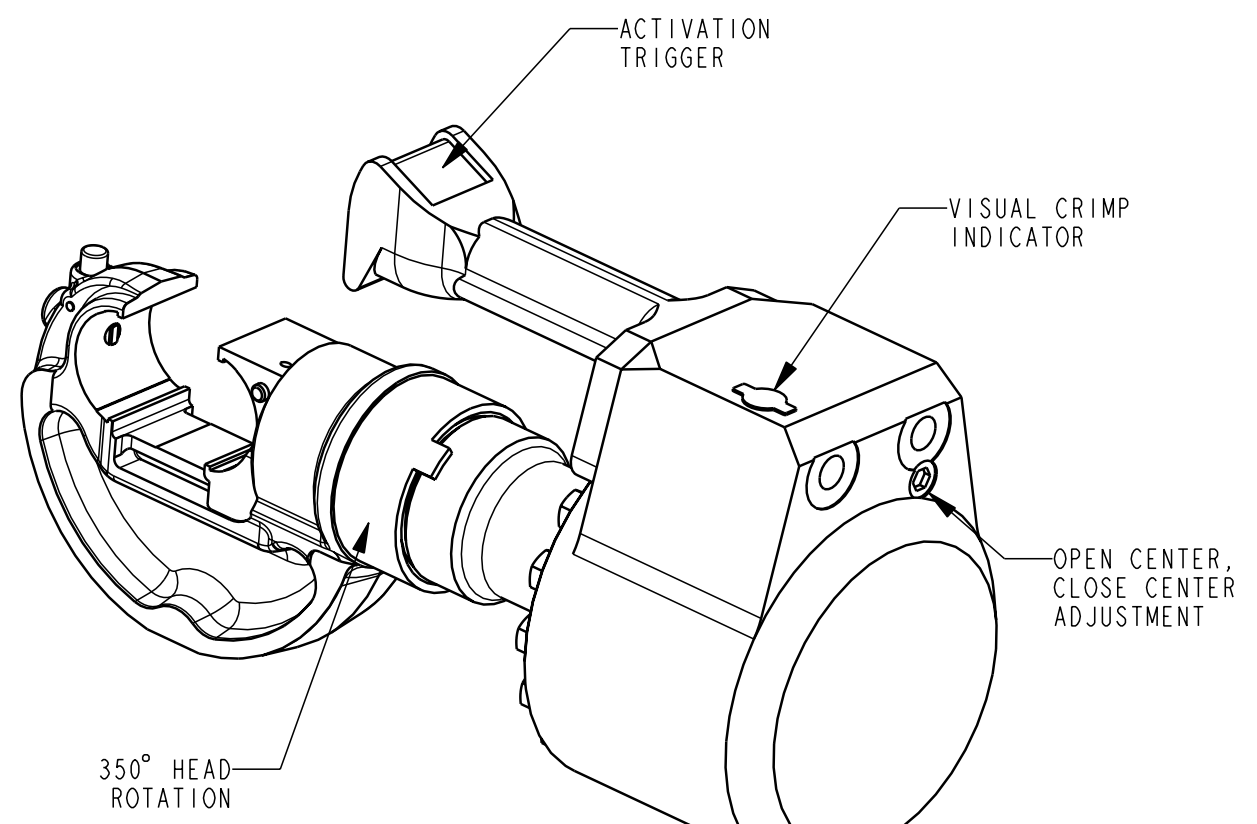
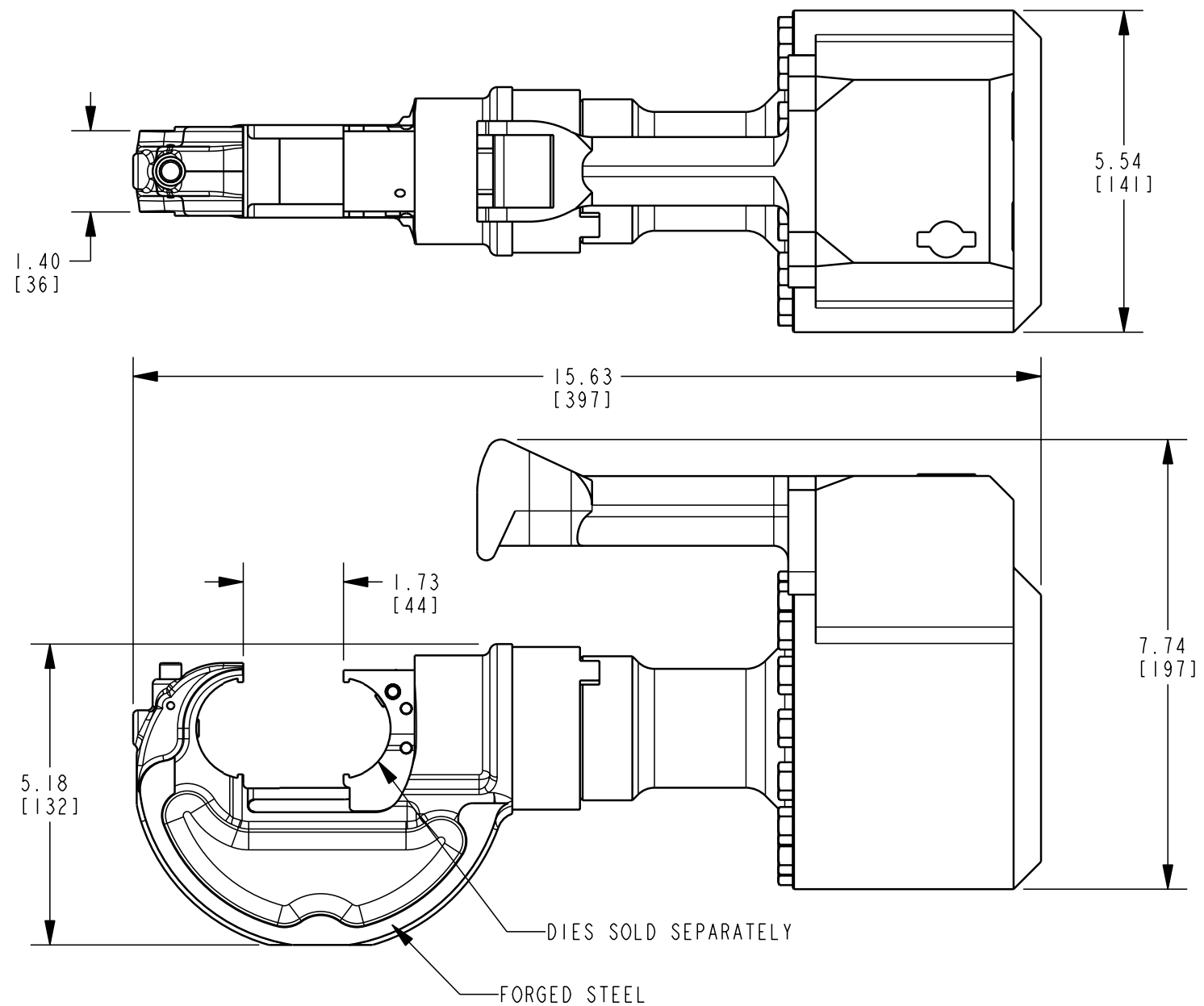


REV.	DATE	DESCRIPTION	ECO	BY	C'H'K.
A	9/12/2008 9:11:00 AM	NEW DRAWING	16715	TRF	MAC



NOTES:

- UNLESS OTHERWISE SPECIFIED ALL DIMENSIONS SHOWN ARE IN INCHES WITH MILLIMETER EQUIVALENTS IN BRACKETS [].
- SPECIFICATIONS:
 DEVELOPED FORCE: 12 TONS [106 kN]
 WEIGHT: 20.6 lbs [9.3 Kg]
 OPERATING PRESSURE: 1,500-2,500 psi [10.3-17.7 MPa]
 FLOW RATE: 3-9 GPM [11 - 34 LPM]
 MAX. BACK PRESSURE: 250 psi [1.7 MPa]
- ACCEPTS STANDARD 'U' DIES.
- ACCESSORIES:

CAT. NO.	DESCRIPTION
LPHTHOSNCR666680P.....	DIRECT CONNECT 8' NON-CONDUCTIVE HOSE TEST
LPHTHOSNCR6666100P.....	DIRECT CONNECT 10' NON-CONDUCTIVE HOSE TEST
LPHTHOSNCR66668.....	8' NON-CONDUCTIVE HOSE TEST
LPHTHOSNCR666610.....	10' NON-CONDUCTIVE HOSE TEST
LPHTHTMANOSE66.....	MALE COUPLER 3/8" HTMA
LPHTHTMABODY66.....	FEMALE COUPLER 3/8" HTMA
LPHTADPSMFOP66.....	SWIVEL ADAPTER

TO ORDER BURNDY® PRODUCTS CALL		LPHY750XT KOMPRESSOR	
UNITED STATES: 1-800-346-4175 (LONDONDERRY, NH)		ITEM NO: 10092130	CAT. NO: LPHY750XT
CANADA: 1-800-361-6975 (QUEBEC) 1-800-387-6487 (ALL OTHER PROVINCES)		DRAWN BY: T. FAUCHER 08/22/2008 CHECKER: M. CHIASSON 09/04/2008 DSN APPVL: M. CHIASSON 09/05/2008 MFG APPVL: S. GONYAW 09/08/2008 QA APPVL: J. AYER 09/11/2008 MKT APPVL: -- --	
FOR PRODUCT INFO: http://www.burndy.com		SCALE: 3:8	DRAWING NO: 10092132
		PROJECT #: 13546	REV: A
		DOCUMENT TYPE: Production	SHEET 1 OF 1
		REL LEVEL: Released	

REV: PE0200