

LSM □ 37 - 63" MICRO-ADJUSTABLE MOUNT



FUSION® SERIES

FEATURES

- 1 CONTROLZONE™ LEVELING**
Industry-first feature allows post-installation fine tuning of height and leveling.
- 2 CENTERLESS™ SHIFT**
Provides up to 17.5" (445 mm) of post-installation lateral shift - 8.75"(225 mm) left/right of uprights - for limitless centering capabilities.
- 3 CLICKCONNECT™**
Hear an audible click when the screen safely engages with the mount. A built-in cable stand provides easy access under the screen.
- 4 CUSTOMIZABLE ACCESSORY SYSTEM**
A full line of supporting accessories can be integrated with the mount, extending the same adjustment benefits to the entire configuration.
- 5 MULTIPLE INSTALLATION OPTIONS**
Can be installed on 12" (305 mm) on-centers up to 32" (813 mm).



SPECIFICATIONS

Depth from Wall	1.96" (50 mm)
Max Lateral Shift	17.5" (445 mm)
Dimensions (HxWxD)	16.5 x 34.44 x 1.96" (419 x 875 x 50 mm)
Max Mounting Pattern (H,W)	19.88" (505 mm) 34.25" (870 mm)
Weight Capacity	200 lbs (90.7 kg)
Color	Black

WHAT YOU NEED TO KNOW

OTHER PRODUCT OPTIONS



LSA
FUSION Series Wall Mount
- For TVs 37-63"

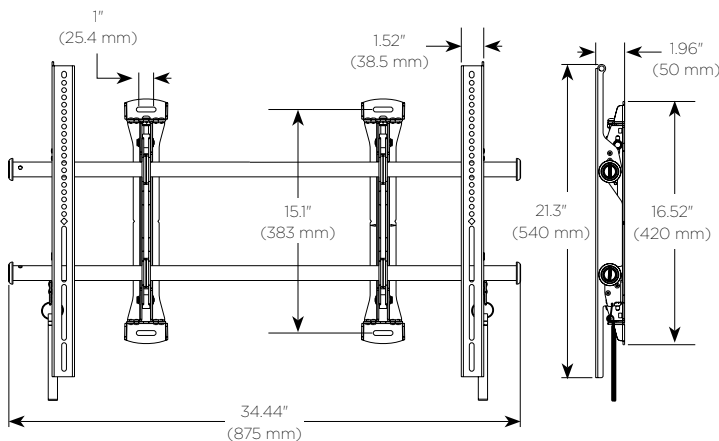


RLF2
FIT™ Series Low-Profile Hinge Mount
- For TVs 32-52"



RXF2
FIT™ Series Low-Profile Hinge Mount
- For TVs 40-63"

TECHNICAL DRAWINGS



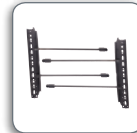
RECOMMENDED ACCESSORIES



FVS250 ■ 12" Video Conferencing Shelf - above



FCS100 ■ Single Component Shelf - below



FLR100 ■ Left/Right Speaker Adapter

For a complete list of FUSION accessories see pages **86 - 88**.