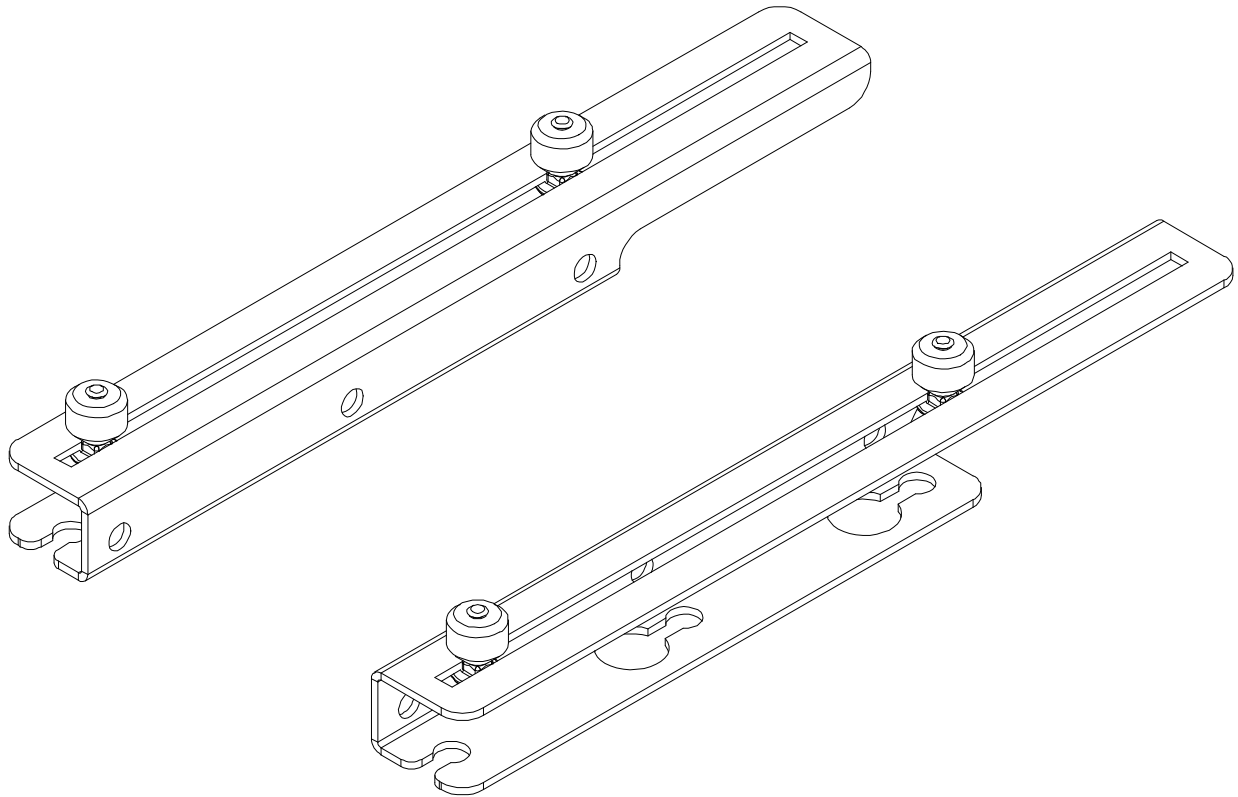

INSTALLATION INSTRUCTIONS



Lateral Shift Bracket Accessory

Touchboards

205 Westwood Ave, Long Branch, NJ 07740
Phone: 866-94 BOARDS (26273) / (732)-222-1511
Fax: (732)-222-7088 | E-mail: sales@touchboards.com

DISCLAIMER

Milestone AV Technologies, and its affiliated corporations and subsidiaries (collectively, "Milestone"), intend to make this manual accurate and complete. However, Milestone makes no claim that the information contained herein covers all details, conditions or variations, nor does it provide for every possible contingency in connection with the installation or use of this product. The information contained in this document is subject to change without notice or obligation of any kind. Milestone makes no representation of warranty, expressed or implied, regarding the information contained herein. Milestone assumes no responsibility for accuracy, completeness or sufficiency of the information contained in this document.

Chief® is a registered trademark of Milestone AV Technologies. All rights reserved.



WARNING: Use this mounting system only for its intended use as described in these instructions. Do not use attachments not recommended by the manufacturer.



WARNING: Never operate this mounting system if it is damaged. Return the mounting system to a service center for examination and repair.



WARNING: Do not use this product outdoors.

IMPORTANT ! : The LSB100 is designed to provide up to 3" lateral shift for projectors, and is used with the Chief Listed RPA Series projector mount.

--SAVE THESE INSTRUCTIONS--



IMPORTANT SAFETY INSTRUCTIONS!



WARNING: A WARNING alerts you to the possibility of serious injury or death if you do not follow the instructions.



CAUTION: A CAUTION alerts you to the possibility of damage or destruction of equipment if you do not follow the corresponding instructions.



WARNING: Failure to read, thoroughly understand, and follow all instructions can result in serious personal injury, damage to equipment, or voiding of factory warranty! It is the installer's responsibility to make sure all components are properly assembled and installed using the instructions provided.



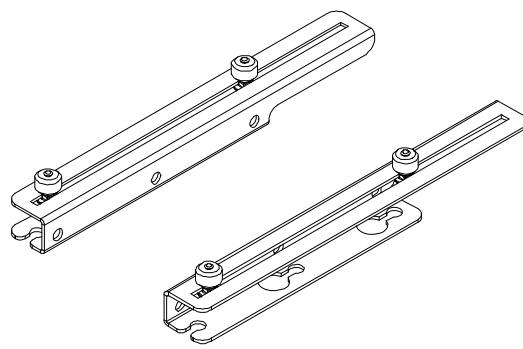
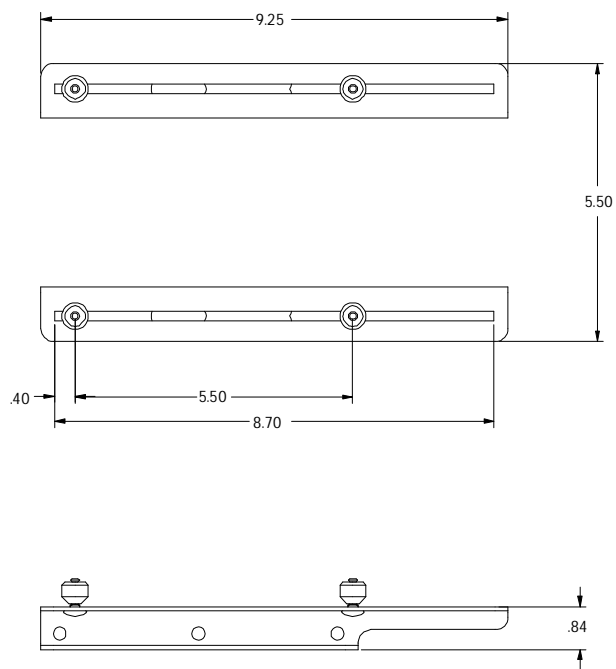
WARNING: Failure to provide adequate structural strength for this component can result in serious personal injury or damage to equipment! It is the installer's responsibility to make sure the structure to which this component is attached can support five times the combined weight of all equipment. Reinforce the structure as required before installing the component.



WARNING: Exceeding the weight capacity can result in serious personal injury or damage to equipment! It is the installer's responsibility to make sure the combined weight of all components attached to the LSB100 does not exceed 50 lbs (22.68 kg).






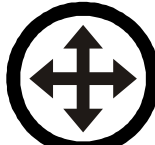






- The weight capacity of the LSB100 may be LIMITED to the lowest weight capacity of any other component or accessory used within the mounting system.

DIMENSIONS

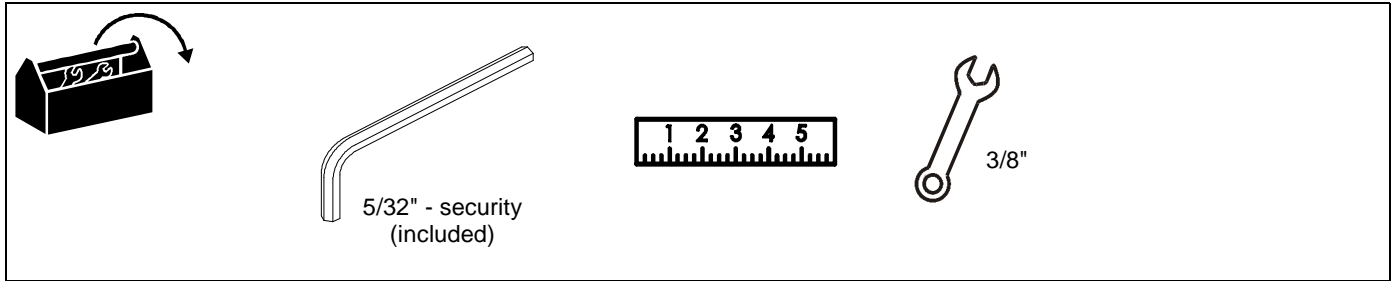


DIMENSIONS: INCHES

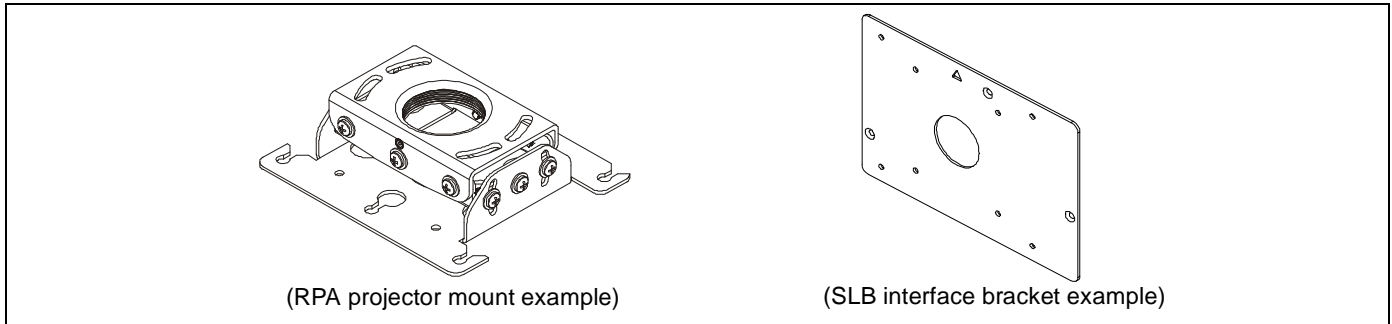
LEGEND

	<p>Tighten Fastener</p> <p>Apretar elemento de fijación</p> <p>Befestigungsteil festziehen</p> <p>Apertar fixador</p> <p>Serrare il fissaggio</p> <p>Bevestiging vastdraaien</p> <p>Serrez les fixations</p>		<p>Pencil Mark</p> <p>Marcar con lápiz</p> <p>Stiftmarkierung</p> <p>Marcar com lápis</p> <p>Segno a matita</p> <p>Potloodmerkten</p> <p>Marquage au crayon</p>
	<p>Measure</p> <p>Medir</p> <p>Messen</p> <p>Medir</p> <p>Misurare</p> <p>Meten</p> <p>Mesurer</p>		<p>Drill Hole</p> <p>Perforar</p> <p>Bohrloch</p> <p>Fazer furo</p> <p>Praticare un foro</p> <p>Gat boren</p> <p>Percez un trou</p>
	<p>Phillips Screwdriver</p> <p>Destornillador Phillips</p> <p>Kreuzschlitzschraubendreher</p> <p>Chave de fendas Phillips</p> <p>Cacciavite a stella</p> <p>Kruiskopschroevendraaier</p> <p>Tournevis à pointe cruciforme</p>		<p>Adjust</p> <p>Ajustar</p> <p>Einstellen</p> <p>Ajustar</p> <p>Regolare</p> <p>Afstellen</p> <p>Ajuster</p>
	<p>By Hand</p> <p>A mano</p> <p>Von Hand</p> <p>Com a mão</p> <p>A mano</p> <p>Met de hand</p> <p>À la main</p>		<p>Optional</p> <p>Opcional</p> <p>Optional</p> <p>Opcional</p> <p>Opzionale</p> <p>Optie</p> <p>En option</p>
	<p>Hex-Head Wrench</p> <p>Llave de cabeza hexagonal</p> <p>Sechskantschlüssel</p> <p>Chave de cabeça sextavada</p> <p>Chiave esagonale</p> <p>Zeskantsleutel</p> <p>Clé à tête hexagonale</p>		<p>Security Wrench</p> <p>Llave de seguridad</p> <p>Sicherheitsschlüssel</p> <p>Chave de segurança</p> <p>Chiave di sicurezza</p> <p>Veiligheidssleutel</p> <p>Clé de sécurité</p>
	<p>Hammer</p> <p>Martillo</p> <p>Hammer</p> <p>Martelo</p> <p>Martello</p> <p>Hamer</p> <p>Marteau</p>		<p>Open-Ended Wrench</p> <p>Llave de boca</p> <p>Gabelschlüssel</p> <p>Chave de bocas</p> <p>Chiave a punte aperte</p> <p>Steeksleutel</p> <p>Clé à fourche</p>

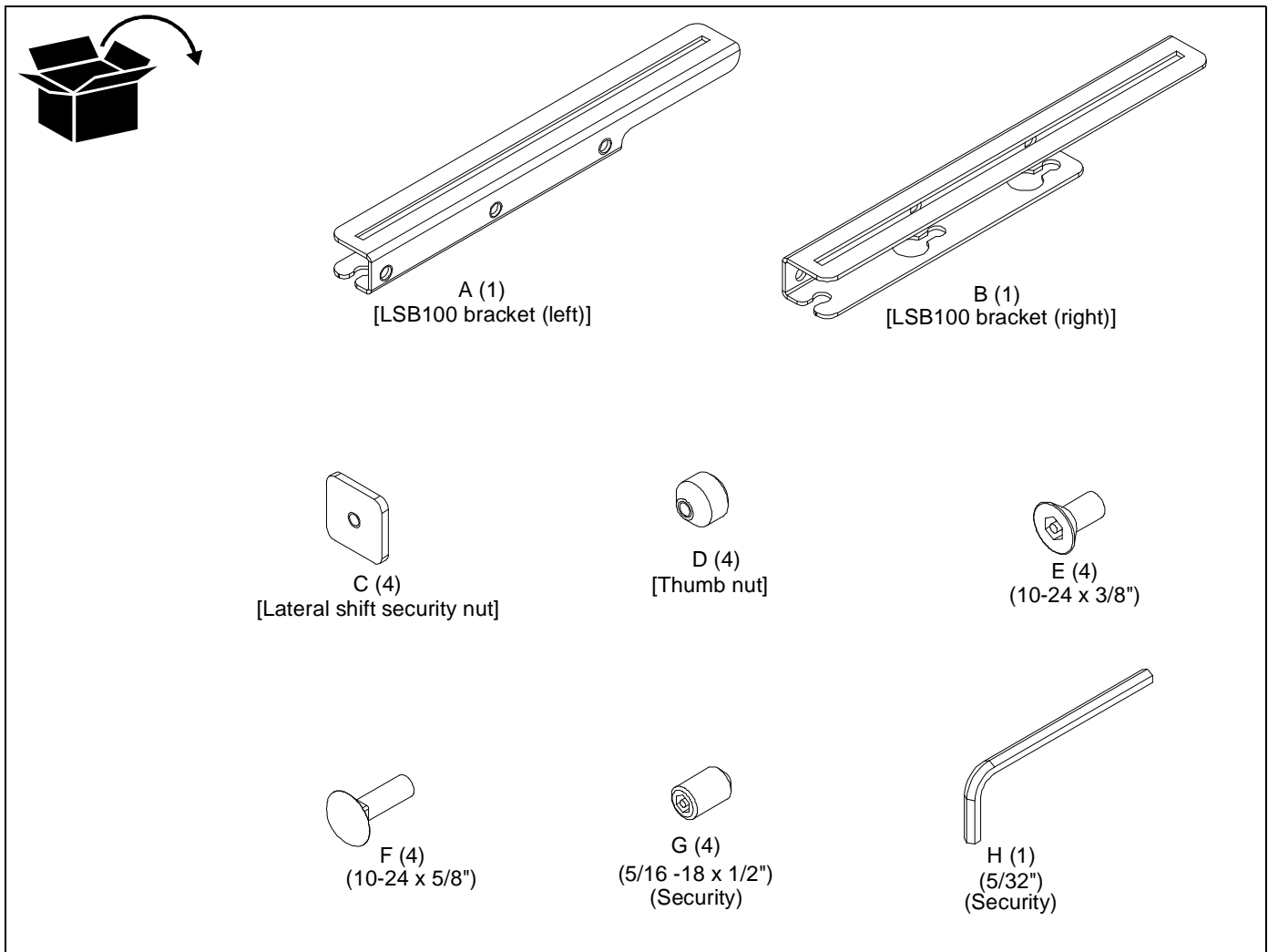
TOOLS REQUIRED FOR INSTALLATION



PARTS REQUIRED (NOT INCLUDED)



PARTS



ASSEMBLY AND INSTALLATION



WARNING: Failure to provide adequate structural strength for this component can result in serious personal injury or damage to equipment! It is the installer's responsibility to make sure the structure to which this component is attached can support five times the combined weight of all equipment. Reinforce the structure as required before installing the component.

IMPORTANT ! : The LSB100 (A) is designed to be used with Chief Listed RPA Series projector mounts (not included) to provide up to 3" lateral shift of the projector.

1. Loosely install four 10-24 thumb nuts (D) with four 10-24 x 5/8" carriage bolts (F) through slider slots on LSB brackets (A) and (B). Do not tighten. (See Figure 1)

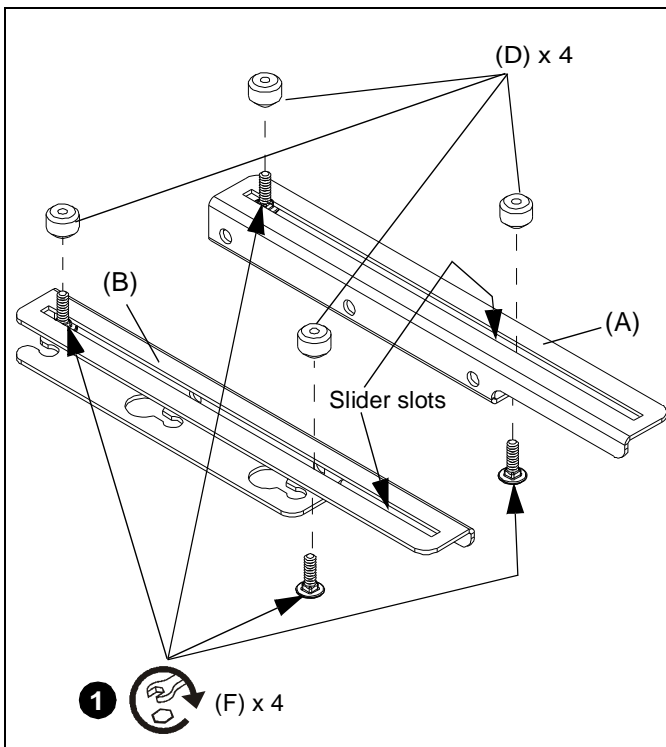


Figure 1

2. Ensure thumb nuts of the SLB interface bracket (not included) are installed following instructions included with SLB kit. (See Figure 2)
3. Line up keyhole slots of both LSB brackets (A) and (B) with SLB interface bracket thumb nuts (not included). (See Figure 2)

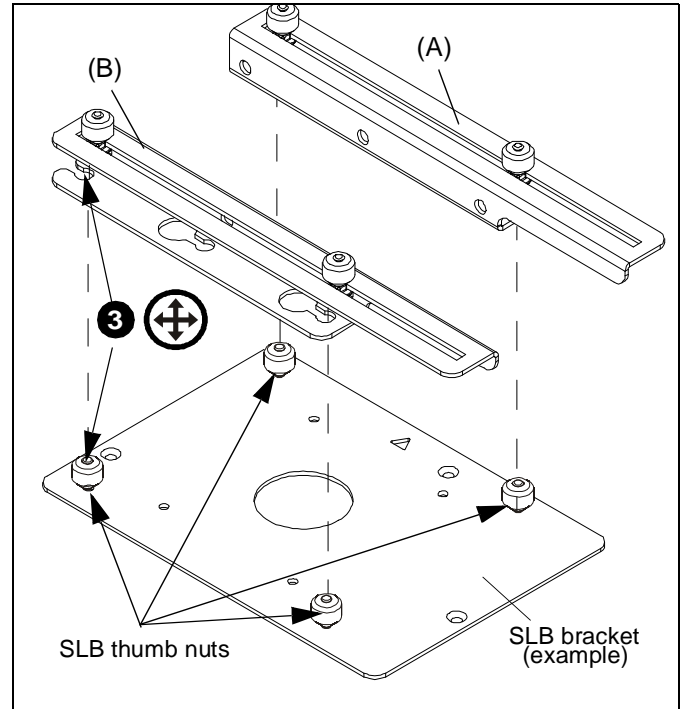


Figure 2

4. Slide LSB brackets (A) and (B) so that thumb nuts on SLB interface bracket rest in the narrow end of key slots on LSB brackets. (See Figure 3)

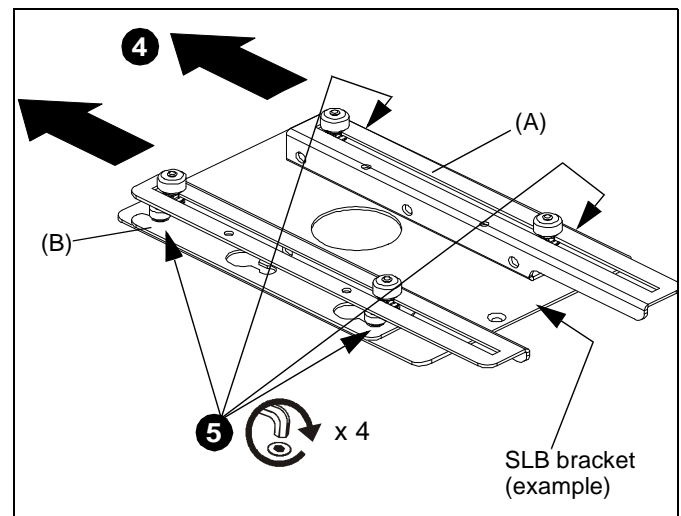


Figure 3

5. Secure LSB100 brackets (A) and (B) onto SLB interface bracket by tightening SLB thumb nuts. (See Figure 3)

Installing LSB100 to RPA Projector Mount

1. Orient RPA projector mount (not included) with LSB100 brackets (A) and (B) on the SLB interface bracket (not included).
2. Loosen (but do not remove) thumb nuts on (A) and (B) brackets.
3. Align the thumb nuts on (A) and (B) brackets with the locating slots on the RPA projector mount. (See Figure 4)
4. Slide RPA onto LSB100 brackets (A) and (B). (See Figure 4)

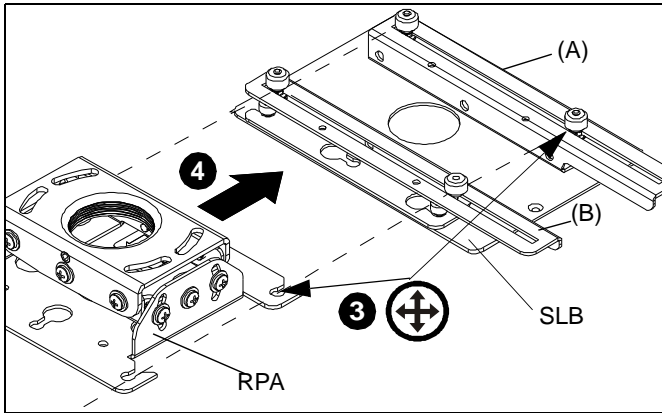


Figure 4

5. Secure LSB100 thumb nuts (D) in slots on RPA and tighten. (See Figure 5)

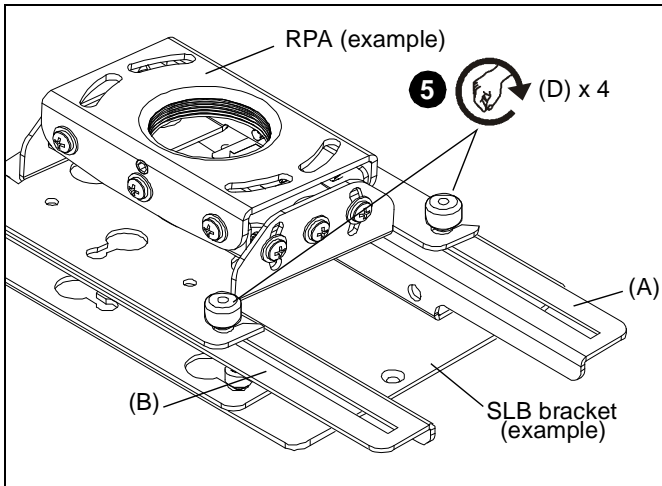


Figure 5

(Optional) Adding Security to the Lateral Shift

The LSB100 includes security hardware for additional security. Use the following instructions for this option.

1. Replace the four 10-24 thumb nuts (D) and the four 10-24 x 5/8" carriage bolts (F) with four lateral shift security nuts (C) and four 10-24 x 3/8" flathead security screws (E). (See Figure 6)

2. Install four 5/16" security set screws (G) into inner holes on LSB100 brackets (A) and (B). (See Figure 6)

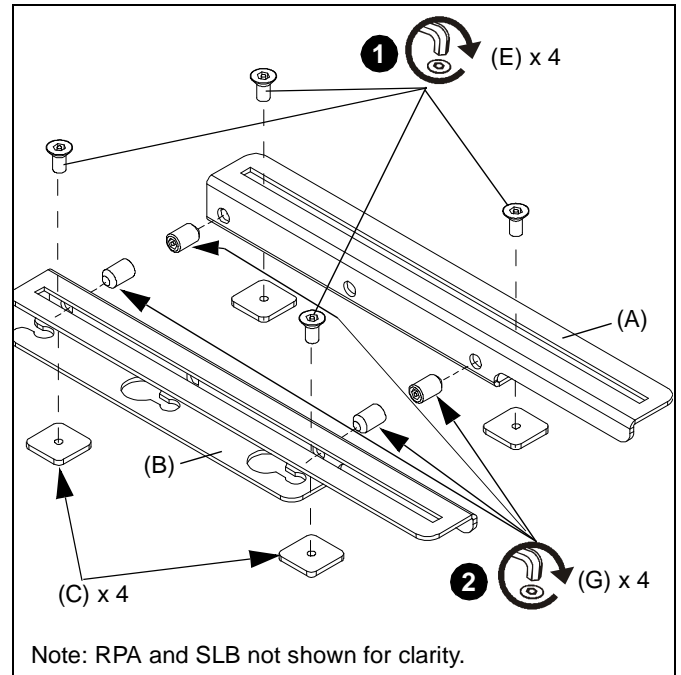


Figure 6

Shifting RPA on LSB100 Bracket

1. Loosen two 10-24 x 3/8" flathead security screws (E) on each LSB100 bracket (A) and (B). (See Figure 7)
2. Shift RPA left to right as needed.
3. Tighten all four 10-24 x 3/8" flathead security screws (E). (See Figure 7)

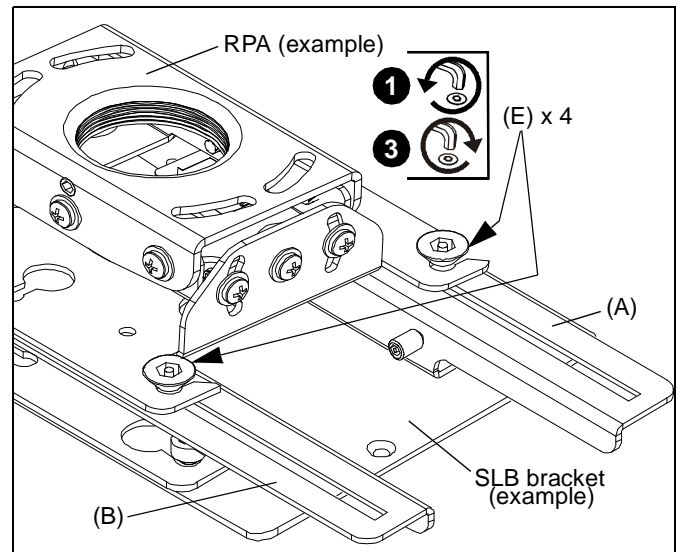


Figure 7



Our Mounts. **Your Vision.**

Chief, a products division of
Milestone AV Technologies

8800-002529 Rev00
©2014 Milestone AV Technologies
www.chiefmfg.com
03/14

USA/International	A 6436 City West Parkway, Eden Prairie, MN 55344
	P 800.582.6480 / 952.225.6000
	F 877.894.6918 / 952.894.6918
Europe	A Franklinstraat 14, 6003 DK Weert, Netherlands
	P +31 (0) 495 580 852
	F +31 (0) 495 580 845
Asia Pacific	A Office No. 1 on 12/F, Shatin Galleria 18-24 Shan Mei Street Fotan, Shatin, Hong Kong
	P 852 2145 4099
	F 852 2145 4477

