

LUCERA

Under Cabinet Light

Model LUCERA-24-SLV

Model LUCERA-36-SLV

LUCERA Rev A 4/17

Multiple Unit Models:

LUCERA-24X2-SLV

LUCERA-24X3-SLV

LUCERA-24X4-SLV

LUCERA-36X2-SLV

LUCERA-36X3-SLV

LUCERA-36X4-SLV


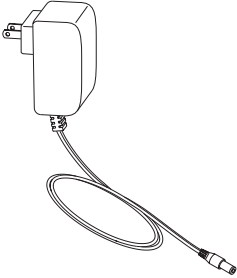
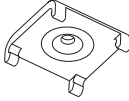
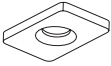

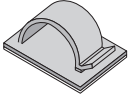


INSTALLATION AND USE

LUCERA

PLEASE REVIEW these instructions before beginning the installation. Check that all parts needed were provided with your order. Contact your supplier if any parts are missing. Do not discard the packaging until satisfied that the product operates to your satisfaction.

PARTS PROVIDED

Light Fixture (1)  20.1" or 31.7"		
Power Supply (1) 	Magnet Clip (2) 	Steel Plate (2) 
	Flathead Screw (2)  #8-32x1/2	Cord Clip (2) 

NOTE: Orders of multiple unit models include one 24" jumper cord for each additional light.

CAUTION: This install requires a power drill. This is **not** a hand tool install.

ADDITIONAL TOOLS REQUIRED (if using steel plates)

- Power Drill
- 1/8" Phillips Screw Driver Bit
- #2 Phillips Screw Driver Bit

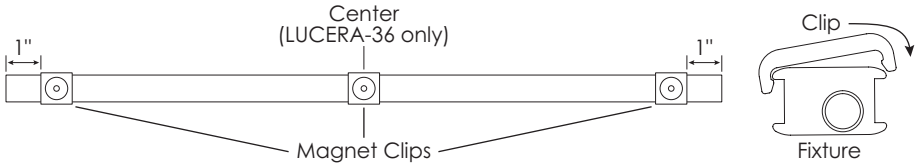
Specifications

- Two lengths: 24", 36" (nominal)
- Color temperature: 3500K
- Power consumption: 24"=6.3W, 36"=10.3W
- CRI: 85
- Lumens: 24"=250, 36"=420
- Lamp life: 50,000 hours
- Continuous dimmer
- 9 ft. power cord
- Occupancy sensor available

See **IMPORTANT SAFETY PRECAUTIONS** on page 6.

STEP 1: Attach Magnet Clips

- Attach magnet clips to the top of the light fixture, 1" from each end. With LUCERA-36 models, attach the third clip in the center of the fixture.



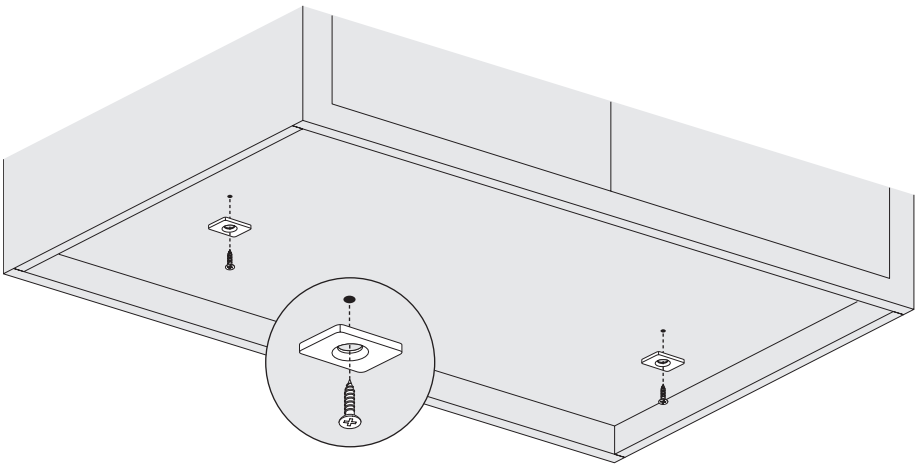
STEP 2: Attach Steel Plates (If Bottom of Cabinet Is Not Steel)

The steel plates provide a metallic surface for magnetic attachment to wood cabinets.

- Mark locations where to attach steel plates to the underside of the cabinet. Match the magnet clip positions on the light fixture.
- Drill $\frac{1}{8}$ " pilot holes in the marked locations.

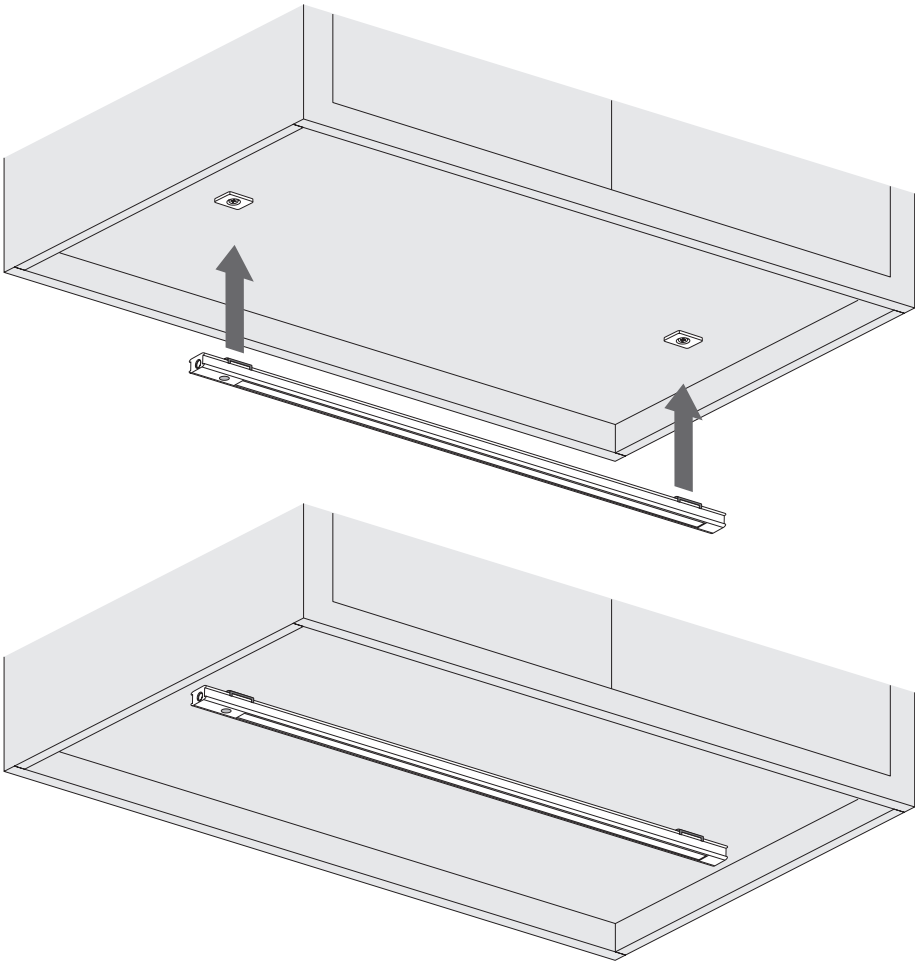
CAUTION: Be careful not to drill all the way through the underside of the cabinet.

- Attach the steel plates with the $\frac{1}{2}$ " wood screws and a Phillips screwdriver.



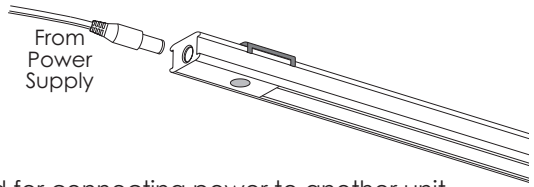
STEP 3: Magnetically Attach the Light Fixture

- Attach the fixture to the steel underside of a metal cabinet or to the steel clips attached to the underside of a wood cabinet.
 - Hold the fixture on the outside ends and move it slowly into position.
 - Take care not to allow your fingers to come between the fixture and the steel surface during installation.
 - *With wood cabinets:* Adjust the position of the magnet clips on the light fixture to better align with the steel plates, if necessary.



STEP 4: Connect the Power Supply

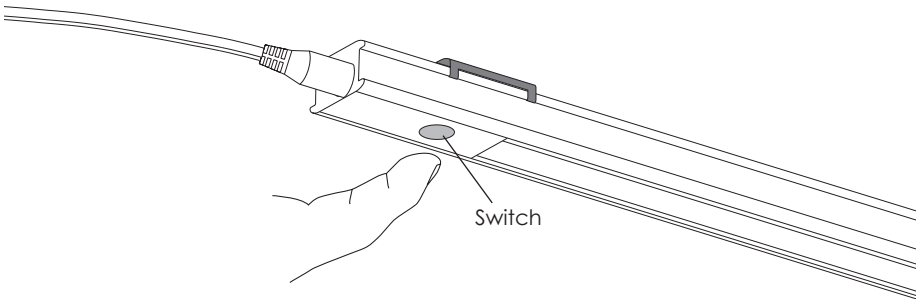
- Plug the jack from the power supply into the light fixture.
 - The jack can be plugged into either end of the light fixture.
 - The unused end can be used for connecting power to another unit using a jumper cord in a daisy-chain configuration. Up to four units may be daisy-chained.



- Plug the power supply into a standard 115VAC outlet.

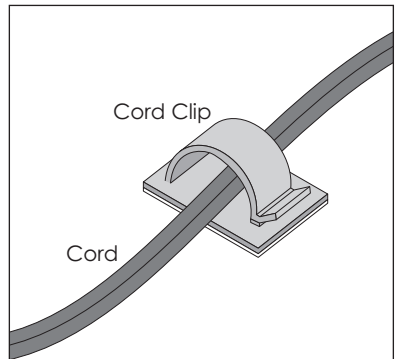
STEP 5: Operate the Light

- Tap the switch to power on or off.
- Press and hold the switch to cycle through all brightness levels.



STEP 6: Manage the Power Supply Cords and/or Jumper Cords

- Adhere cord clips to the underside of the cabinet and other surfaces as needed to organize the cords neatly.



IMPORTANT SAFETY PRECAUTIONS

Read all safety precautions and installation instructions carefully before installing or servicing this fixture. Failure to comply with these instructions could result in potentially fatal electric shock and/or property damage.

If wiring is required, it is recommended that a qualified electrician perform all wiring. This fixture must be wired in accordance with all national and local electrical codes.

Do not handle any energized fixture or attempt to energize any fixture with wet hands or while standing on a wet or damp surface or in water.

Make sure the power source conforms to the requirements of the fixture.

Protect the power cord from coming into contact with sharp objects, oil, grease, hot surfaces, or chemicals. Replace or repair damaged or worn cords immediately.

This fixture is intended for general indoor lighting only.



800.833.3746 | esiergo.com