

### Tools Required:

Phillips Head  
Screwdriver



Drill



- Use a 1/4" drill bit to create pilot holes for the included anchors.
- Use a 1/8" drill bit to create pilot holes for screwing directly into studs.

### Parts List - WGB4836M & WGB6040M:



A x 6



B x 6



C x 2



D x 2



E x 2



F x 1



A x 9



B x 9



C x 3



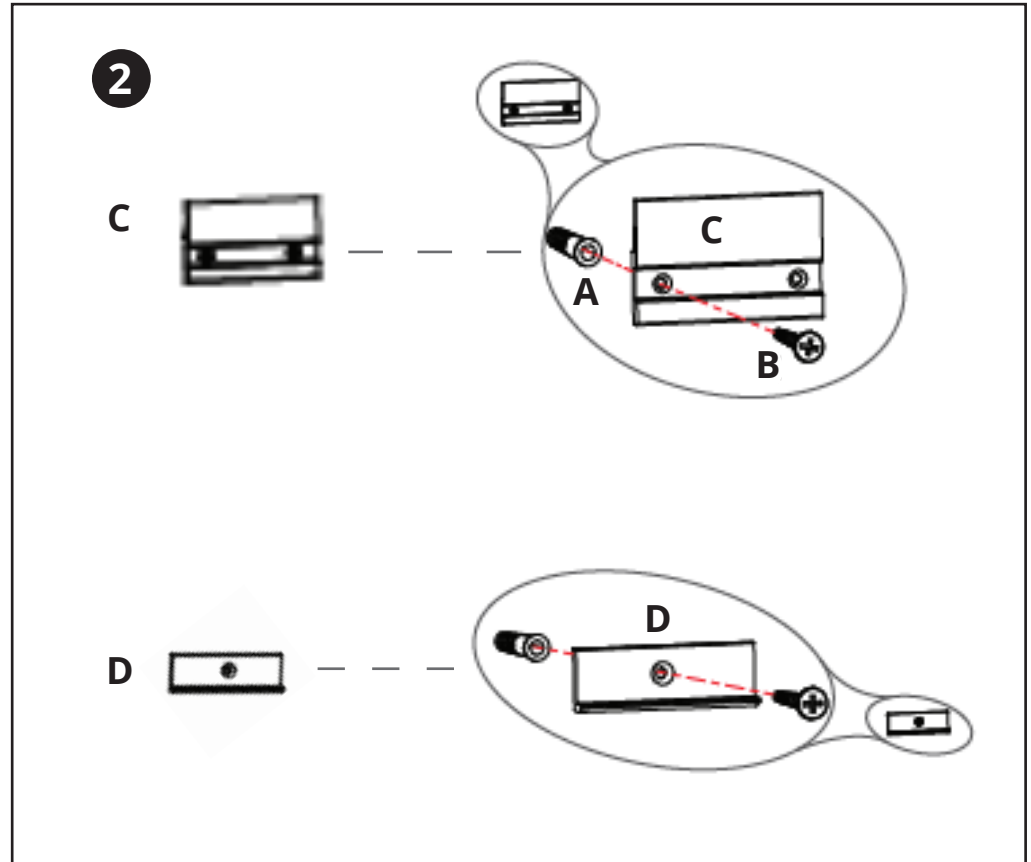
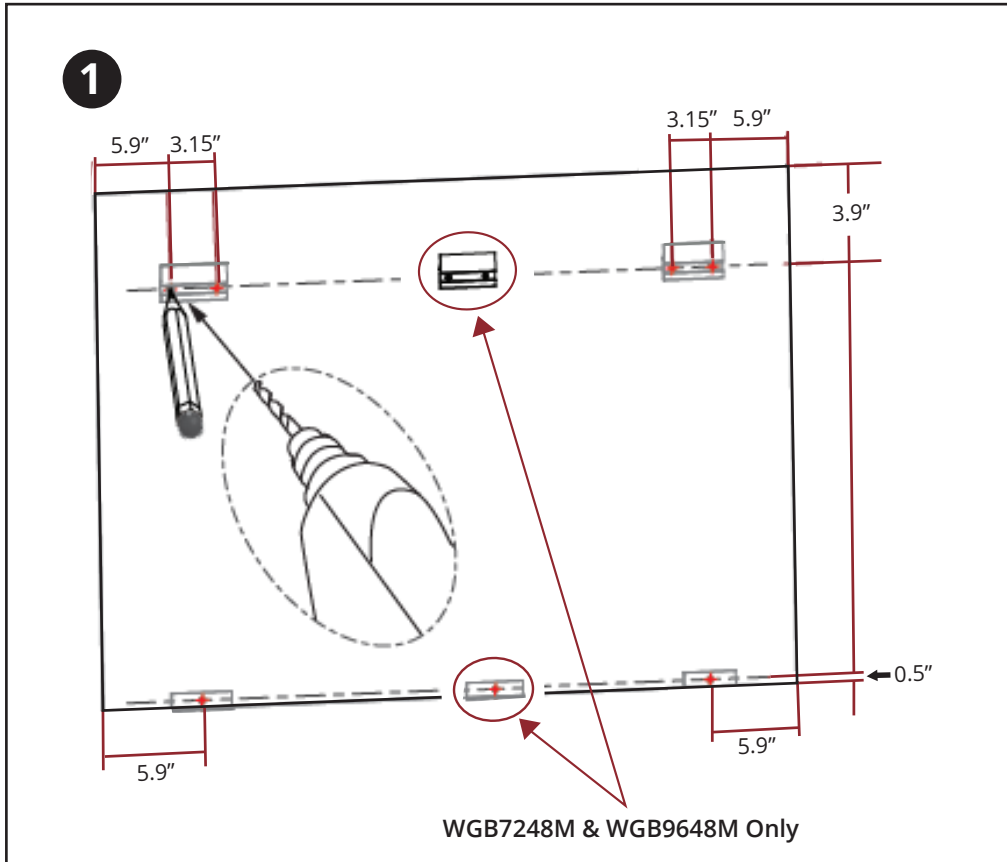
D x 3



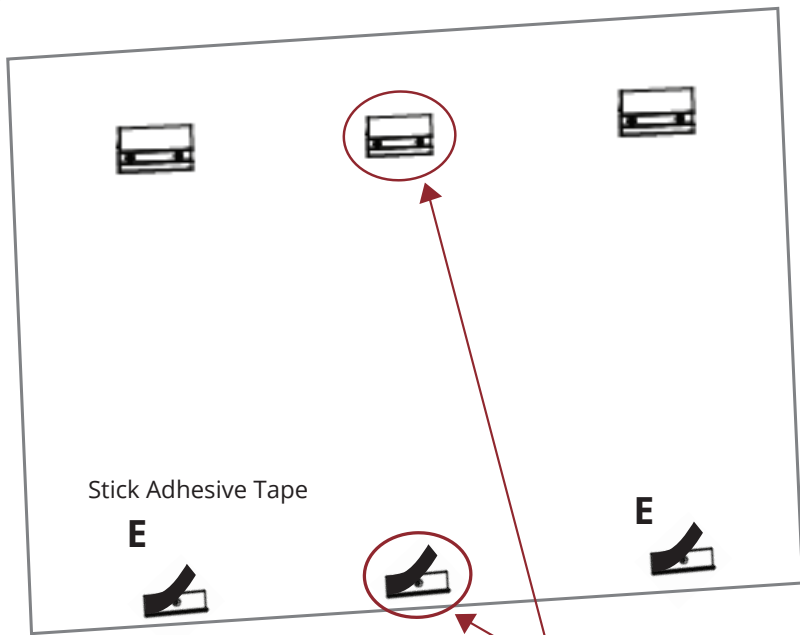
E x 3



F x 1



3



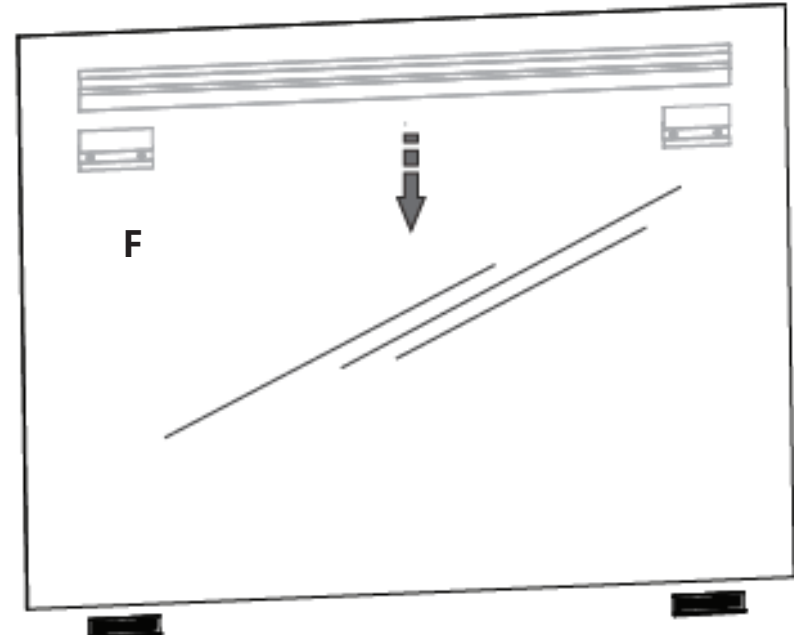
Stick Adhesive Tape

E

E

WGB7248M & WGB9648M Only

4



F