

BEZ 700-IP

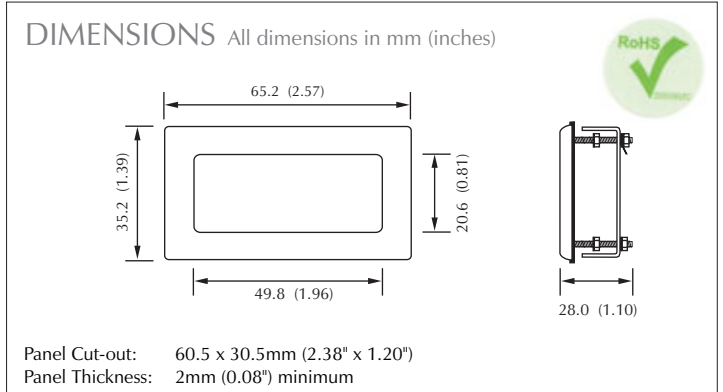
IP67/NEMA 4X Rated Bezel

When used in conjunction with certain panel mounted 700 series instruments (purchased separately), this bezel offers the assembly an IP67/NEMA 4X rating from the front. The screw fixings allow for a quick and easy assembly of the module and bezel in the panel. A robust and attractive alloy construction gives the product a professional finish. BEZ 700-IP is ideally suited for applications where the ingress of moisture or particles poses a problem.

- IP67 / NEMA 4X Rated
- Screw Fixing
- Glass Window
- Robust Construction
- Attractive Appearance

COMPATIBILITY

- DPM 742-BL
- DPM 750S-BL



LASCAR ELECTRONICS LTD.
MODULE HOUSE
WHITEPARISH
WILTSHIRE SP5 2SJ
UK
TEL: +44 (1794) 884567
FAX: +44 (1794) 884616
E-mail: sales@lascar.co.uk

LASCAR ELECTRONICS INC.
4258 WEST 12th STREET,
ERIE,
PA 16505,
USA
TEL: +1 (814) 835 0621
FAX: +1 (814) 838 8141
E-mail: us-sales@lascarelectronics.com

LASCAR ELECTRONICS (HK) LIMITED
8th FLOOR, CHINA AEROSPACE CENTRE,
143 HOI BUN ROAD,
KWUN TONG, KOWLOON,
HONG KONG
TEL: +852 2389 6502
FAX: +852 2389 6535
E-mail: saleshk@lascar.com.hk



www.lascarelectronics.com

No.: 695 - Page 1 of 2

Specifications liable to change without prior warning

BEZ 700-IP

Issue 5

06/2010

S.L.

BEZ 700-IP

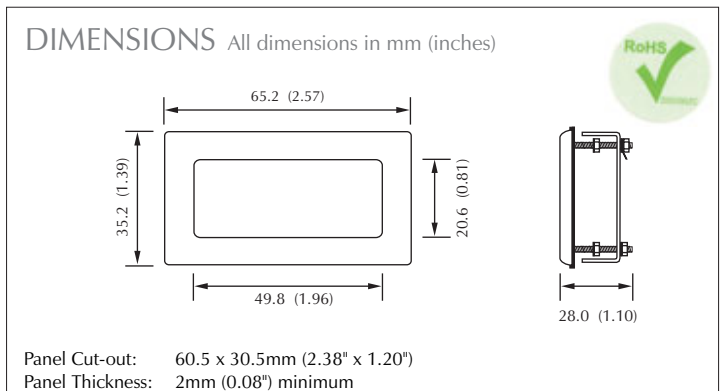
IP67/NEMA 4X Rated Bezel

When used in conjunction with certain panel mounted 700 series instruments (purchased separately), this bezel offers the assembly an IP67/NEMA 4X rating from the front. The screw fixings allow for a quick and easy assembly of the module and bezel in the panel. A robust and attractive alloy construction gives the product a professional finish. BEZ 700-IP is ideally suited for applications where the ingress of moisture or particles poses a problem.

- IP67 / NEMA 4X Rated
- Screw Fixing
- Glass Window
- Robust Construction
- Attractive Appearance

COMPATIBILITY

- DPM 742-BL
- DPM 750S-BL



LASCAR ELECTRONICS LTD.
MODULE HOUSE
WHITEPARISH
WILTSHIRE SP5 2SJ
UK
TEL: +44 (1794) 884567
FAX: +44 (1794) 884616
E-mail: sales@lascar.co.uk

LASCAR ELECTRONICS INC.
4258 WEST 12th STREET,
ERIE,
PA 16505,
USA
TEL: +1 (814) 835 0621
FAX: +1 (814) 838 8141
E-mail: us-sales@lascarelectronics.com

LASCAR ELECTRONICS (HK) LIMITED
8th FLOOR, CHINA AEROSPACE CENTRE,
143 HOI BUN ROAD,
KWUN TONG, KOWLOON,
HONG KONG
TEL: +852 2389 6502
FAX: +852 2389 6535
E-mail: saleshk@lascar.com.hk



www.lascarelectronics.com

No.: 695 - Page 1 of 2

Specifications liable to change without prior warning

BEZ 700-IP

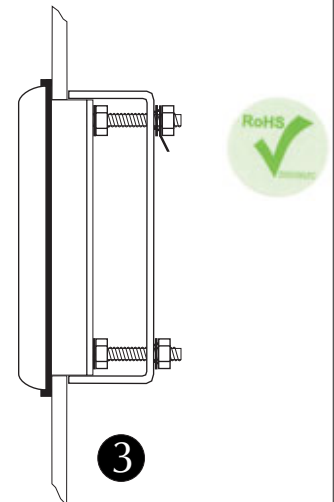
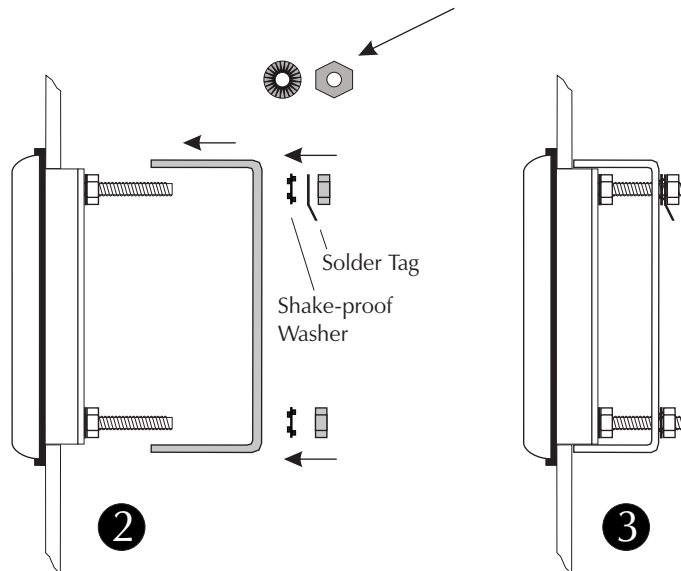
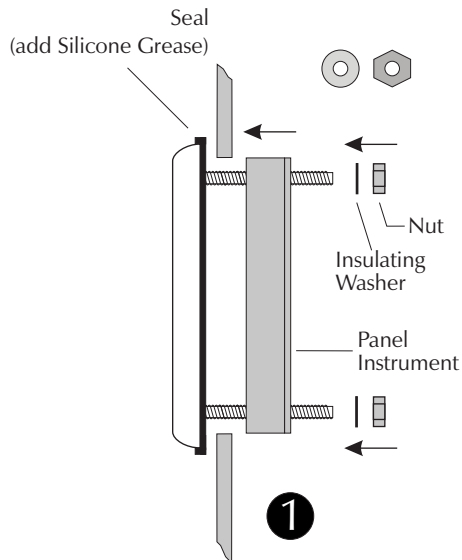
Issue 5

06/2010

S.L.

MOUNTING METHOD

To ensure integrity of waterproofing, avoid over tightening nuts retaining bezel clamp bracket, as this can distort the seal.

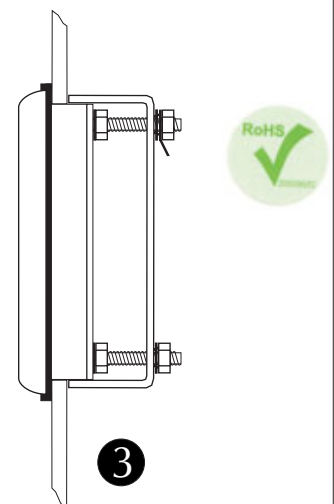
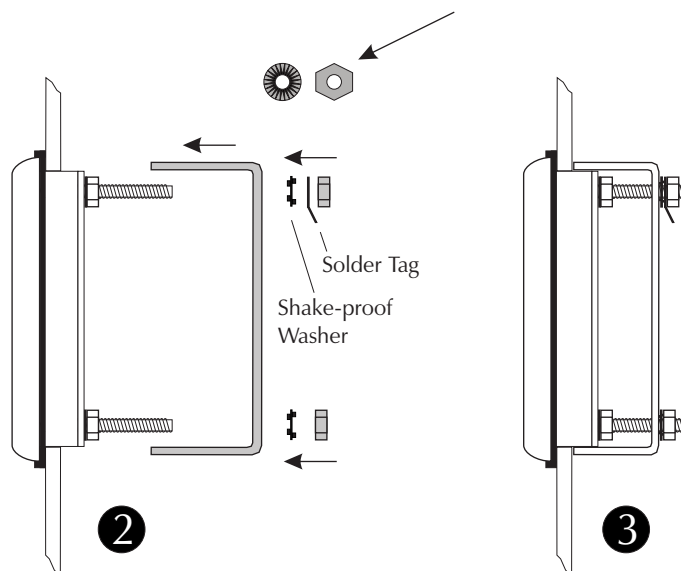
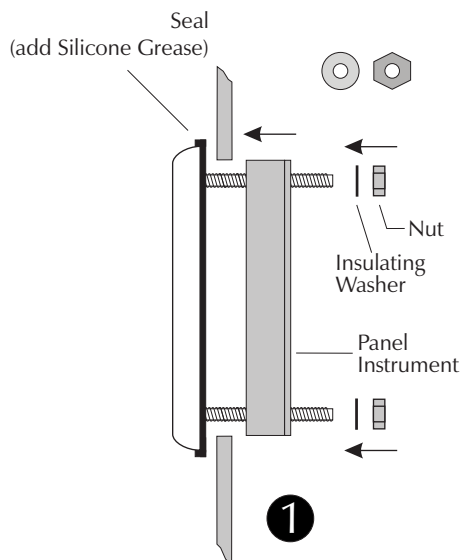


Notes: On some panel instruments it may be easier to configure links and calibrate the product prior to fitting the instrument and BEZ 700-IP into the panel. Always observe safety warnings on the Panel Instrument datasheet. Do not allow connections to touch the metal bezel, as this may adversely affect product safety or stop the panel instrument from functioning correctly. A solder tag is provided. However, it is the responsibility of the installer to ensure that any earth bonding complies with local regulations.



MOUNTING METHOD

To ensure integrity of waterproofing, avoid overtightening nuts retaining bezel clamp bracket, as this can distort the seal.



Notes: On some panel instruments it may be easier to configure links and calibrate the product prior to fitting the instrument and BEZ 700-IP into the panel. Always observe safety warnings on the Panel Instrument datasheet. Do not allow connections to touch the metal bezel, as this may adversely affect product safety or stop the panel instrument from functioning correctly. A solder tag is provided. However, it is the responsibility of the installer to ensure that any earth bonding complies with local regulations.

