



Instruction Manual

CP150 Current Probe

CP150 Current Probe **Instruction Manual**

January 2013





700 Chestnut Ridge Road
Chestnut Ridge, NY, 10977-6499
Tel: (845) 425-2000
Fax: (845) 578 5985
teledynelecroy.com

© 2013 Teledyne LeCroy, Inc. All rights reserved.

Unauthorized duplication of Teledyne LeCroy documentation materials other than for internal sales and distribution purposes is strictly prohibited. However, clients are encouraged to distribute and duplicate Teledyne LeCroy documentation for their own internal educational purposes.

WaveRunner, WavePro, and Teledyne LeCroy are registered trademarks of Teledyne LeCroy, Inc. Windows is a registered trademark of Microsoft Corporation. Other product or brand names are trademarks or requested trademarks of their respective holders. Information in this publication supersedes all earlier versions. Specifications are subject to change without notice.

Warranty

Teledyne Lecroy warrants this oscilloscope accessory for normal use and operation within specification for a period of one year from the date of shipment. Spare parts, replacement parts and repairs are warranted for 90 days.

In exercising its warranty, Teledyne Lecroy, at its option, will either repair or replace any assembly returned within its warranty period to the Customer Service Department or an authorized service center. However, this will be done only if the product is determined by Teledyne LeCroy's examination to be defective due to workmanship or materials, and the defect is not caused by misuse, neglect, accident, abnormal conditions of operation, or damage resulting from attempted repair or modifications by a non-authorized service facility.

The customer will be responsible for the transportation and insurance charges for the return of products to the service facility. Teledyne Lecroy will return all products under warranty with transportation charges prepaid.

This warranty replaces all other warranties, expressed or implied, including but not limited to any implied warranty of merchantability, fitness or adequacy for any particular purposes or use. Teledyne Lecroy shall not be liable for any special, incidental, or consequential damages, whether in contract or otherwise.

922175-00 Rev A

TABLE OF CONTENTS

Safety Instructions	1
Symbols	1
Precautions	1
Operating Environment	2
Overview	3
Description	3
Key Features.....	3
Accessories.....	3
Operation.....	4
Precautions	4
Connecting the Probe to the Test Instrument.....	4
Connecting the Probe to the Test Circuit	4
Operation with a Teledyne LeCroy Oscilloscope	5
Auto Zero	5
Degauss Probe	5
Care and Maintenance	6
Cleaning.....	6
Calibration Interval	6
Service Strategy.....	6
Troubleshooting	6
Returning a Defective Probe	7
Performance Verification	8
Test Equipment Required	8
Preliminary Procedure.....	9
Functional Check	9
Check LF Accuracy.....	10
Adjustment Procedure.....	11
Test Equipment Required	11

CP150 Current Probe

Preliminary Procedure.....	12
Adjust LF Accuracy	12
Specifications	14
Nominal Characteristics	14
Warranted Characteristics.....	14
Typical Characteristics	14
Environmental Characteristics	15
Physical Characteristics	15
Graphs.....	16
Certifications.....	17
EMC Compliance	17
EC Declaration of Conformity - EMC	17
Australia & New Zealand Declaration of Conformity—EMC	17
Safety Compliance	18
EC Declaration of Conformity – Low Voltage.....	18
Environmental Compliance	18
End-Of-Life Handling	18
Restriction of Hazardous Substances (RoHS).....	18
ISO Certification.....	18
Contact Teledyne LeCroy.....	19
Appendix A.....	20
Performance Verification Test Record	20
Equipment Used	20
CP150 Test Record	20

Safety Instructions

This section contains instructions that must be observed to keep this oscilloscope accessory operating in a correct and safe condition. You are required to follow generally accepted safety procedures in addition to the precautions specified in this section.

The overall safety of any system incorporating this accessory is the responsibility of the assembler of the system.

Symbols

These symbols may appear on the probe body or in this manual to alert you to important safety considerations.



WARNING. High Voltage, risk of electric shock.



CAUTION. Potential for damage to probe or instrument it is connected to. Attend to the accompanying information to protect against personal injury or damage. Do not proceed until conditions are fully understood and met.



ELECTROSTATIC DISCHARGE (ESD) HAZARD. The probe is susceptible to damage if anti-static measures are not taken.



DOUBLE INSULATION



PROTECTIVE (EARTH) TERMINAL

Precautions

- **Connect and disconnect properly.** Connect probe to the measurement instrument before connecting the test leads to a circuit/signal being tested.
- **Use only within operational environment listed.** Do not use in wet or explosive atmospheres.
- **Use indoors only.**
- **Keep product surfaces clean and dry.**
- **Be careful with sharp tips.** The tips may cause bodily injury if not handled properly.
- **Do not operate with suspected failures.** Do not use the probe if any part is damaged. Cease operation immediately and sequester the probe from inadvertent use.

CP150 Current Probe

- **Be careful not to damage the insulation surface** when making measurements.
- **Never install or remove the probe on bare conductors which are energized.** The transformer core and shield are grounded but not insulated and may contact the conductor when the locking lever is open.
- To avoid short circuits and accidents that could result in injury or death, use the CP150 current probe only with conductors carrying 300 V or less.
- To prevent short circuits and electric shock when conductors being measured carry less than 600 V (CAT II) or 300 V (CAT III) but more than the safe voltage level (SELV-E) make sure that the conductors to be measured are insulated with material conforming to:
 - Overvoltage Category III - Basic insulation requirement for working voltage of 300 V
 - Pollution degree 2

Operating Environment

The accessory is intended for indoor use and should be operated in a clean, dry environment. Before using this product, ensure that its operating environment is maintained within these parameters:

Temperature: 0° to 40° C

Humidity: ≤ 80% relative humidity (non-condensing)

Altitude: up to 2000 m (6562 feet)

Overview

Description

The CP150 uses a combination of Hall effect and transformer technology which enables measurements to be made on DC, AC and impulse currents. It has a 10 MHz bandwidth and is designed to measure continuous currents up to 150 Amp.

The probe can be used with a WaveRunner, LC, and WavePro series oscilloscope with firmware 4.3.0.0 or higher. With the ProBus interface, the CP150 becomes an integral part of the oscilloscope. The bandwidth limit, auto zero and degauss functions are all controlled from the oscilloscope's graphical user interface. The oscilloscope provides power to the probe, so no external power supply is needed.

Key Features

- Highly accurate current measurements
- Easy current measurements
- Wide bandwidth
- Compact
- Over-current protected

Accessories

Certificate of Calibration

Instruction Manual CP150-OM-E

Operation

Precautions

The sensor head is a precision assembly consisting of a molded component with a ferrite core and a Hall effect element. It may be damaged if subjected to sudden changes in temperature, mechanical strain or shock.

The mating surfaces of the sensor are precision ground and should be treated with care. If there is any type of dust or dirt on the mating surfaces of the sensor head, measurements may be impaired.

Accurate measurements may not be possible in locations subject to strong magnetic fields such as transformers and high-current conductors, or in locations subject to strong external electric fields.

Connecting the Probe to the Test Instrument

The CP150 probe has been designed for use with the WaveRunner, LC, and WavePro series Teledyne Lecroy oscilloscopes equipped with the ProBus interface. Attach the probe output connector to the oscilloscope input connector. The oscilloscope will recognize the probe, set the oscilloscope input termination to 1 M Ω and activate the probe control functions in the user interface.

Connecting the Probe to the Test Circuit

The CP150 has been designed with a movable split core, eliminating the need to break the conductor for the core to slip around the conductor.

To connect:

1. Pull the slider, so that the clamp opens.
2. Align the sensor so that the current direction indicator corresponds to the direction of current flow in the conductor.
3. Press the probe jaws closed around the conductor until jaws click shut.
4. Close the slider on the sensor head until the "UNLOCK" indication disappears and the "LOCK" indication appears.

NOTE: Never use this probe on bare conductors. The core and shield are grounded and any voltage applied to the conductor may cause damage the probe or the circuit under test.

Operation with a Teledyne LeCroy Oscilloscope

The probe can be controlled through the Vertical Setup dialog for the channel to which the probe is connected.

Turning the **VOLTS/DIV** knob will control the oscilloscope's scale factor to give full dynamic range from 20 mA/div to 50 A/div.

The CP150 probe dialog (a tab behind the channel setup dialog) allows for the selection of the probe's coupling (**DC, Grounded** or **AC**), **AUTO ZERO**, **DEGAUSS PROBE** and **Probe BWL** functions, limiting the system bandwidth to 20 MHz or maximum bandwidth (BWL Off).

Auto Zero

The CP150 incorporates an Auto Zero function to remove the DC offset from the current probe. Auto Zero must be invoked by the user. After several minutes of warm-up, or when the probe is exposed to a large shift in ambient temperature, some DC offset drift may occur. To initiate an Auto Zero cycle, touch the CP150 tab of the (Channel) Vertical Setup dialog, then touch **AUTO ZERO**.

Degauss Probe

If the probe has been magnetized by external magnetic field or by excessive input, the core can be demagnetized by opening the CP150 dialog and touching **DEGAUSS PROBE**. The demagnetizing process takes about 1 seconds and should always be performed before taking a measurement.

Without clamping the probe around a conductor, slide the opening lever to close and lock the probe.

An Auto Zero is automatically performed as part of the degauss cycle.

Care and Maintenance

Cleaning

The exterior of the probe and cable should be cleaned only using a soft cloth moistened with water or isopropyl alcohol. The use of abrasive agent, strong detergents or other solvents may damage the probe.



CAUTION. The probe case is not sealed and should never be immersed in any fluid.

Calibration Interval

The recommended calibration interval is one year. Adjustment should only be performed by qualified personnel. (A Performance Verification / Adjustment procedure is included in this manual.)

Service Strategy

Defective probes must be returned to a Teledyne Lecroy service facility for diagnosis and exchange. A defective probe under warranty will be replaced with a factory refurbished probe. A probe that is not under warranty can be exchanged for a factory refurbished probe. A modest fee is charged for this service. A defective probe must be returned in order to receive credit for the probe core.

Troubleshooting

If the probe is not operating properly the problem may be the way in which it is used. Before assuming the probe is defective, perform the following troubleshooting procedures:

1. Verify using on the Teledyne Lecroy oscilloscope running firmware 4.3.0.0 or higher. The firmware version of your oscilloscope can be verified by selecting **Utilities > Utilities Setup > Status** tab.
2. Waveform is inverted — Make sure the arrow on the slider is in the direction of the current flow.
3. No signal — Make sure the slider is closed and locked.

Returning a Defective Probe

Contact your local Teledyne Lecroy sales representative to find out where to return the product. All returned products should be identified by model number and serial number. Provide your name and contact number and if possible describe the defect or failure. In case of products returned to the factory, a Return Authorization Number (RAN) must be used. Contact your nearest Teledyne Lecroy office, or the New York Customer Care Center, to receive a RAN.

Return shipment should be prepaid. Teledyne Lecroy cannot accept COD or Collect Return shipments. We recommend air-freighting.

1. Contact your local Teledyne Lecroy sales or service representative to obtain a Return Authorization Number.
2. Remove all accessories from the probe. Do not include the manual.
3. Pack the probe in its case, surrounded by the original packing material (or equivalent) and box.
4. Label the case with a tag containing:
 - The RAN
 - Name and address of the owner
 - Probe model and serial number
 - Description of failure
5. Package the probe case in a cardboard shipping box with adequate padding to avoid damage in transit.
6. Mark the outside of the box with the shipping address given to you by the Teledyne Lecroy representative; be sure to add the following:
 - ATTN: <RAN assigned by the Teledyne Lecroy representative>
 - FRAGILE
7. Insure the item for the replacement cost of the probe.
8. **If returning a probe to a different country, also:**
 - Mark shipments returned for service as a “Return of US manufactured goods for warranty repair/recalibration.”
 - If there is a cost involved in the service, put the service cost in the value column and the replacement value in the body of the invoice marked “For insurance purposes only.”
 - Be very specific as to the reason for shipment. Duties may have to be paid on the value of the service.

Performance Verification

This procedure can be used to verify the warranted characteristics of the CP150 Current Probe.

The recommended calibration interval for the model CP150 Current Probe is one year. The complete performance verification procedure should be performed as the first step of annual calibration. Performance verification can be completed without removing the probe covers or exposing the user to hazardous voltages. Test results can be recorded on a photocopy of the Test Record provided at the end of the manual.

Adjustment should only be attempted if a parameter measured in the Performance Verification Procedure is outside the specification limits. Adjustment should only be performed by qualified personnel.

The warranted characteristics of the CP150 Current Probe are valid at any temperature within the Environmental Characteristics listed in the Specifications. However, some of the other test equipment used to verify the performance may have environmental limitations required to meet the accuracy needed for the procedure. Make sure that the ambient conditions meet the requirements of all the test instruments used in his procedure.

NOTE: The correct operation of the CP150 controls requires software version 4.3.0.0 or higher. The software version in the test oscilloscope can be verified by selecting **Utilities > Utilities Setup > Status tab**. Contact your local Teledyne Lecroy representative if the software in your oscilloscope requires updating.

Test Equipment Required

The following table lists the test equipment and accessories (or their equivalents) which are required for performance verification of the CP150 Current Probe.

Because the input and output connector types may vary on different brands and models of test instruments, additional adapters or cables may be required.

Table 1. List of required equipment.

Description	Minimum Requirements	Test Equipment Examples
Wide Band Oscilloscope	ProBus interface equipped Software version 4.3.0.0 or higher	Teledyne LeCroy LT322
Digital Multimeter (2 required)	DC: 0.1% Accuracy 5½ digit resolution	Agilent Technologies 34401A or Fluke 8842A-09

Description	Minimum Requirements	Test Equipment Examples
Function Generator	50 Hz sine wave output 3 Vrms into 50Ω	Agilent Technologies 33120A or Stanford Research Model DS340
Calibration Fixture, 500 Turn Loop	500 Turn loop in series with 0.5Ω ± 0.1% resistor with sense terminals	Teledyne LeCroy CP150-CF02
Calibration Fixture	ProBus Extension Cable	Teledyne LeCroy PROBUS-CF01
Banana Plug Adapter	Female BNC to Dual Banana Plug	Pomona 1269
Patch Cables (4 required)	Male Banana to Male Banana, 12"	Pomona B-12-0 (black) Pomona B-12-2 (red)
BNC Adapter	BNC Male to Dual Banana Jack	Pomona 1296

Preliminary Procedure

1. Connect the CP150 to the channel 1 input of the oscilloscope and completely close the probe slider.
2. Turn the oscilloscope on and allow at least 30 minutes warmup time for the CP150 and test equipment before performing the Verification Procedure.
3. Turn on the other test equipment and allow these to warm up for the time recommended by the manufacturer.
4. While the instruments are reaching operating temperature, make a photocopy of the Performance Verification Test Record (located in Appendix A), and fill in the necessary data.

Functional Check

The functional check will verify the basic operation of the probe functions. It is recommended that the Functional Check be performed prior to the Performance Verification Procedure.

1. Select Channel 1 and verify that the probe bandwidth is set to **Full (BWL OFF)**.
2. Verify that the CP150 is sensed and the **CP150** tab appears behind the channel setup dialog.
3. On the CP150 tab, degauss the probe by touching **DEGAUSS** button, then **OK**.
4. Verify that "**Performing Degauss on CP150....**" is displayed at the bottom of the screen and no error message remains displayed.

Check LF Accuracy

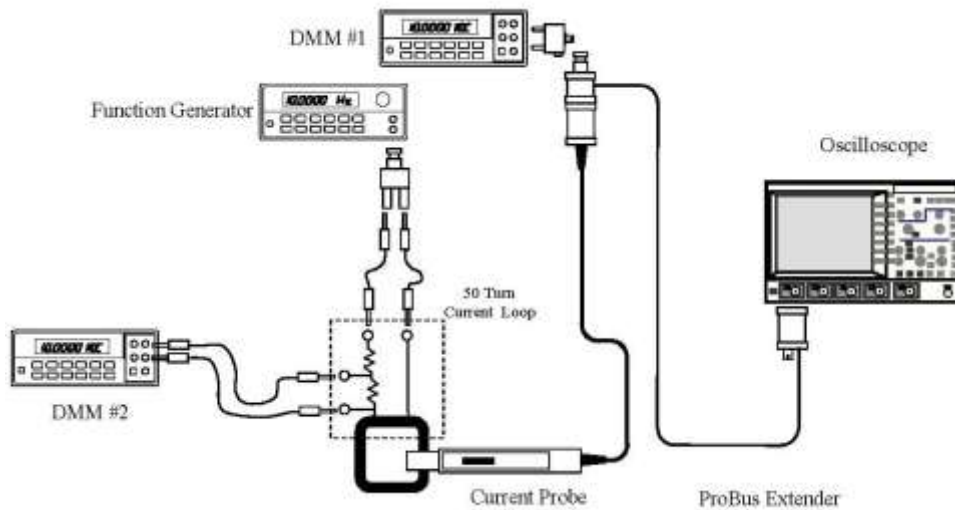


Figure 1. LF Accuracy Test set up.

1. Set the Function generator to 50 Hz sine wave. Output voltage at 1.7 Vrms with 50Ω output.
2. Remove the CP150 from the oscilloscope and reconnect using the ProBus extension cable. Connect the BNC male connector of the ProBus extension to DMM #1 using a BNC Female to Dual Banana adapter.
3. Using Banana Patch cords and the BNC to Dual Banana Plug adapter, connect the 'V Source' and 'V Return' terminals of the 500 Turn Calibration Loop to the output of the Function Generator.
4. Connect the Current Sense terminals of the 500 Turn Calibration Loop to the voltage inputs of DMM #2.
5. Set both DMMs to measure AC Volt.
6. With the CP150 removed from any signal and the slider returned to the LOCKED position, degauss the probe by pressing the **DEGAUSS** button (located in the CP150 dialog), then **OK**.
7. Open the CP150 slider and position the probe input around the 500 Turn loop. Close and LOCK the slider.
8. Adjust the Function generator voltage until the voltage measured at the 'Current Sense' terminals (DMM #2) reads 10 mV ±0.01 mV. (This corresponds to 10 A at the probe head).
9. Record the voltage measured by DMM #1 on the Test Record.
10. Verify that the measured voltage is between 99 mV and 101 mV.

Adjustment Procedure

This procedure can be used to adjust the warranted characteristics of the CP150 Current Probe. This procedure should be used if a parameter measured in the Performance Verification Procedure is outside of the specification limits. Adjustment should only be performed by qualified personnel.

The warranted characteristics of the CP150 Current Probe are valid at any temperature within the Environmental Characteristics listed in the Specifications. However, some of the other test equipment used to verify the performance may have environmental limitations required to meet the accuracy needed for the procedure. Make sure that the ambient conditions meet the requirements of all the test instruments used in this procedure.

NOTE: The correct operation of the controls of the CP150 requires oscilloscope software version 4.3.0.0 or higher. The software version in the test oscilloscope can be verified by selecting Utilities, Utilities Setup, then the Status tab. Contact your local Teledyne Lecroy representative if the software in your oscilloscope requires updating.

Test Equipment Required

The following table lists the test equipment and accessories, or their equivalents, which are required for adjustment of the CP150 Current Probe.

Because the input and output connector types may vary on different brands and models of test instruments, additional adapters or cables may be required.

Table 2. List of required equipment.

Description	Minimum Requirements	Test Equipment Examples
Wide Band Oscilloscope	ProBus interface equipped Software version 4.3.0.0 or higher	Teledyne LeCroy LT322
Digital Multimeter (2 required)	DC: 0.1% Accuracy 5½ digit resolution	Agilent Technologies 34401A, or Fluke 8842A-09
Function Generator	50 Hz sine wave output 3 Vrms into 50 Ω	Agilent Technologies 33120A, or Stanford Research Model DS340
Calibration Fixture, 500 Turn Loop	500 Turn loop in series with 0.5 Ω ±0.1% resistor with sense terminals	Teledyne LeCroy CP150-CF02
Banana Plug Adapter	Female BNC to Dual Banana Plug	Pomona 1269
Calibration Fixture	ProBus Extension Cable	Teledyne LeCroy PROBUS-CF01

CP150 Current Probe

Description	Minimum Requirements	Test Equipment Examples
Patch Cables (4 required)	Male Banana to Male Banana, 12"	Pomona B-12-0 (black) or Pomona B-12-2 (red)
BNC Adapter	BNC Male to Dual Banana Jack	Pomona 1296

Preliminary Procedure

1. Remove the probe compensation box circuit board by removing the two screws from the cable end of the compensation box and sliding the circuit board out of the box.
2. Connect the CP150 compensation board to the channel 1 input of the oscilloscope through the ProBUS extension cable, and completely close the probe slider.
3. Turn the oscilloscope on and allow at least 30 minutes warmup time for the CP150 and test equipment before performing the Verification Procedure.

Adjust LF Accuracy

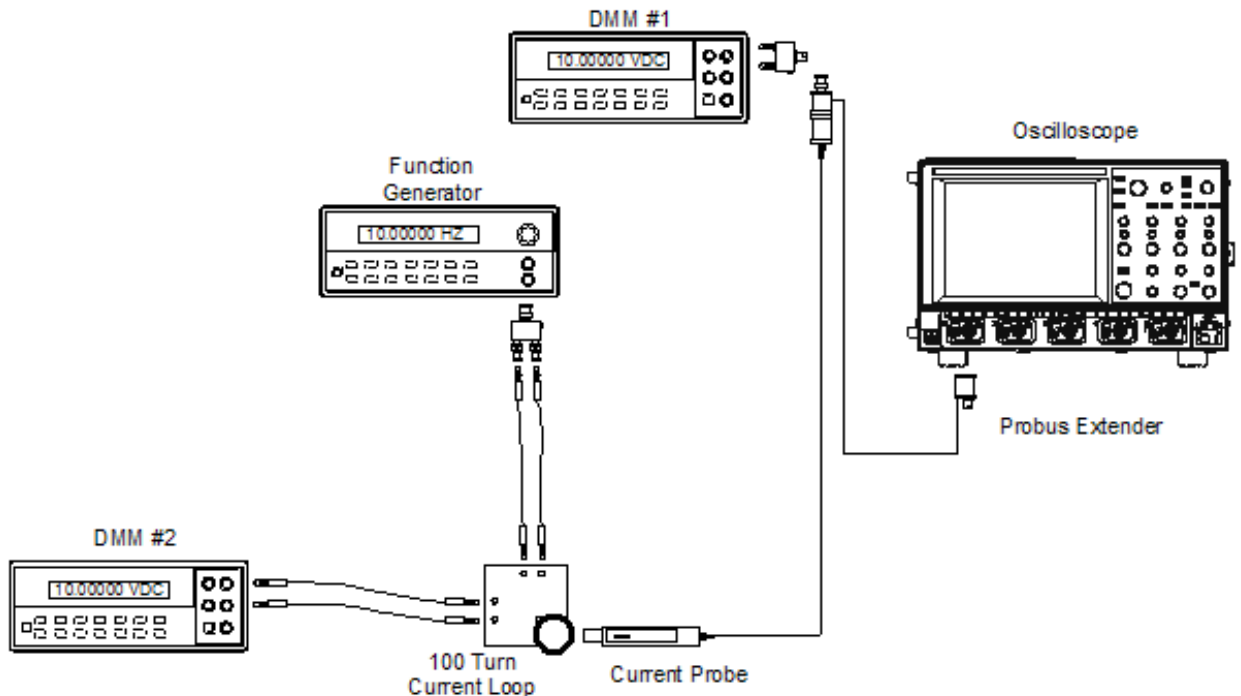


Figure 2. LF accuracy adjustment set up.

1. Set the Function Generator to 50 Hz, sinewave output at 1.7 Vrms with 50 Ω output.
2. Connect BNC male of ProBus extension to DMM #1 using BNC Female to Dual Banana adapter.
3. Using banana patch cords, connect the 'V Source' and 'V Return' terminals of the 500 Turn Calibration Loop, to the output of the Function Generator using the BNC to Dual Banana Plug Adapter output. (Refer to Figure 2.)
4. Connect the Current Sense terminals of the 100 Turn Calibration Loop to the voltage inputs of DMM #2.
5. Set both DMMs to measure AC Volt.
6. With the CP150 removed from any signal and the slider returned to the LOCKED position, degauss the probe by touching **DEGAUSS** (on the CP150 dialog), then **OK**.
7. Open the CP150 jaws and position the probe input around the 500 Turn loop. Close and LOCK the slider.
8. Adjust the Function Generator voltage until the voltage measured at the 'Current Sense' terminals (DMM #2) is 10 mV \pm 0.01 mV. (This corresponds to 10 A at the probe head).
9. Adjust the center variable resistor on the probe head until the voltage measured on DMM #1 is as close to 10X the voltage measured on DMM #2.
10. Verify that the measured voltage is between 99 mV and 101 mV.
11. Disconnect the probe from the test setup.
12. Re-apply the light blue product label to the probe head using the double-sided tape.

Specifications

Nominal Characteristics

Nominal characteristics describe parameters and attributes which are guaranteed by design, but do not have associated tolerances.

Maximum Continuous Input Current	150 A _{rms} (Refer to Figure 3)
Maximum Peak Current	300 A _{peak} , noncontinuous
Insertion Impedance	Refer to Figure 4
Intended Output Load	1 MΩ
Maximum Permitted Circuit Voltage	600 V Cat II, 300 V Cat III (Insulated conductor)

Warranted Characteristics

Warranted characteristics describe parameters which have guaranteed performance. Unless otherwise noted, tests are provided in the Performance Verification Procedure for all warranted specifications.

Guaranteed at 23 °C ±3 °C (73 °F ±5 °F) after power has been applied for 30 minutes.

Low Frequency Accuracy	±1.0% of reading ±100 mA
------------------------	--------------------------

Typical Characteristics

Typical characteristics describe parameters which do not have guaranteed performance; however are representative of the average performance from a sample of several probes. Tests for typical characteristics are not provided in the Performance Verification procedure.

Sensitivity*	200 mA/div* to 100 A/div.
Output voltage	0.01 V/A
Sensitivity Temperature Coefficient	±2% or less. (from 0° to +40 °C, 32 °F to 104 °F)
Noise	Equivalent to 2.5 mA _{rms} or less (BW of measuring instrument: 20 MHz)
Bandwidth	DC to 10 MHz
Rise Time	≤ 3.5 ns

* Lower sensitivity may change with different oscilloscope models.

Environmental Characteristics

Operating Temperature Humidity	0 to 40 °C (32 °F to 104 °F) ≤ 80% relative humidity (non-condensing)
Storage Temperature Humidity	−10 °C to 50 °C (14 °F to 122 °F) ≤ 80% relative humidity (non-condensing)
Usage	Indoor
Altitude	up to 2000 m (6562 feet)
Effect of External Magnetic Field	Equivalent to a maximum of 150 mA (in a DC or 60 Hz, 400 A/m magnetic field)

Physical Characteristics

Dimensions Probe

Length	175 mm (6.9 inch)
Width	27 mm (1.1 inch)
Height	69 mm (2.7 inch)

Dimensions Compensation Box

Length	65 mm (2.6 inch)
Width	39 mm (1.5 inch)
Height	24 mm (0.9 inch)
Weight	460 g (16.2 oz.)
Maximum diameter of conductors to be measured	20 mm (0.79 inch)

Graphs

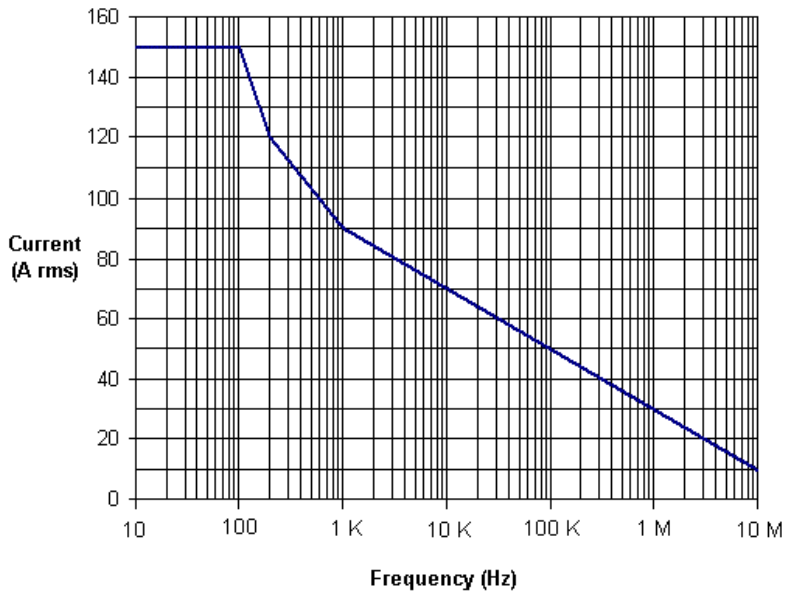


Figure 3. Maximum input current vs. frequency.

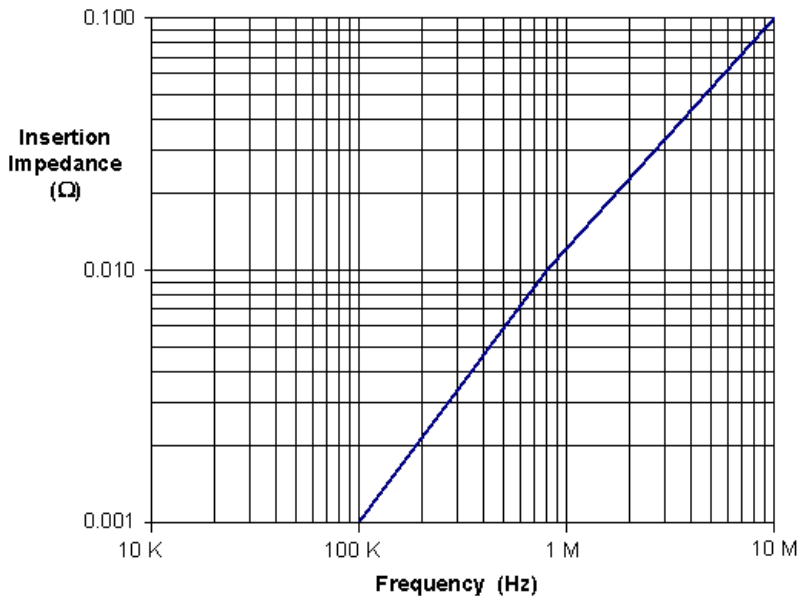


Figure 4. Insertion impedance vs. frequency.

Certifications

This section contains the instrument’s Electromagnetic Compatibility (EMC), Safety and Environmental certifications.

EMC Compliance

EC Declaration of Conformity - EMC

The probe meets intent of EC Directive 2004/108/EC for Electromagnetic Compatibility. Compliance was demonstrated to the following specifications as listed in the Official Journal of the European Communities:

EN 61326-1:2006, EN 61326-2-1:2006 EMC requirements for electrical equipment for measurement, control, and laboratory use.

ELECTROMAGNETIC EMISSIONS:

CISPR 11:2003, Radiated and Conducted Emissions Group 1, Class A ^{1 2}

ELECTROMAGNETIC IMMUNITY:

EN 61000-4-2:2001 Electrostatic Discharge, 4 kV contact, 8 kV air, 4 kV vertical/horizontal coupling planes ³

EN 61000-4-3:2006 RF Radiated Electromagnetic Field, 3 V/m, 80-1000 MHz; 3 V/m, 1400 MHz - 2 GHz; 1 V/m, 2 GHz - 2.7 GHz ³

- 1 Emissions which exceed the levels required by this standard may occur when the probe is connected to a test object.
- 2 This product is intended for use in nonresidential areas only. Use in residential areas may cause electromagnetic interference.
- 3 Meets Performance Criteria “B” limits of the respective standard: during the disturbance, product undergoes a temporary degradation or loss of function or performance which is self-recoverable.

EUROPEAN CONTACT:

Teledyne LeCroy Europe GmbH
 Waldhofer Str 104
 D-69123 Heidelberg
 Germany
 Tel: (49) 6221 82700

Australia & New Zealand Declaration of Conformity—EMC

Probe complies with the EMC provision of the Radio Communications Act per the following standards, in accordance with requirements imposed by Australian Communication and Media Authority (ACMA):

922175-00 Rev A

CP150 Current Probe

CISPR 11:2003 Radiated and Conducted Emissions, Group 1, Class A, in accordance with EN61326-1:2006 and EN61326-2-1:2006.

AUSTRALIA / NEW ZEALAND CONTACTS:

Vicom Australia Ltd.
1064 Centre Road
Oakleigh, South Victoria 3167
Australia

Vicom New Zealand Ltd.
60 Grafton Road
Auckland
New Zealand

Safety Compliance

EC Declaration of Conformity – Low Voltage

The probe meets intent of EC Directive 2006/95/EC for Product Safety. Compliance was demonstrated to the following specifications as listed in the Official Journal of the European Communities:

EN 61010-1:2010 Safety requirements for electrical equipment for measurement, control, and laboratory use – Part 1: General requirements

EN 61010-2:030:2010 Safety requirements for electrical equipment for measurement, control, and laboratory use – Part 2-030: Particular requirements for testing and measuring circuits

EN 61010-031/A1:2008 Safety requirements for electrical equipment for measurement, control, and laboratory use – Part 031: Safety requirements for hand-held probe assemblies for electrical measurement and test.

Environmental Compliance

End-Of-Life Handling



The instrument is marked with this symbol to indicate that it complies with the applicable European Union requirements to Directives 2002/96/EC and 2006/66/EC on Waste Electrical and Electronic Equipment (WEEE) and Batteries.

The instrument is subject to disposal and recycling regulations that vary by country and region. Many countries prohibit the disposal of waste electronic equipment in standard waste receptacles. For more information about proper disposal and recycling of your Teledyne LeCroy product, please visit teledynelecroy.com/recycle.

Restriction of Hazardous Substances (RoHS)

This instrument has been classified as Industrial Monitoring and Control Equipment, and is outside the scope of the 2011/65/EU RoHS Directive until 22 July 2017 (per Article 4, Paragraph 3).

Contact Teledyne LeCroy

Teledyne LeCroy Service Centers	
<p>United States and Canada - World Wide Corporate Office Teledyne LeCroy Corporation 700 Chestnut Ridge Road Chestnut Ridge, NY, 10977-6499, USA Ph: 800-553-2769 / 845-425-2000 FAX: 845-578-5985 teledynelecroy.com Support: contact.corp@teledynelecroy.com Sales: customersupport@teledynelecroy.com</p>	<p>United States - Protocol Solutions Group Teledyne LeCroy Corporation 3385 Scott Boulevard Santa Clara, CA, 95054, USA FAX: 408-727-0800 teledynelecroy.com Sales and Service: Ph: 800-909-7211 / 408-727-6600 contact.corp@teledynelecroy.com Support: Ph: 800-909-7112 / 408-653-1260 psgsupport@teledynelecroy.com</p>
<p>European Headquarters Teledyne LeCroy SA 4, Rue Moïse Marcinihes Case postale 341 1217 Meyrin 1 Geneva, Switzerland Ph: + 41 22 719 2228 / 2323 /2277 FAX:+41 22 719 2233 contact.sa@teledynelecroy.com applications.indirect@teledynelecroy.com teledynelecroy.com/europe Protocol Analyzers: Ph: +44 12 765 03971</p>	<p>Singapore, Oscilloscopes Teledyne LeCroy Singapore Pte Ltd. Blk 750C Chai Chee Road #02-08 Technopark @ Chai Chee Singapore 469003 Ph: ++ 65 64424880 FAX: ++ 65 64427811 Singapore, Protocol Analyzers Genetron Singapore Pte Ltd. 37 Kallang Pudding Road, #08-08 Tong Lee Building Block B Singapore 349315 Ph: ++ 65 9760-4682</p>
<p>China Teledyne LeCroy Corporation Beijing Rm. 2001 - Office; Rm. 2002 - Service Center Unit A, Horizon Plaza No. 6, Zhichun Road, Haidian District Beijing 100088, China Ph: ++86 10 8280 0318 / 0319 / 0320 FAX:++86 10 8280 0316 Service: Rm. 2002 Ph: ++86 10 8280 0245</p>	<p>Korea Teledyne LeCroy Korea 10th fl. Ildong Bldg. 968-5 Daechi-dong, Gangnam-gu Seoul 135-280, Korea Ph: ++ 82 2 3452 0400 FAX: ++ 82 2 3452 0490</p>
<p>Taiwan LeColn Technology Co Ltd. Far East Century Park, C3, 9F No. 2, Chien-8th Road, Chung-Ho Dist., New Taipei City, Taiwan Ph: ++ 886 2 8226 1366 FAX: ++ 886 2 8226 1368</p>	<p>Japan Teledyne LeCroy Japan Hobunsha Funchu Bldg, 3F 3-11-5, Midori-cho, Fuchu-Shi Tokyo 183-0006, Japan Ph: ++ 81 4 2402 9400 FAX: ++ 81 4 2402 9586 teledynelecroy.com/japan</p>

Appendix A

Performance Verification Test Record

Photocopy this page and record the results of measurements made during the performance verification of the CP150 Current Probe on the copy. File the completed record as required by applicable internal quality procedures.

The sections in the test record correspond to the parameters tested in the performance verification procedure. The numbers preceding the individual data records correspond to the steps in the procedure that require the recording of data. Results recorded in the column labeled "Test Result" are the actual specification limit check. The test limits are included in all of these steps. Other measurements and the results of intermediate calculations that support the limit check are to be recorded in the column labeled "Intermediate Results".

Permission is granted to reproduce these pages for the purpose of recording test results.

Model: _____

Serial Number: _____

Asset or Tracking Number: _____

Date: _____

Technician: _____

Equipment Used

	MODEL	SERIAL NUMBER	CALIBRATION DUE DATE
Digital Multimeter #1			
Digital Multimeter #2			
Function Generator ¹			N/A

¹The function generator used in this Performance Verification Procedure is used for making relative measurements. The output of the generator is measured with a DMM or oscilloscope in this procedure. Thus, the generator is not required to be calibrated.

CP150 Test Record

Step	Description	Test Result
Gain Accuracy	10 Probe Output (Spec limit: 0.495 - 0.505 V)	_____ V



700 Chestnut Ridge Road
Chestnut Ridge, NY 10977
USA

teledynelecroy.com