



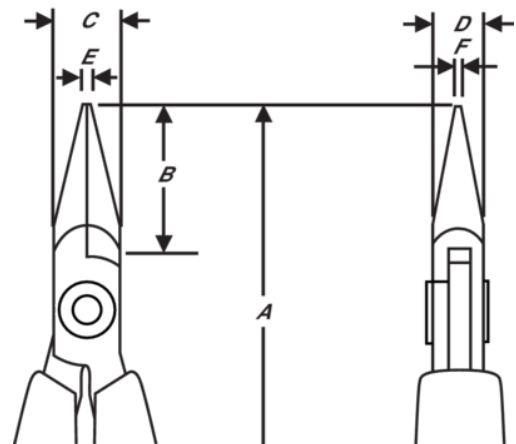
7894

## Precision Diagonal Cutters with Tapered Head & ESD Safe Handle







### PRODUCT DETAILS

- Material: High performance alloy steel
- Polished and hardened to 58–60 HRC
- Precision screw joint that minimizes friction and maximizes jaw alignment
- ESD safe handles in synthetic material with return spring
- 32 mm jaws with radiused edges



PRODUCT ATTRIBUTES

Product: **7894**

	Needle Nose		L	<b>A</b>	132 mm
<b>A</b>	5.20 in	<b>B</b>	32 mm	<b>B</b>	1,26 in
<b>C</b>	9 mm	<b>C</b>	0.35 in	<b>D</b>	6 mm
<b>D</b>	0,24 inch	<b>E</b>	1,2 mm	<b>E</b>	0,05 in
<b>F</b>	0,8 mm	<b>F</b>	0,03 in		Smooth
	56 g	<b>Ω</b>	Dissipative		