

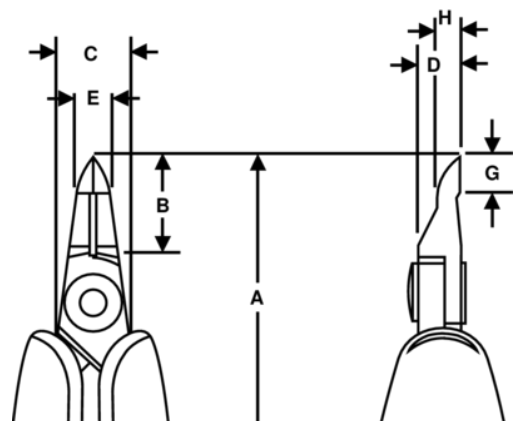


## RX 8149 ERGO™ Precision Diagonal Tip Cutters








### PRODUCT DETAILS

- Precision tip cutters developed according to the scientific ERGO™ process
- ERGO™ handles with two-component combination, thermoplastic surface, for comfortable grip, on tough polypropylene core for rigidity
- Flush cut
- The cutting capacity that is given is for copper wire
- Cutting capacity: 0.1 mm to 0.6 mm
- High performance alloyed steel
- Burnished finish
- Numerically controlled machine grinding guarantees edge angle accuracy & contact, increases the tool's reliability & consistency
- Precision induction-hardened edges 58-60 HRC
- Screw joint minimises friction & maximises alignment of cutting edges
- ESD safe handles in two-component synthetic material
- Bio spring limits the tension throughout the working cycle of the tool & can be adjusted to 3 different positions or removed
- Ideal for use with multi-lead components & for rework



PRODUCT ATTRIBUTES

Product: **RX 8149**

	Tip Cutter		S		Flush
	0.1-0.6 mm		0.01-0.02 in	<b>A</b>	139 mm
<b>A</b>	5.47 in	<b>B</b>	14 mm	<b>B</b>	0,55 in
<b>C</b>	10 mm	<b>C</b>	0.39 in	<b>D</b>	6 mm
<b>D</b>	0,24 inch	<b>E</b>	5 mm	<b>E</b>	0,2 in
<b>G</b>	5 mm	<b>G</b>	0,2 in	<b>H</b>	3,2 mm
<b>H</b>	0,13 in		70 g	<b>Ω</b>	Dissipative