

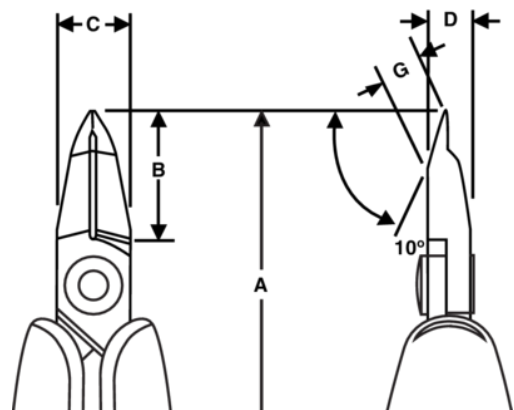


**RX 8234**  
**ERGO™ Precision Micro Tip**  
**Cutters 141 mm**







**PRODUCT DETAILS**

- Precision micro tip cutters developed according to the scientific ERGO™ process
- ESD safe ERGO™ handles with two-component combination, thermoplastic surface for comfortable grip, on tough polypropylene core for rigidity
- Flush cut
- Cutting capacity: 0.05 mm to 0.4 mm Cu
- High-performance alloyed steel
- Burnished finish
- Numerically controlled machine grinding guarantees edge angle accuracy & contact, increases the tool's reliability & consistency
- Precision induction-hardened edges 63-65 HRC
- Screw joint minimises friction & maximises alignment of cutting edges
- Bio spring limits the tension throughout the working cycle of the tool & can be adjusted to 3 different positions or removed
- Ideal rework & close fine pitch applications



PRODUCT ATTRIBUTES

Product: **RX8234A**

	Micro Tip 10°		XS		Flush
	0.05-0.4 mm		0.002-0.018 in	<b>A</b>	141 mm
<b>A</b>	4.50 in	<b>B</b>	14,2 mm	<b>B</b>	0,56 in
<b>C</b>	10,6 mm	<b>C</b>	0.41 in	<b>D</b>	7 mm
<b>D</b>	0,27 inch	<b>G</b>	3,2 mm	<b>G</b>	0,12 in
	62 g		Dissipative		