



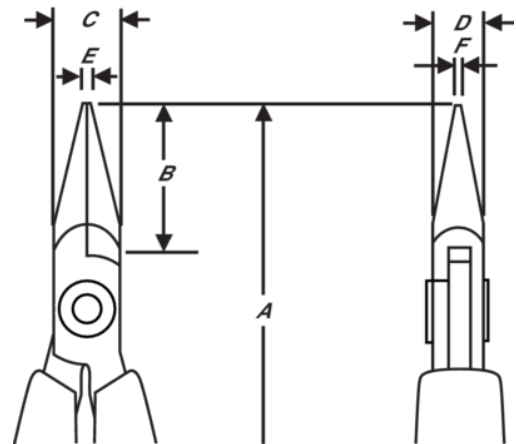
7893

## Short Snipe Nose Pliers with Synthetic Handle







### PRODUCT DETAILS

- Supreme series short snipe nose pliers
- ESD safe mono-material handles with return spring
- High performance alloyed steel
- Polished finish
- Numerically controlled machine grinding guarantees accuracy & increases the tools reliability & consistency
- Tough hardened 42-46 HRC
- Screw joint that minimizes friction & maximizes jaw alignment
- 20 mm of serrated jaws with radiused edges



PRODUCT ATTRIBUTES

Product: **7893**

	Snipe Nose, Short		S	<b>A</b>	120 mm
<b>A</b>	4.72 in	<b>B</b>	20 mm	<b>B</b>	0,79 in
<b>C</b>	9 mm	<b>C</b>	0.35 in	<b>D</b>	6 mm
<b>D</b>	0,24 inch	<b>E</b>	1,2 mm	<b>E</b>	0,05 in
<b>F</b>	0,8 mm	<b>F</b>	0,03 in		Smooth
	56 g				