



## HS-7891

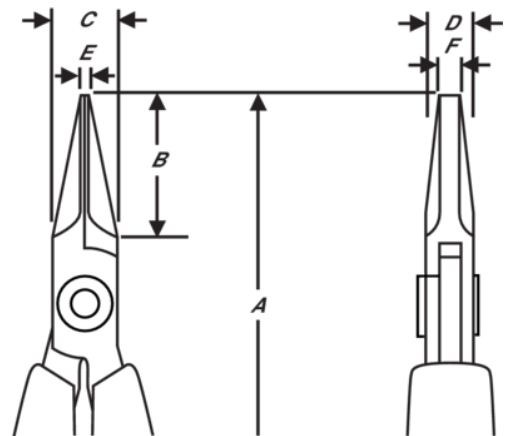
Long Snipe Nose Pliers with  
Synthetic Handle & Serrated Jaw  
132 mm



### PRODUCT DETAILS





- Long, foam covered handles provide added leverage, an ergonomic grip, and reduced fatigue
- HS handle option can be applied to any standard 80 Series cutters or Supreme Series cutters and pliers

- All HS cutters and pliers are ESD safe, using static dissipative foam grips over conductive spring holders



PRODUCT ATTRIBUTES

Product: **HS-7891**

	Chain Nose		M	<b>A</b>	164.3 mm
<b>A</b>	6.47 in	<b>B</b>	32 mm	<b>B</b>	1,26 in
<b>C</b>	9 mm	<b>C</b>	0.35 in	<b>D</b>	6 mm
<b>D</b>	0,24 inch	<b>E</b>	1,2 mm	<b>E</b>	0,05 in
<b>F</b>	0,8 mm	<b>F</b>	0,03 in		Serrated
	106 g				