



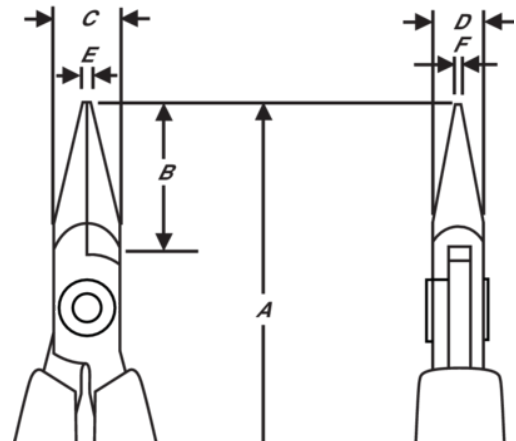
RX-7893

**ERGO™ Short Snipe Nose Pliers
with 2-Component Handle &
Smooth/Serrated Jaw 146.5 mm**







PRODUCT DETAILS

- Developed according to the ERGO® process for a comfortable and effective grip in all situations
- Material: High performance alloy steel
- Polished and tough hardened 55-58 HRC
- Precision screw joint that minimizes friction and maximizes alignment of jaw alignment
- Micro-Touch™: The shape of the handles makes it possible to control and rotate the pliers between thumb and index finger for precision work
- Biospring® reduces tension throughout the working cycle of the tool and can be easily adjusted in three different positions



PRODUCT ATTRIBUTES

Product: **RX-7893**

	Snipe Nose, Short		S	A	146.5 mm
A	5.77 in	B	20 mm	B	0,79 in
C	9 mm	C	0.35 in	D	6,7 mm
D	0,26 inch	E	1,2 mm	E	0,05 in
F	0,8 mm	F	0,03 in		Smooth
	71 g				