



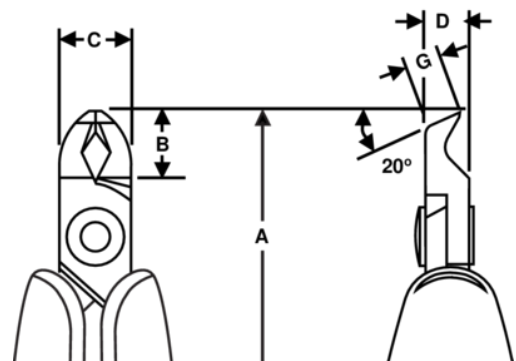
RX 8211

ERGO™ Short Precision 20° Head Oblique Cutters 0.2 mm-1.2 mm







PRODUCT DETAILS

- Precision oblique cutters 20° Short Head developed according to the scientific ERGO™ process
- ERGO™ handles with two-component combination, thermoplastic surface, for comfortable grip, on tough polypropylene core for rigidity
- Flush cut
- The cutting capacity that is given is for copper wire
- Cutting capacity: 0.2 mm to 1.2 mm Cu
- High performance alloyed steel
- Burnished finish
- Numerically controlled machine grinding guarantees edge angle accuracy & contact, increases the tool's reliability & consistency
- Precision induction-hardened edges 63-65 HRC
- Screw joint minimises friction & maximises alignment of cutting edges
- ESD safe handles in two-component synthetic material
- Bio spring limits the tension throughout the working cycle of the tool & can be adjusted to 3 different positions or removed
- Ideal for rework & close assembly needs



PRODUCT ATTRIBUTES

Product: **RX 8211**

| | | | | | |
|---|------------|---|--------------|---|----------|
|  | Angle 20° |  | S |  | Flush |
|  | 0.2-1.2 mm |  | 0.01-0.05 in | A | 134.5 mm |
| A | 5.29 in | B | 9,5 mm | B | 0,37 in |
| C | 10 mm | C | 0.39 in | D | 6 mm |
| D | 0,24 inch | G | 4,1 mm | G | 0,16 in |
|  | 70 g | Ω | Dissipative | | |