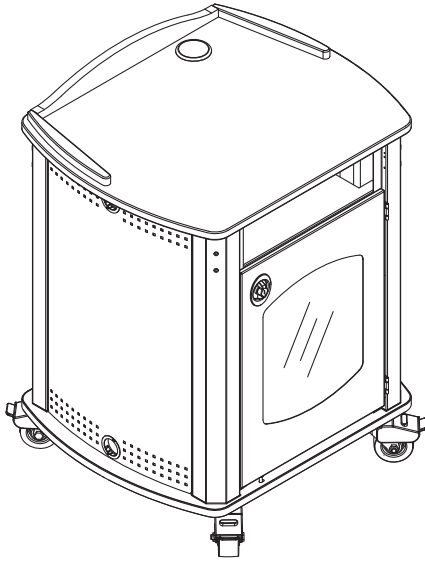
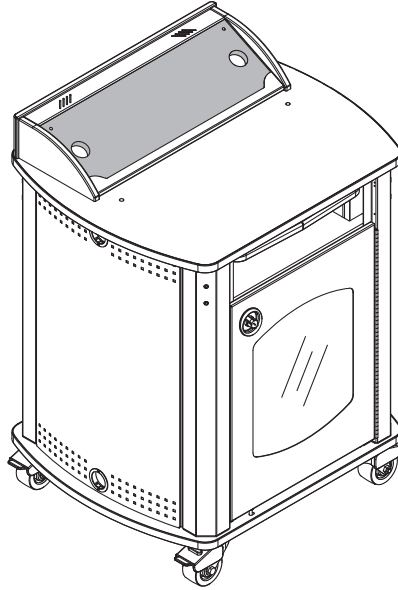


## Technical Specifications

36"H	42"H	
55123	55122	with surround
55295	55296	with Overbridge Control Console™



42" LINK Lectern  
55122



42" LINK Lectern  
with Overbridge Control Console  
55296  
shown with optional  
insert panel (shaded)



205 Westwood Ave, Long Branch, NJ 07740  
Phone: 866-94 BOARDS (26273) / (732)-222-1511  
Fax: (732)-222-7088 | E-mail: sales@touchboards.com

<b>Size Options</b>
36"H or 42"H

<b>Base Options</b>
TW - 5" Twin-wheel casters
HD - 4" Heavy Duty casters
TK - Toe Kick

<b>Options &amp; Accessories</b>
Page 9

For a compact classroom podium with so many integration possibilities, the LINK Lectern adds a unique charm to the classroom. The LINK's shape and style are very exclusive, retaining a contemporary lectern character with a modern touch. Looks aren't everything though – the LINK Lectern's performance is outstanding. It can be integrated for high-powered presentations, but is still small enough for the lecturer to easily step away and personally interact with students. And when you link technology with personal communication, a real connection with your audience is made.

## Features and Benefits

- Durable powder coated steel chassis
- Overbridge console version allows custom cutouts and installation of presentation controllers and control panels
- Scratch and impact-resistant 1 1/8" high-pressure laminate worksurface and base panel
- Cable grommets on worksurface or overbridge provide cable access
- Rack-rail simplifies equipment installation, while providing enough storage space for an internal CPU
- Four 5" TW casters or 4" HD casters roll easily and quietly on uneven surfaces
- Toe kick (TK) version available when mobility is not necessary or desired
- Double-bolt, keyed locking instructor-side and audience-side doors provide security and easy-access
- Blank overbridge console version allows custom cutouts and installation of presentation controllers
- Removable acrylic viewing/access panel on the front door provides easy monitoring of internal equipment
- Worksurface surround provides privacy and styling (standard version only)
- Pre-drilled left and right monitor arm mounting holes allow easy installation of a monitor arm (overbridge version only)
- Ventilated side panels help keep equipment cool
- 3/4" worksurface grommet on the worksurface provides cable access (standard version only)
- Cable grommets throughout unit keep wires and cords organized
- Pull-out keyboard tray
- Optional flip-up shelf provides a convenient additional worksurface
- Wide variety of additional options and accessories allow unit to be configured to most situations
- Warranted to be free of all defects in materials and workmanship with a 10-year warranty

## Color Options

Standard laminate / color combinations

Wild Cherry / Black  
(CHB)



Indigo Organix / Black  
(IB)



Indigo Organix / Dark Gray  
(ID)



Fusion Maple / Black  
(FMB)



Standard color combination refers to the quickest deliverable product color combination. Custom laminates and color combinations are available-additional lead-times and up-charges may apply. Call 1-800-235-1262 for further information.

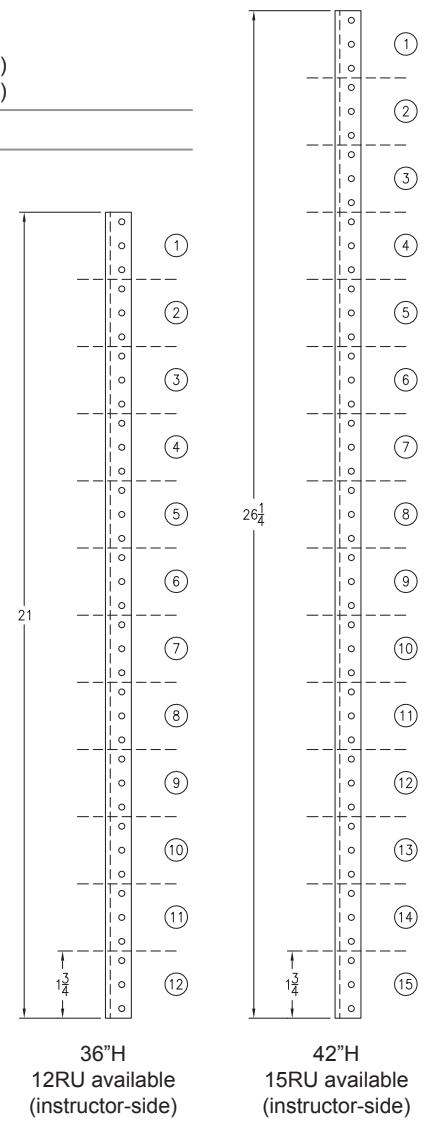
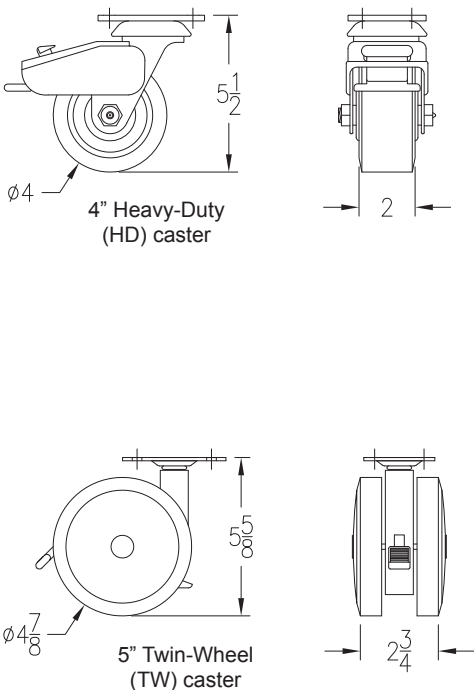
# Construction

- The worksurface and base panel is constructed from 1 1/16" thick NAUF (no added urea formaldehyde) composite board with .030 high-pressure laminate on one face, and a balancing phenolic backer on the opposing face
- Metal components consist of 16-gauge and 20-gauge steel
- 16-gauge steel doors
- Solid wood worksurface surround
- Worksurface edges are covered with 3mm vinyl
- All metal components are finished with a scratch-resistant powder coat epoxy
- Each LINK Lectern is factory-assembled with casters or toe kick, packaged, and shipped on its own skid

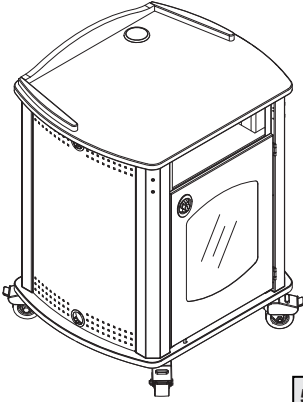
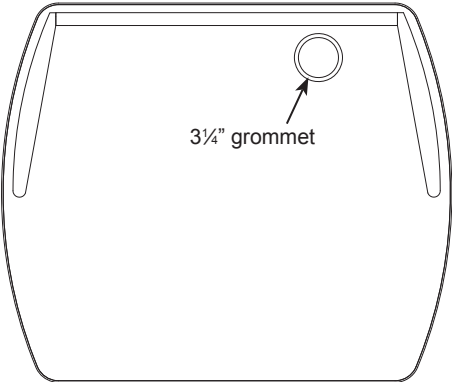
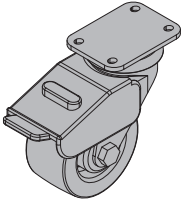
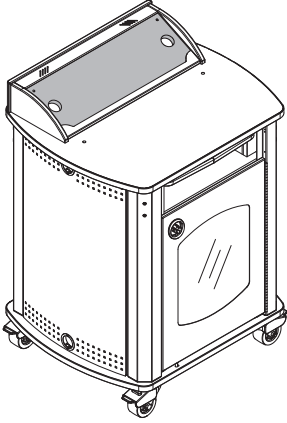
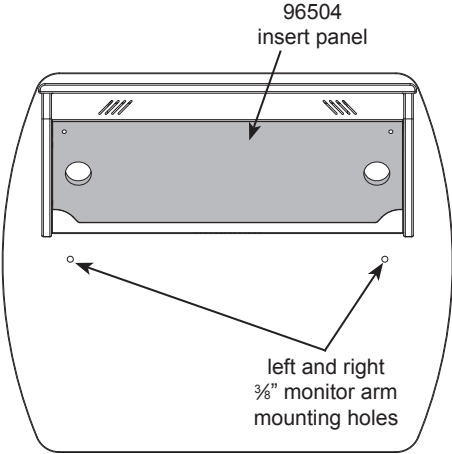
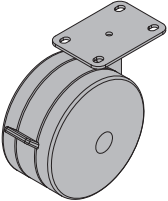
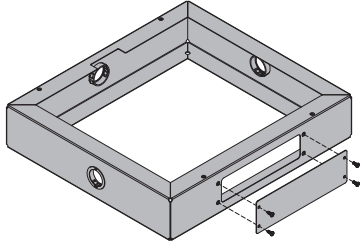
# Specifications

Total internal area	26 1/2"W x 23 1/2"D x 26 1/2"H (36"H) 26 1/2"W x 23 1/2"D x 32 1/2"H (42"H)
Standard rack rail	12RU (36"H) 15RU (42"H)
5" twin-wheel casters	weight capacity 180 lbs each
4" heavy-duty casters	weight capacity 300 lbs each
Optional flip-up shelf	22 3/4"W x 26 1/4"D, 50 lbs max capacity, adjusts 3" vertically in 1" increments
Unit weights (nominal)	163 lbs - 55123 (36"H) 188 lbs - 55122 (42"H) 148 lbs - 55295 (36"H with overbridge) 173 lbs - 55296 (42"H with overbridge)
Shipping weights (nominal)	207 lbs - 55123 (36"H) 232 lbs - 55122 (42"H) 215 lbs - 55295 (36"H with overbridge) 240 lbs - 55296 (42"H with overbridge)
Meets or exceeds all applicable ANSI-BIFMA test standards	

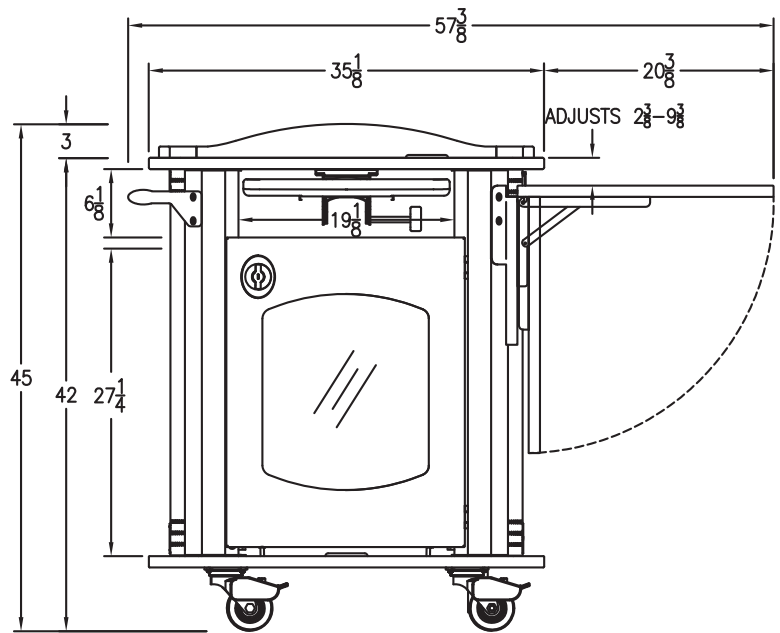
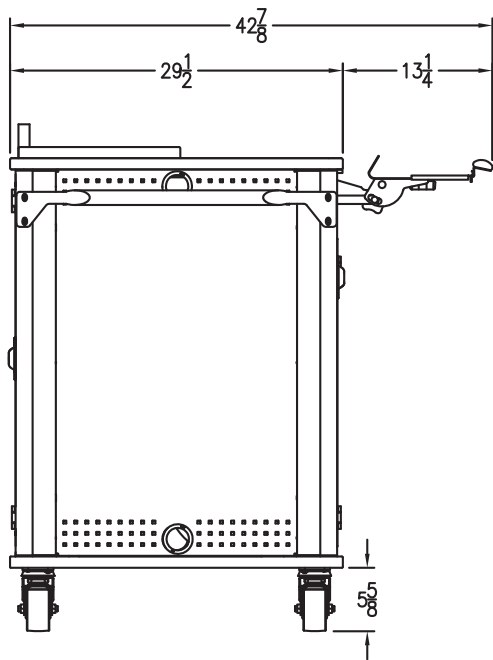
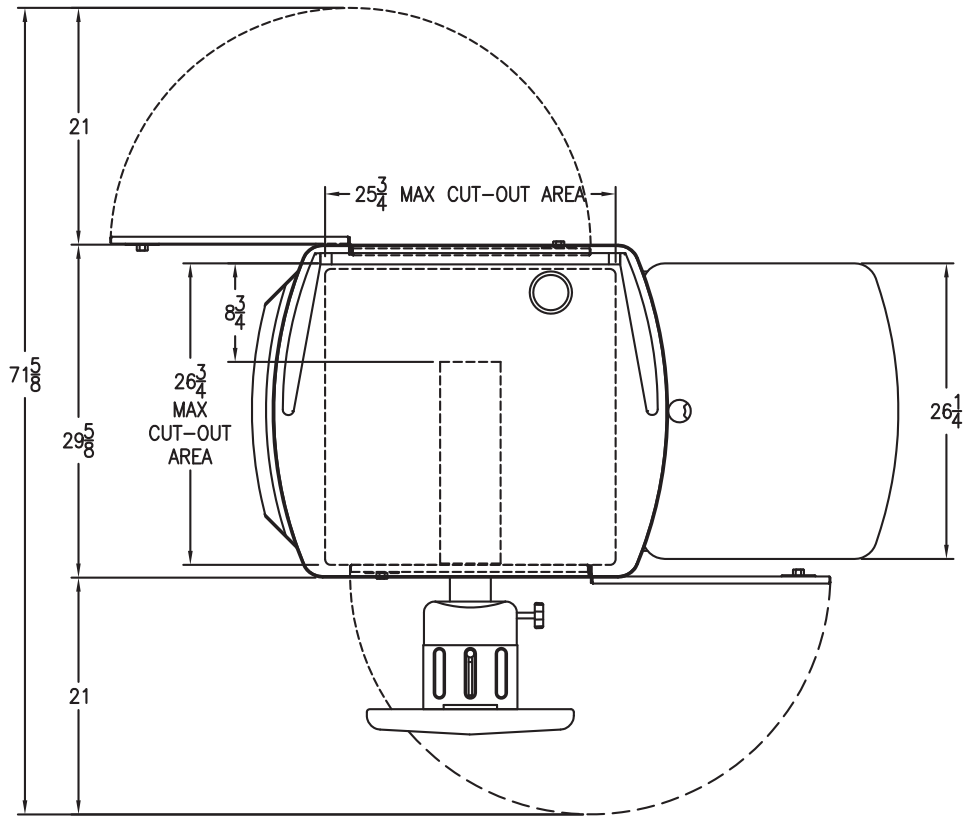
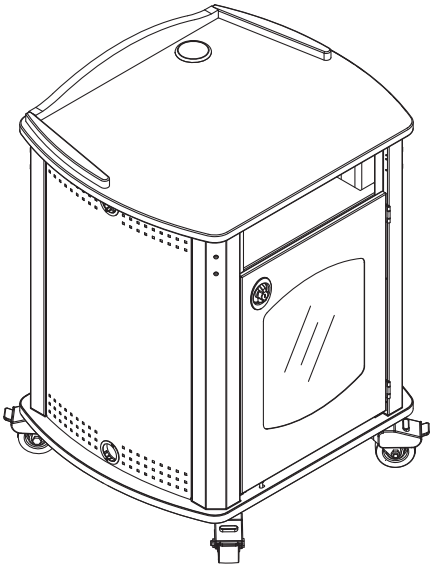
Specifications subject to change without notice



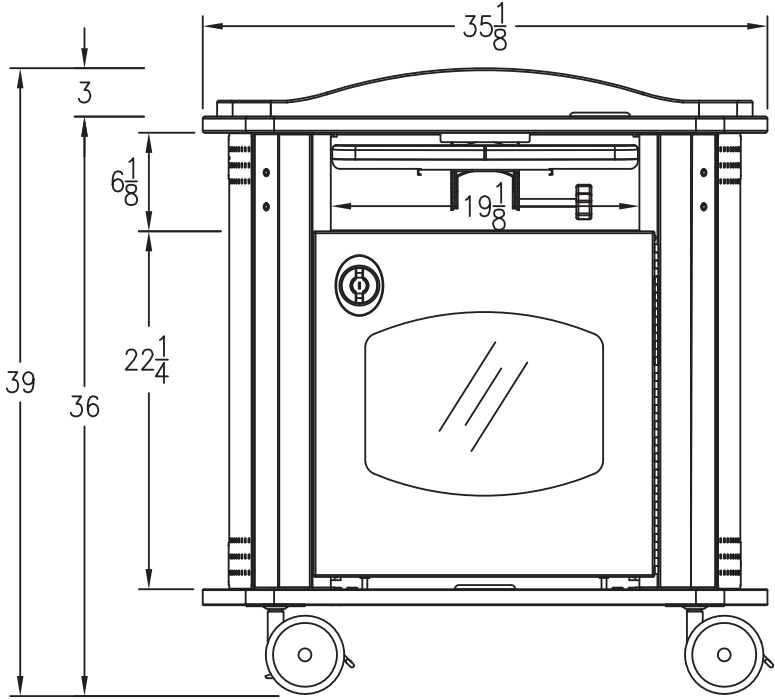
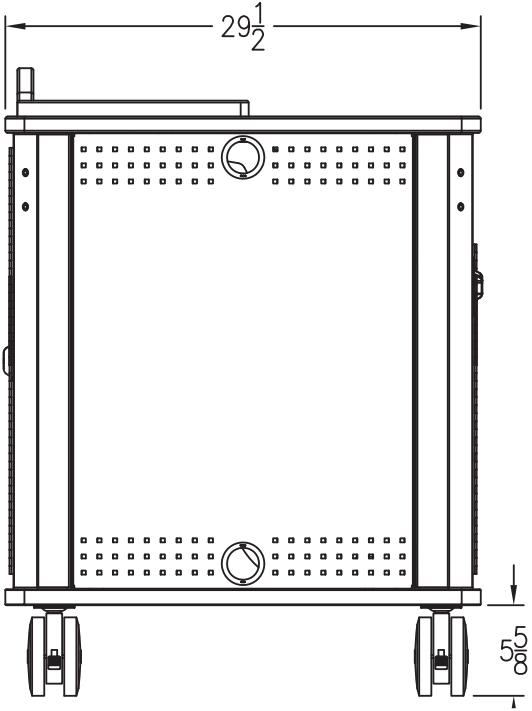
# Models

	Worksurface:	Base Options:
<p><b>Standard LINK Lectern</b></p>  <div style="border: 1px solid black; padding: 2px; width: fit-content; margin-top: 10px;"> <p>55122 - 42"H</p> <p>55123 - 36"H</p> </div>	 <p style="text-align: center;">3/4" grommet</p> <p style="text-align: center;">Surround with one 3/4" grommet in worksurface.</p>	 <p style="text-align: center;">X 4</p> <p style="text-align: center;"><b>HD</b> 4" Heavy-Duty locking casters</p>
<p><b>LINK Lectern with Overbridge Control Console</b></p>  <div style="border: 1px solid black; padding: 5px; margin-top: 10px;"> <p>Note: The insert panel shown (<i>shaded</i>) is <u>not</u> included with the lectern or overbridge. This option needs to be ordered separately to complete the overbridge.</p> </div> <div style="border: 1px solid black; padding: 2px; width: fit-content; margin-top: 10px;"> <p>55296 - 42"H</p> <p>55295 - 36"H</p> </div>	 <p style="text-align: center;">96504 insert panel</p> <p style="text-align: center;">left and right 3/8" monitor arm mounting holes</p> <p>Overbridge with blank insert panel for custom cutouts (see p.8 for dimensions). Overbridge is not available separately. Includes two 2" grommet holes with covers.</p> <p>Worksurface in front of overbridge includes two 3/8" holes with plugs for optional monitor arm mounting.</p>	 <p style="text-align: center;">X 4</p> <p style="text-align: center;"><b>TW</b> 5" Twin-Wheel locking casters</p>  <p style="text-align: center;"><b>TK</b> Toe Kick</p>

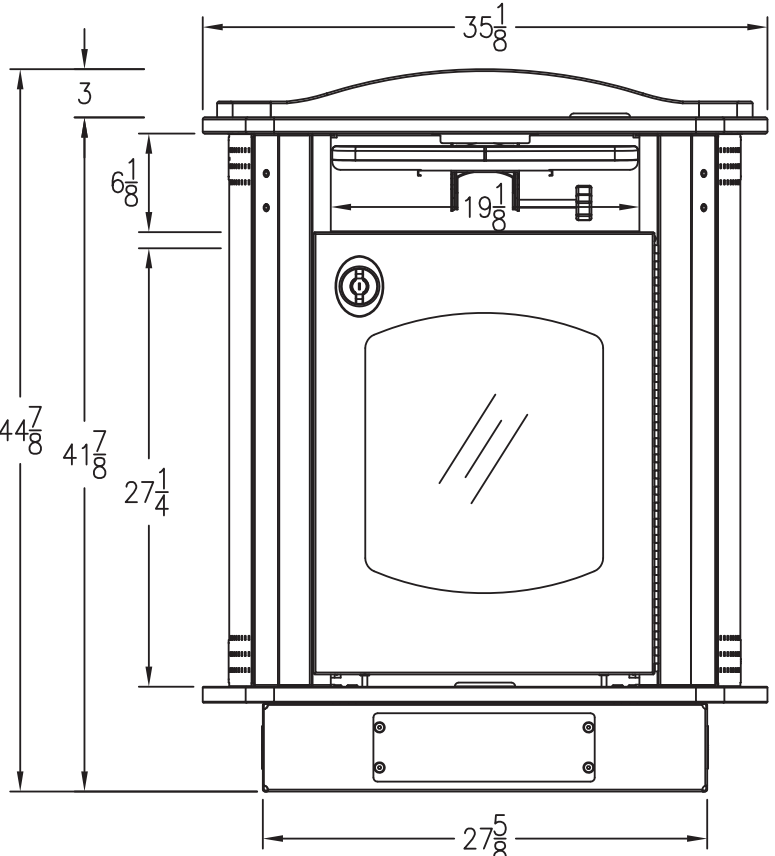
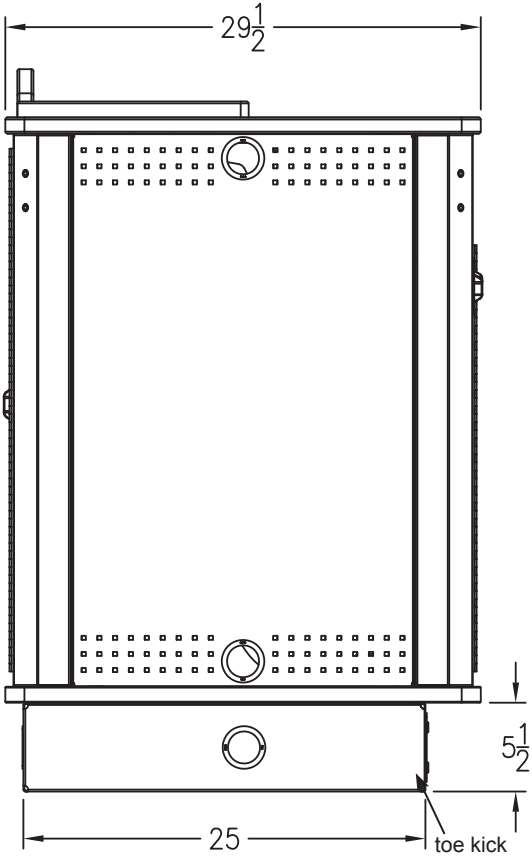
42" LINK Lectern  
 with HD casters  
 (shown with optional steel handle and flip-up shelf)



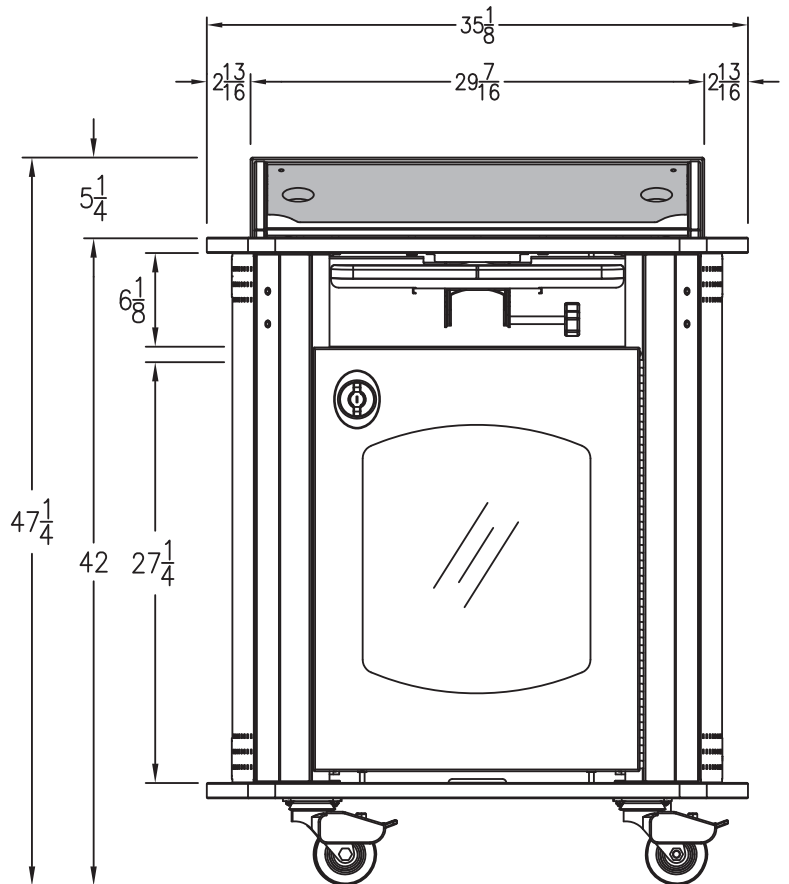
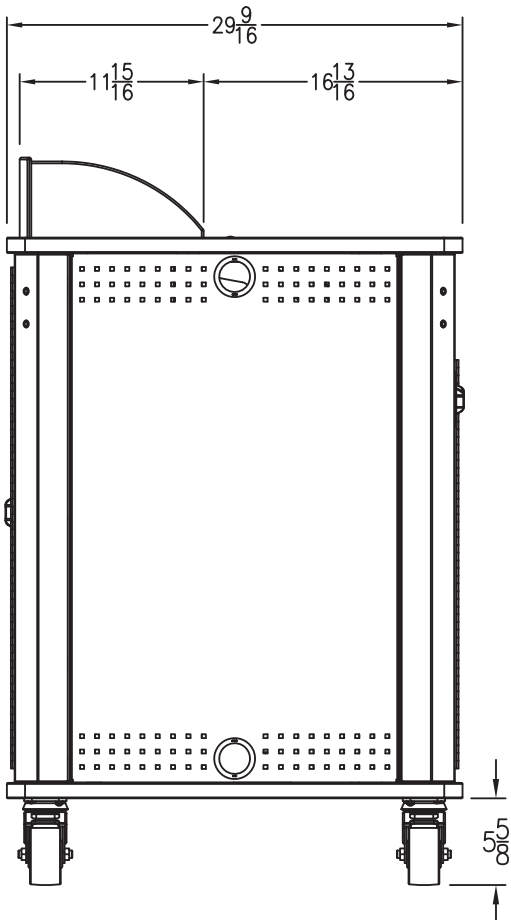
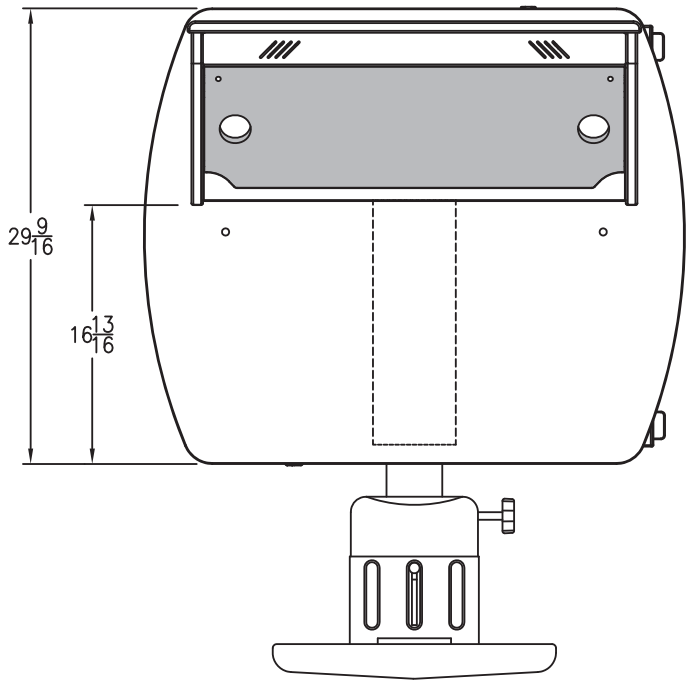
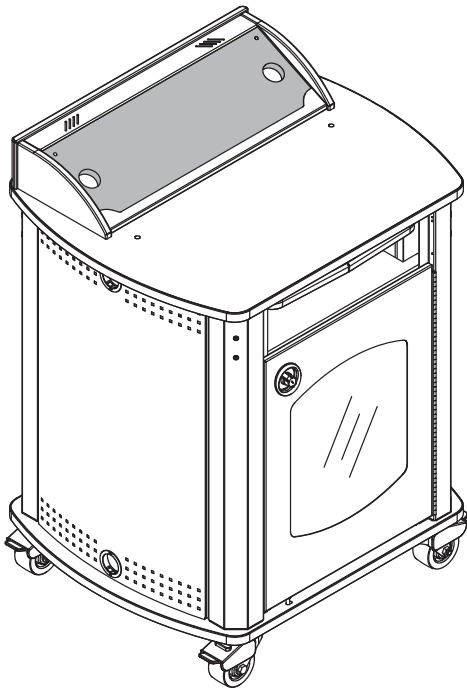
36" LINK Lectern  
with TW casters



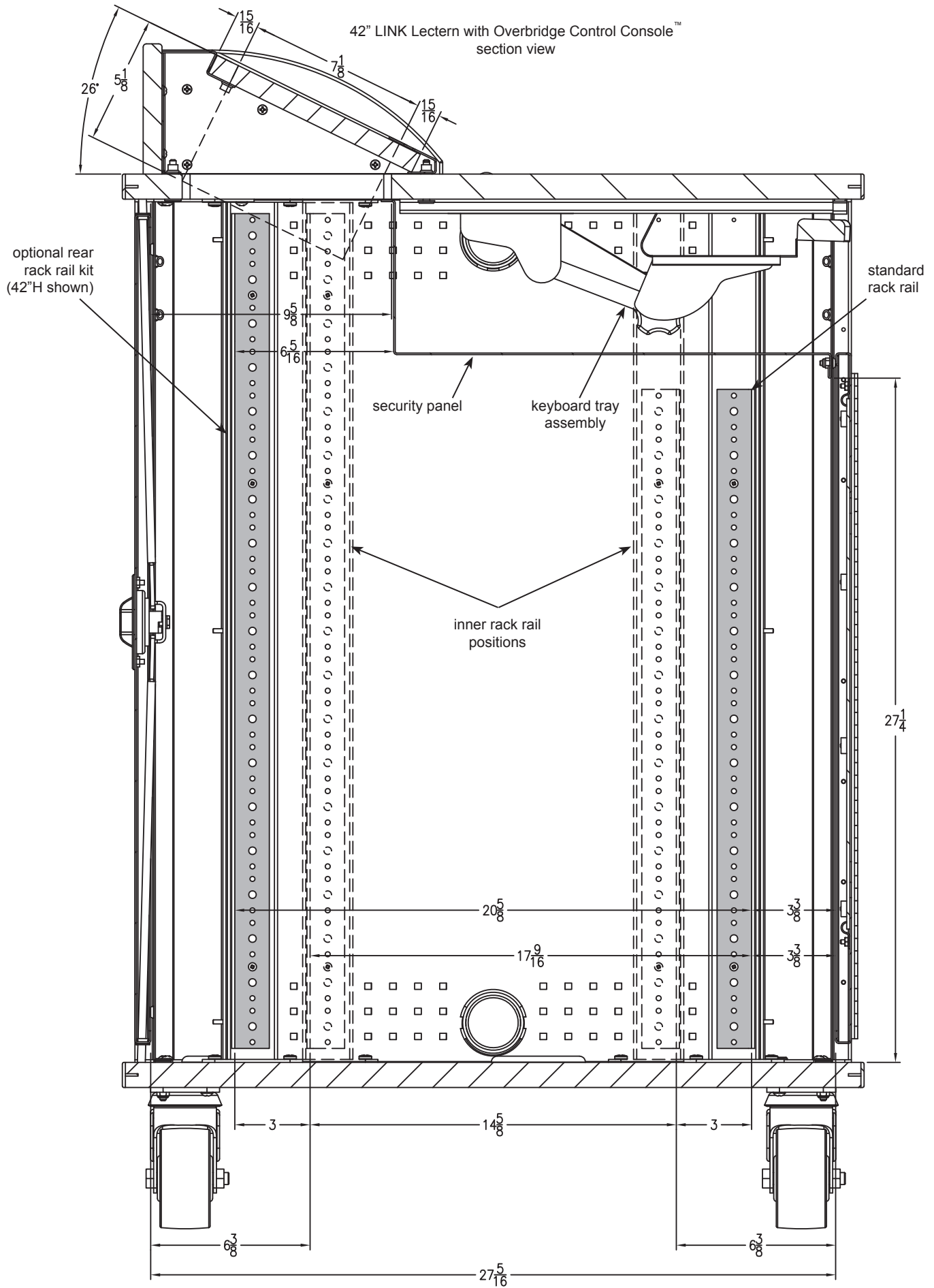
42" LINK Lectern  
with Toe Kick



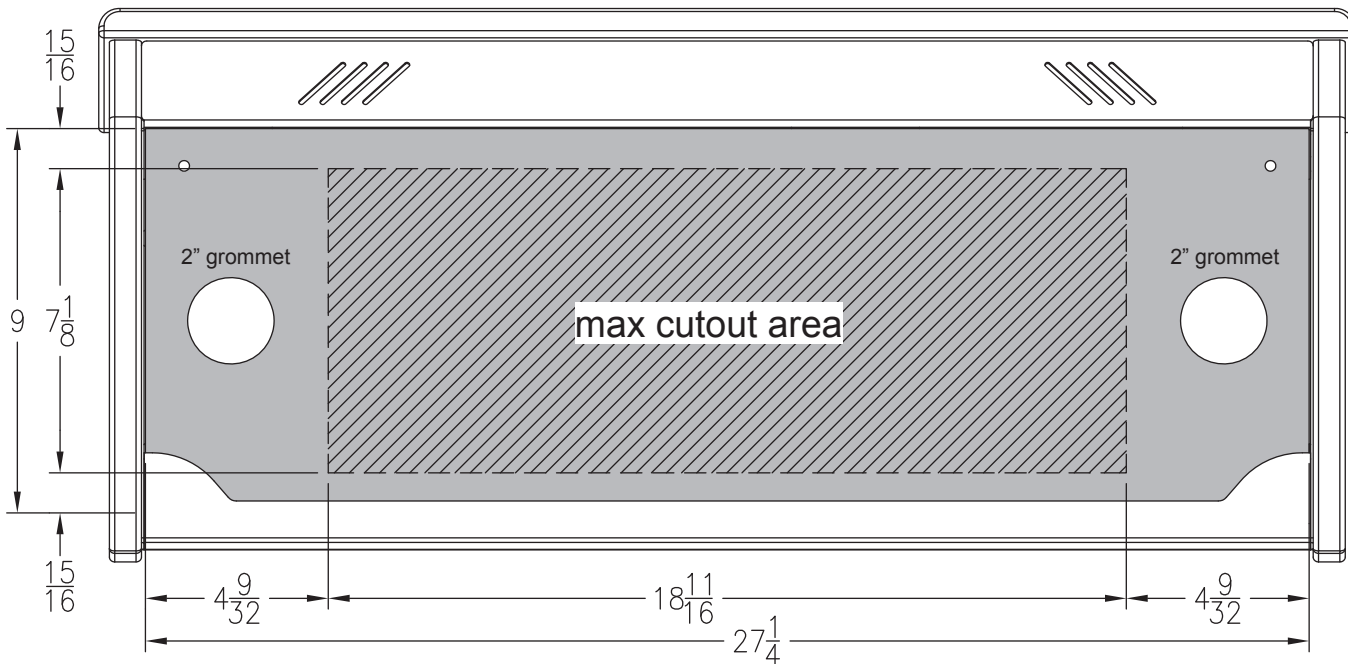
42" LINK Lectern  
with Overbridge Control Console and HD casters



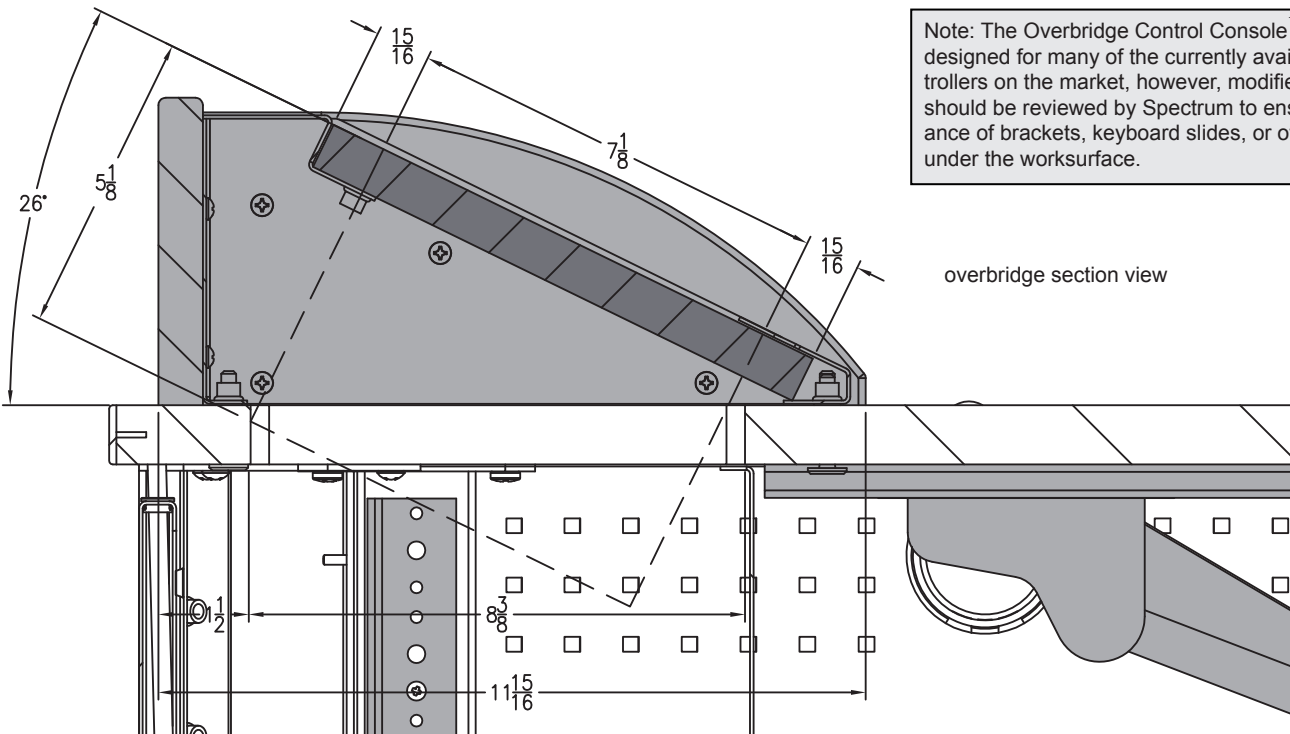
42" LINK Lectern with Overbridge Control Console™  
section view



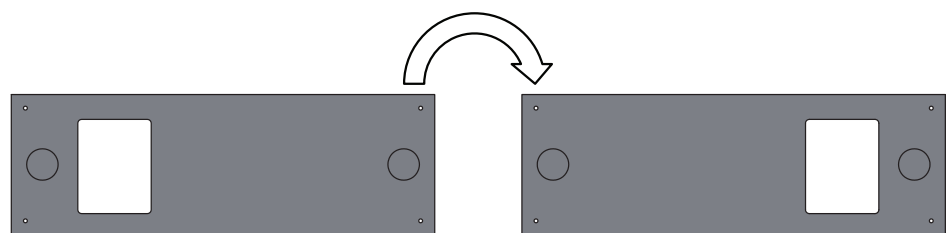
LINK Lectern overbridge panel blank  
(flat view)



Note: The Overbridge Control Console™ has been designed for many of the currently available controllers on the market, however, modified cutouts should be reviewed by Spectrum to ensure clearance of brackets, keyboard slides, or other objects under the worksurface.



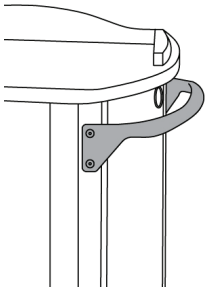
Note: The insert panel shown (*shaded*) is **not** included with the lectern or overbridge. This option needs to be ordered separately to complete the overbridge. This insert panel is horizontally symmetrical and can be easily removed, rotated, and re-installed if a cutout needs to be relocated to the opposite side of the overbridge.



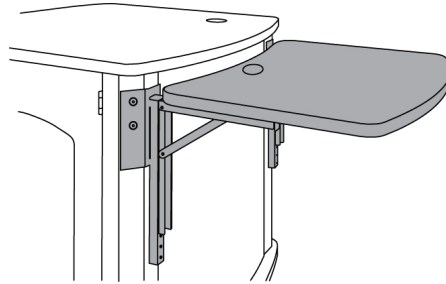


# Options

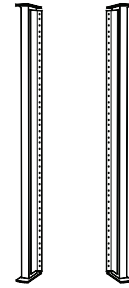
Note: Flip-up document shelf and steel handle are interchangeable and can be mounted on either side.



**Steel Handle**  
27½"W  
55132

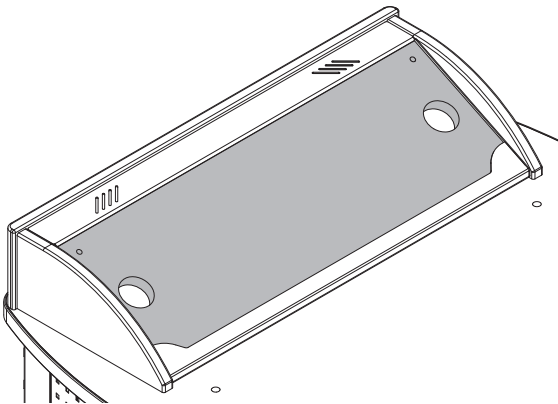


**Flip-up Shelf**  
22¾"W x 26¼"D  
(mounts on left or right side)  
includes 2" grommet, adjustable-height  
(50 lbs max capacity)  
55140

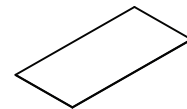


**LINK Lectern Rear Rack Rail Kit**  
55139 - 42" 19RU (15RU full-depth)  
55134 - 36" 15RU (12RU full-depth)

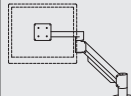
Note: Power and communication wiring for document cameras, laptop computers, and/or projectors placed on the flip-up shelf should be routed on top of the audience-side of the shelf. Use of the shelf grommet hole for wiring will result in pinching of the cords when the shelf is folded.



**Overbridge Insert Panel**  
for overbridge version only-contact Spectrum to specify cutout size(s) and position(s)-overbridge not available separately  
(includes two 2" grommets with covers)  
96504 - blank panel  
96504mod - panel with cutout(s)

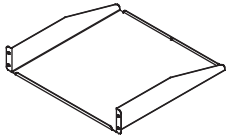


**Non-Slip CPU Pad**  
11"W x 23"D  
95518

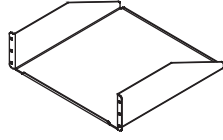


**Flat Panel Monitor Arms & Tablet Mounts**  
(See the Spectrum website or catalog for the latest available monitor arm & tablet mounting options)

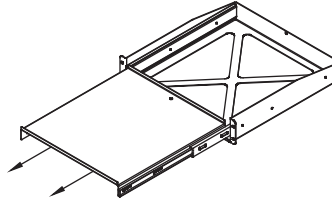
# Rack-mount accessories



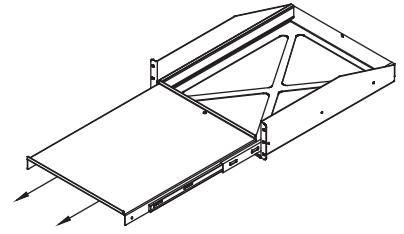
**Cantilever Shelf (2RU)**  
 17½"W x 18"D x 3½"H  
 (50 lbs max load)  
 97504



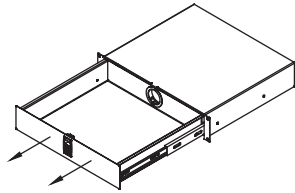
**Cantilever Shelf (3RU)**  
 17½"W x 18"D x 5¼"H  
 (80 lbs max load)  
 97502



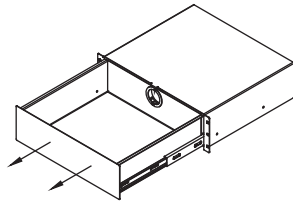
**Pull-Out Shelf (2RU)**  
 16½"W x 17¼"D  
 (50 lbs max load)  
 97505



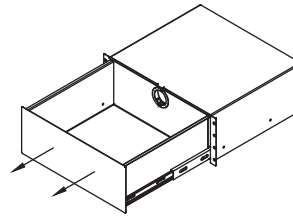
**Pull-Out Shelf (3RU)**  
 16½"W x 21¼"D  
 (80 lbs max load)  
 97503



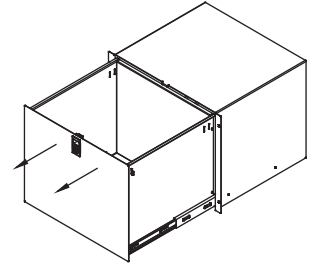
**Locking Drawer (2RU)**  
 interior dims:  
 15¾"W x 13¼"D x 2⅞"H  
 (25 lbs max load)  
 97514



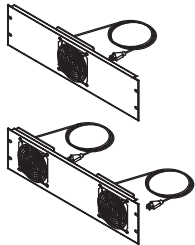
**Drawer (3RU)**  
 interior dims:  
 15⅙"W x 14½"D x 5¼"H  
 (50 lbs max load)  
 97518



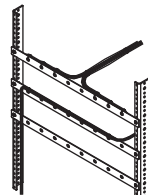
**Drawer (4RU)**  
 interior dims:  
 15⅙"W x 14½"D x 7"H  
 (50 lbs max load)  
 97519



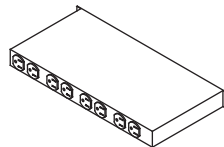
**Locking File Drawer (8RU)**  
 with file holder  
 interior dims:  
 15¾"W x 13⅞"D x 13⅞"H  
 (50 lbs max load)  
 97515



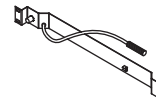
**Cooling Fans (3RU)**  
 19"W x 2"D x 5¼"H  
 Single Fan-97507  
 Double Fan-97506



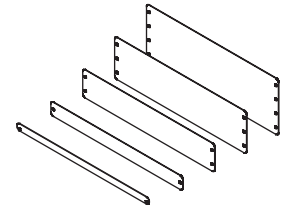
**Wire Lace Kit**  
 3 lace straps included  
 95517



**9-Outlet Power Strip (1RU)**  
 19"W x 9"D x 1¼"H  
 99021

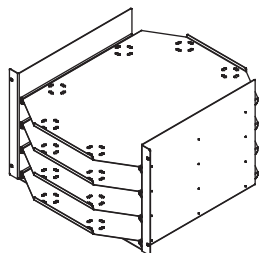


**Flexible Halogen Light (1RU)**  
 19"W x 2"D x 1¼"H  
 99033



**Rack-Mount Blanks**  
 (fills rack spaces where components are not needed)

- 97516 - (½ RU)
- 97510 - (1RU)
- 97511 - (2RU)
- 97512 - (3RU)
- 97513 - (4RU)



**LT-4 Laptop Storage Unit (7RU)**  
 (stores 4 laptops horizontally)  
 laptop tray dims:  
 16¼"W x 20½"D x 2⅞"H  
 97517

# Warranty

## WE WILL MAKE IT RIGHT FOR YOU!

Spectrum is committed to provide complete customer satisfaction. Each of our products is manufactured from the best materials available and each product is stringently monitored throughout the production process through our P.A.C.E. program (Product Assurance to meet Customer Expectations).

We expressly warrant that Spectrum products will be of good quality and workmanship and free from defect for the period set out in the warranty table below from the date of delivery. This warranty shall not apply to defects or damage resulting from misuse, abuse, neglect, improper care, modification or repair not authorized by Spectrum, or any other cause outside the control of Spectrum. Spectrum will, at its sole option, either repair or replace the defective product.

This warranty is exclusive; no other warranty, written or oral, is expressed or implied. This warranty is given by Spectrum to Buyer and to no other person or legal entity. No Spectrum dealer, distributor, agent or employee is authorized to make any modification or addition to this warranty.

**NOTWITHSTANDING ANYTHING TO THE CONTRARY, SPECTRUM WILL NOT UNDER ANY CIRCUMSTANCES BE LIABLE FOR INDIRECT OR LIQUIDATED DAMAGES, INCLUDING CONSEQUENTIAL, INCIDENTAL AND SPECIAL DAMAGES. IN NO EVENT SHALL SPECTRUM'S LIABILITY, WHETHER UNDER CONTRACT OR WARRANTY, IN TORT OR OTHERWISE, EXCEED THE PURCHASE PRICE RECEIVED BY SPECTRUM FOR THE PRODUCT AT ISSUE AND "RECALL ACTION" EXPENSES. SPECTRUM SHALL NOT BE SUBJECT TO ANY OTHER OBLIGATIONS OR LIABILITIES, WHETHER ARISING OUT OF BREACH OF CONTRACT, WARRANTY, TORT (INCLUDING NEGLIGENCE AND STRICT LIABILITY) OR OTHER THEORIES OF LAW, WITH RESPECT TO PRODUCTS SOLD OR SERVICES RENDERED BY SPECTRUM, OR ANY UNDERTAKINGS, ACTS OR OMISSIONS RELATING THERETO.**

Our Customer Service Department is ready to provide immediate attention to any questions, comments or concerns. They are available to answer your calls Monday through Friday from 7 am to 5 pm CST. In addition your product comments or concerns are welcome via e-mail at: [spectrum@spectrumfurniture.com](mailto:spectrum@spectrumfurniture.com).

Warranty Table

Item	Warranty Period
<ul style="list-style-type: none"> <li>Adjustable Crank/Electric Desk Legs</li> <li>Flat Panel Desk Gas Cylinders</li> </ul>	<ul style="list-style-type: none"> <li>1 Year</li> </ul>
<ul style="list-style-type: none"> <li>Adjustable Height Chair Parts – including frames, gas cylinders, wood and plastic parts, and control handles Adjustable Height Chair Parts Casters</li> <li>Adjustable Height Chair Upholstery</li> <li>In-Stock Upholstery</li> <li>Graded-In Fabrics and Customer Owned Material</li> </ul>	<ul style="list-style-type: none"> <li>7 Years</li> <li>2 Years</li> <li>2 Years</li> <li>No Warranty</li> </ul>
<ul style="list-style-type: none"> <li>Height Adjustable Columns and Lifts</li> <li>General Use Casters</li> <li>Electrical</li> <li>Keyboard/Mouse Trays</li> </ul>	<ul style="list-style-type: none"> <li>1 Year</li> </ul>
<ul style="list-style-type: none"> <li>Flat Panel Monitor Arm – General Parts</li> <li>Flat Panel Monitor Arm – Gas Cylinders</li> </ul>	<ul style="list-style-type: none"> <li>5 Years</li> <li>2 Years</li> </ul>
<ul style="list-style-type: none"> <li>Computer Desk Chassis</li> <li>Cart Chassis</li> <li>Lectern Chassis</li> </ul>	<ul style="list-style-type: none"> <li>10 Years</li> </ul>



205 Westwood Ave, Long Branch, NJ 07740  
 Phone: 866-94 BOARDS (26273) / (732)-222-1511  
 Fax: (732)-222-7088 | E-mail: [sales@touchboards.com](mailto:sales@touchboards.com)



**INDOOR AIR QUALITY**  
 Indoor Advantage | Furniture

