

# SESAMEE – K436

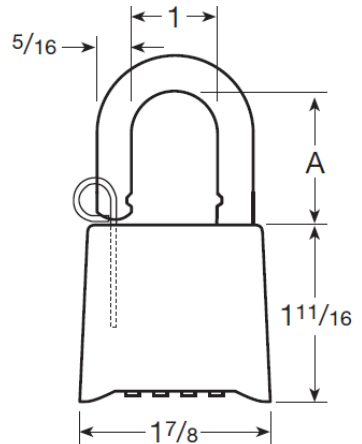
## Resettable keyless padlock

### TO OPEN:

Padlock is pre-set to 0-0-0-0. Turn the wheels to this combination. Depress shackle.

### TO SET OR CHANGE COMBINATION:

1. Open lock.
2. Push change pin down into open shackle hole as far as it will go --down to bend in the pin (see drawing).
3. While the pin is fully inserted, set combination to your chosen number. Pick a number you will remember and write it down as a record.
4. Pull out the change pin. Lock is now set to the new combination.



### TO LOCK:

Turn the wheels to scramble the numbers. Depress Shackle.

### TO RE-OPEN:

Dial-in your secret combination and depress the shackle.

### MAINTENANCE:

Lubricate occasionally with powdered graphite. Do not use oil.

### OPENING IN THE DARK:

All Sesamees have been designed for sightless operation.

When turned in the correct direction, all wheels will stop at 0-0-0-0.

Once this has been done, simply turn each wheel in the reverse direction and count the clicks until you reach your combination.

FOR USE ON: