

# QUICK START

## iJ36 CART



Visit our website for detailed instructions and setup video.

[www.lockncharge.com/support](http://www.lockncharge.com/support) (International)

[www.pclocs.com.au/support](http://www.pclocs.com.au/support) (AUS and NZ)

### what's included?



x2



x2



x1



x36



x1\*



x1



x2

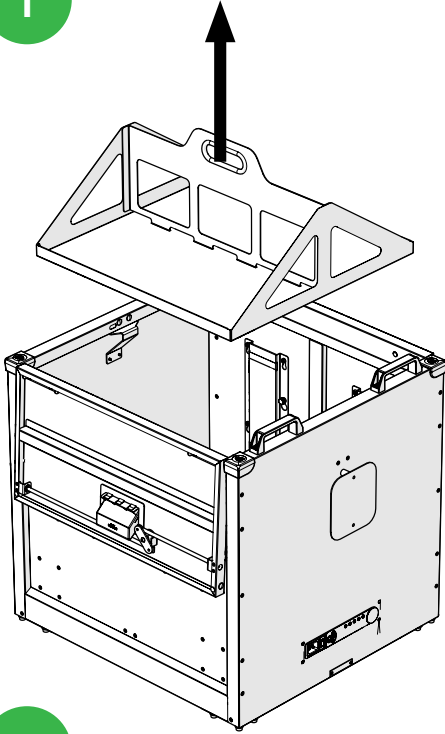


x2

\*Power cord supplied to suit specific countries/regions.

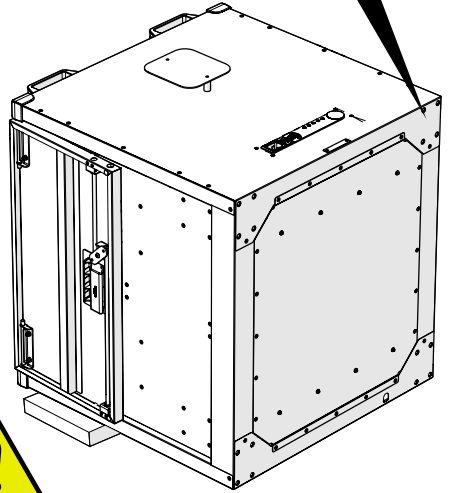
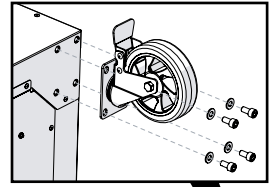


1



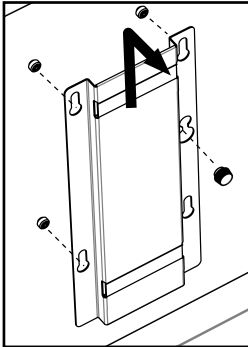
2

x4  
(2 braked, 2 non-braked)



Use a piece of packing foam for protection when carefully laying down the cart

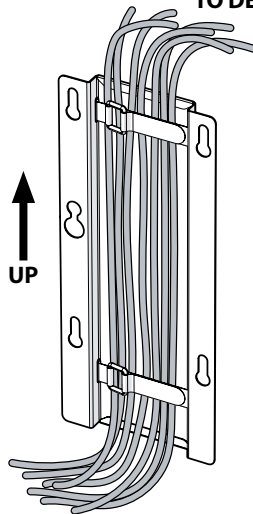
3



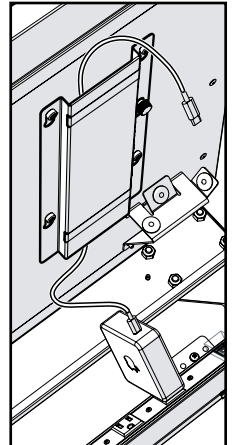
Loosen the thumbscrew and slide keyholes over the studs to remove the cable management cover.

Connect the device power adaptors in the base of the cart and route the device cables through the strap as shown. Fasten the cable to the cover using the strap. Replace the cable management cover.

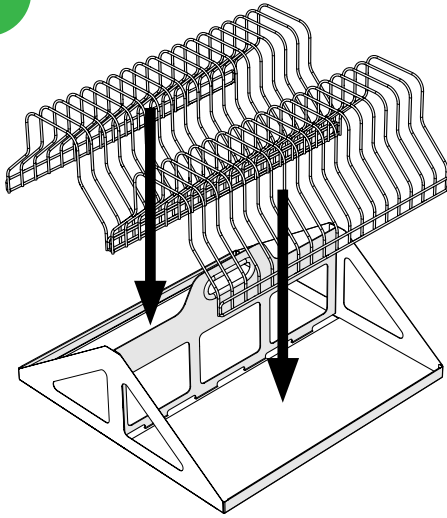
TO DEVICE



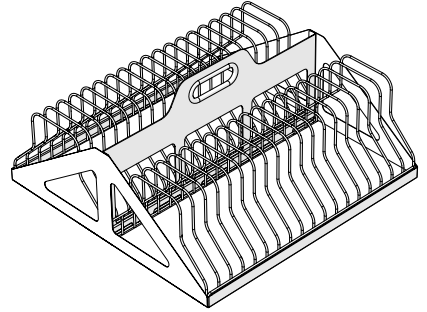
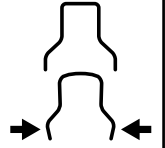
TO POWER



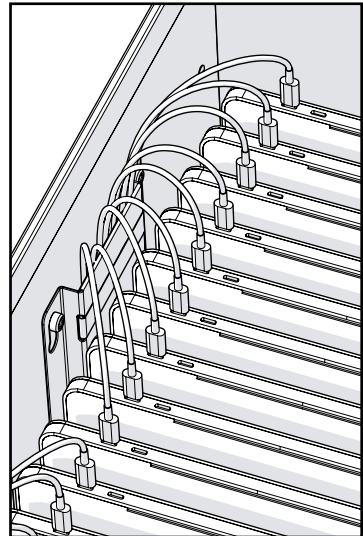
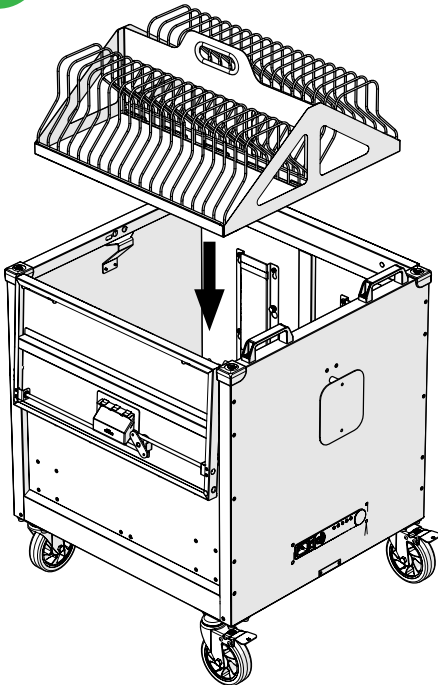
4



May need to compress the rack slightly to fit on the tray



5

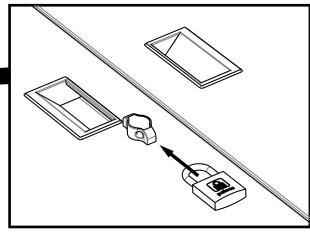
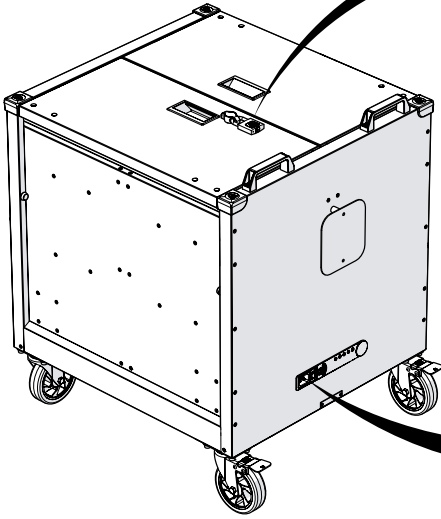


Populate racks with notebook devices and plug the charging cables to commence charging.

Adjust the length of charging cables if necessary.

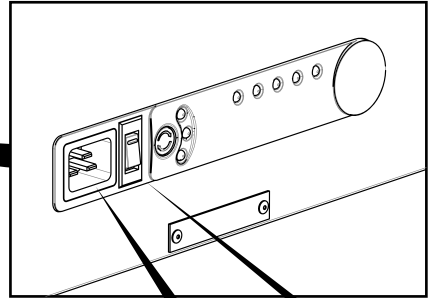
\* Notebook devices not included

6



Refer to ECO Safe Charge™ User Instruction for operation guide.

Visit our product support page online to view the ECO Safe Charge™ video instruction



1

2