

INSTRUCTIONS: IC 30 CART™ (MK5)



Congratulations on your purchase.

Follow these instructions for easy and fast set-up of your iC 30 Cart.

For video instructions, go to <https://vimeo.com/228320306>



Warranty:

PC Locs/LocknCharge warrants the product to be free of defects in design, materials, assembly and craftsmanship from the date of purchase to the original retail purchaser. Evidence of original purchase will be required to obtain warranty service.

In the event that a defect, malfunction or failure occurs or is discovered during the warranty period, PC Locs/LocknCharge will repair or replace, at its option, the products which in the reasonable judgment of PC Locs/LocknCharge are deemed defective. All transportation costs shall be borne by the owner and the risk of loss shall be upon the party initiating the transportation.

The warranty does not apply to any product that has been subject to misuse, tampering, neglect, or accident or as a result of unauthorized alterations or repairs to the product. The warranty is in lieu of all warranties expressed or implied, including the implied warranties of merchantability and fitness for a particular purpose which are expressly excluded or disclaimed. In no event will PC Locs/LocknCharge, their directors, officers, employees, or agents be liable for any harm, consequential, incidental, third party, special or indirect damages whatsoever arising out of the use or inability to use the products even if PC Locs/LocknCharge has been advised of the possibility of such damages.

PC Locs/LocknCharge obligation is strictly and exclusively limited to the replacement or repair of any defective products. Some states do not allow the exclusion or limitation of incidental or consequential damages, so the above limitation or exclusion may not apply to you.






Disclaimer:

This information is the intellectual property of IWS Global Pty Ltd and may not be distributed, duplicated or copied in part or full without the written permission. Since the use of this information, the equipment connected and the conditions by which any IWS Global product is used is beyond the control of IWS Global, it is the obligation of the owner and/or user to determine the correct and safe use of any equipment and product. To the extent that the law permits, any liability which may be incurred as a result of the use or future use of a product manufactured or sold by IWS Global is limited to the cost of repairing or replacing the failed product or component at the discretion of IWS Global either within, or outside of warranty periods, and does not extend to any loss or damage which may be caused as a consequence of misuse or failure of the equipment or product or the information contained herein. IWS Global shall not in any event be liable for economic loss of profits, indirect, special, bodily injuries or consequential damages.

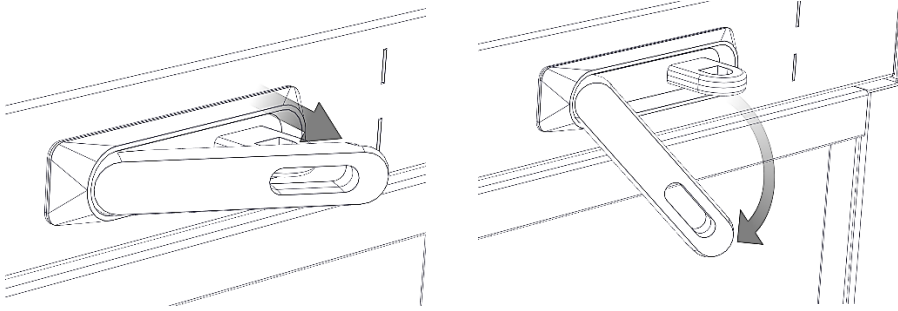
Specifications and images are for illustration purposes only. Final product may differ and is subject to change without notice.

PC Locs, LocknCharge and the Padlock device are Trademarks of IWS Global Pty Ltd.
Copyright IWS Global Pty Ltd, January 2017.

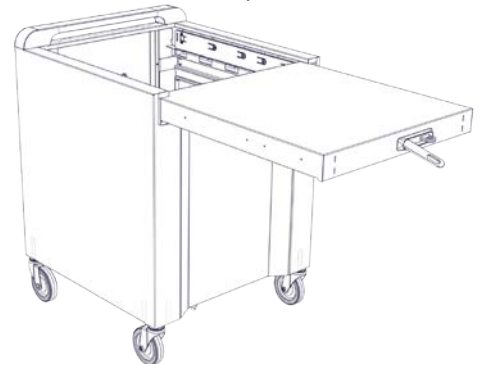
Parts Box

Quantity	Item	Image
2	Instructional booklets	
2	Number stickers 1 - 40	
30	Velcro cable ties	
1	3m Extension Power cord <i>(UK version image for illustration only)</i>	
1	Remote control for ECO Safe Charge	
1	Key ring	
1	Combination Padlock	

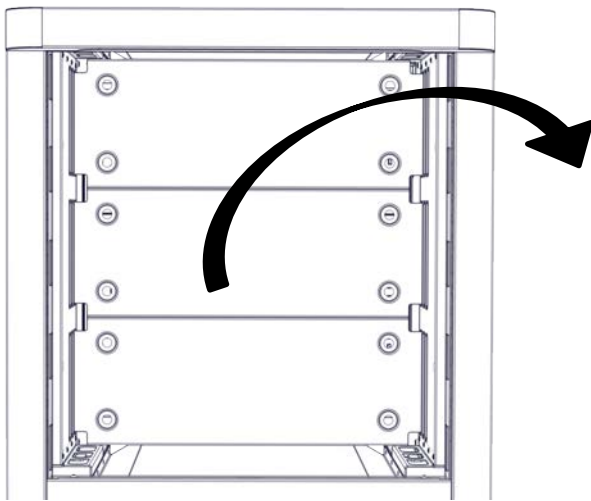
Swing the handle to unlock the sliding top



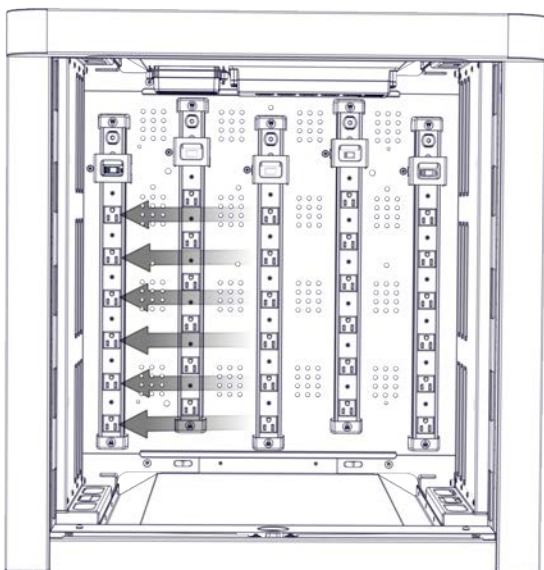
Use the handle to open



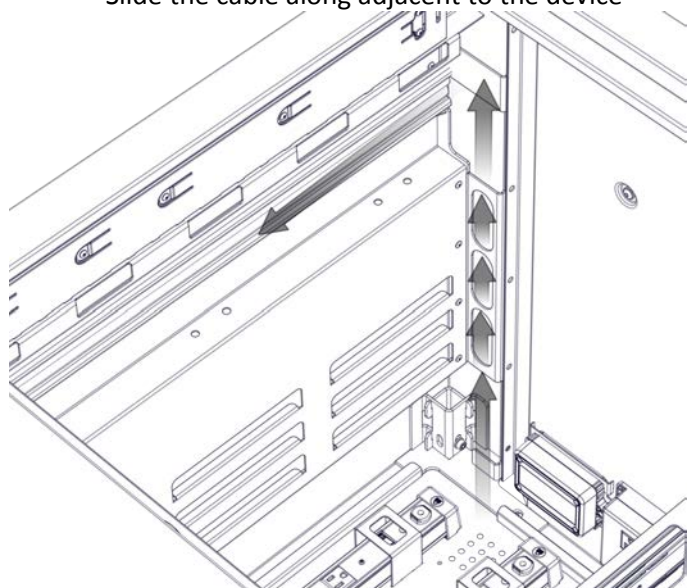
Remove the plastic carry baskets, the mat and the three shelves by lifting on the pull-hole. Lay the shelves on a scratch-proof surface



Insert all the device adaptors into the power strips

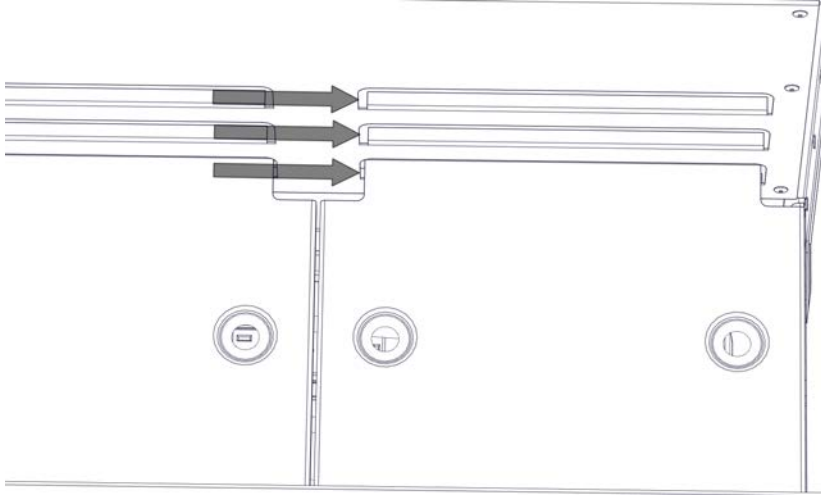


Run the cable up through the hole at the end
Pull the cable through the rubber grip.
Slide the cable along adjacent to the device



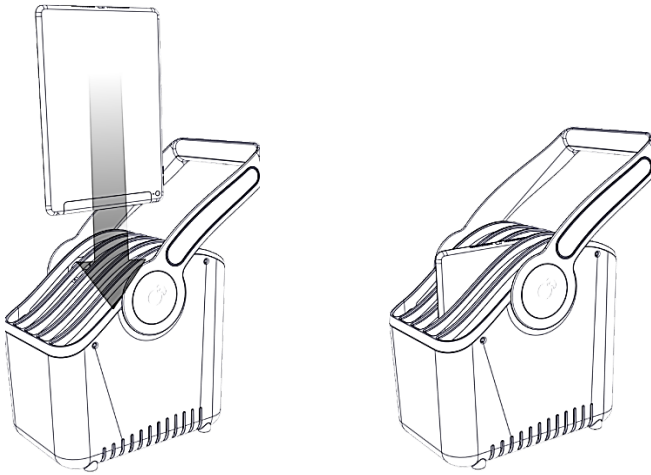
Insert the remaining cables. Evenly space the cables along the rubber grip

Replace the shelves. Note: there are 3 positions the shelves can be inserted at



Insert the shelves at the height suiting your devices – for smaller devices choose the highest position; for large devices choose the lowest position

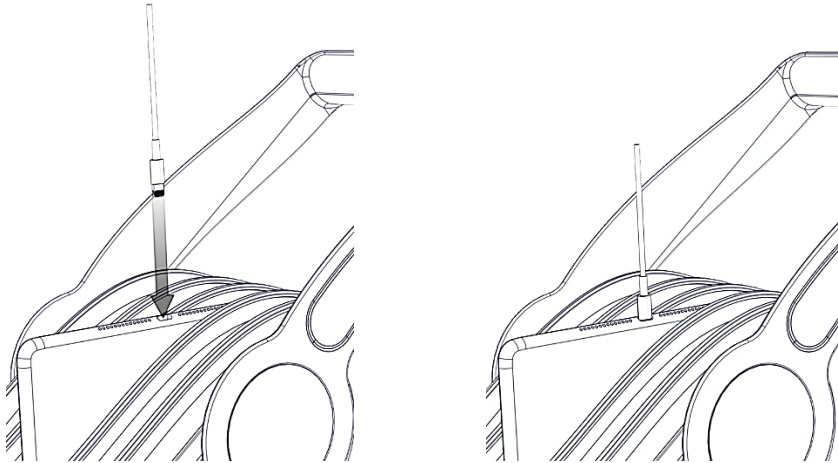
Replace the carry baskets and insert the devices



Use the supplied Velcro cable ties to tidy the cables

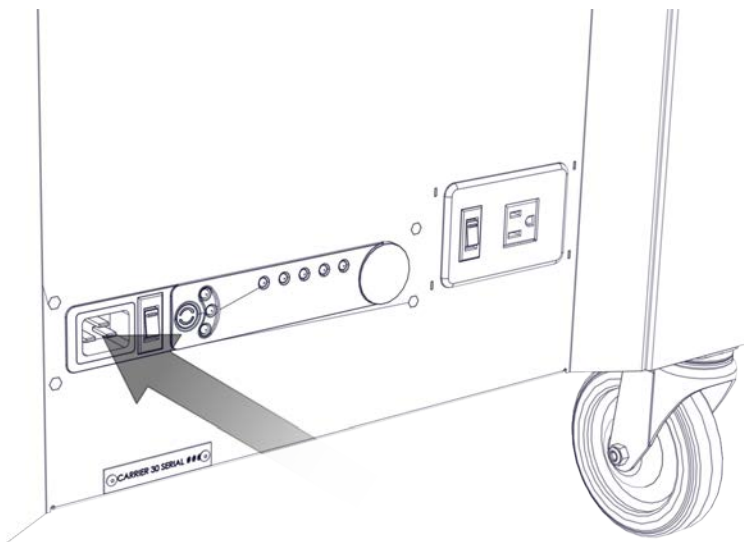


Insert each device plug



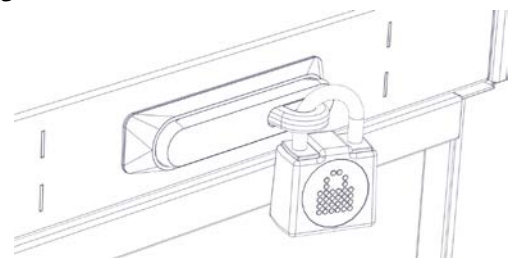
Connect the power cable. Plug cable into cart and into the wall socket*. The devices will start to charge when power is "On"

Use the cable cleat to store cable when not in use



**Refer to separate instructions for how to operate the ECO Safe Charge*

For security, close the sliding lid, swing the handle closed and lock the padlock.
The devices can be charged with the sliding lid closed



Turn on the iC 30 Cart by pushing the green 'ON' button on the ECO Safe Charge™ power board or by pairing the remote control with the cart.

Pairing the remote control to the Cart:

- Remove the battery tab from the back of the remote control.
- Press and hold the green button on the ECO Safe Charge™ power board until the LED flashes
- Press any button on the remote control.

For detailed ECO Safe Charge™ instructions visit our websites:

www.lockncharge.com (International site) or www.pclocs.com.au (Australia and New Zealand).

For video instructions, go to <https://vimeo.com/194627704>.