

QUICK START

IC 30 CART™ (MK5)



VIDEO INSTRUCTIONS:
<https://vimeo.com/228320306>



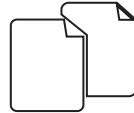
DETAILED INSTRUCTIONS:
Visit our website and press the support button.



x1



x1



x3



x1



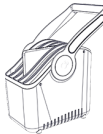
x30



x2

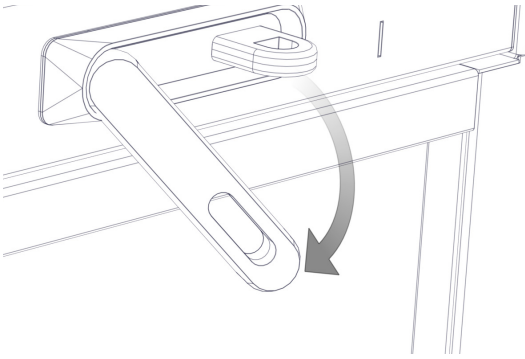


x1

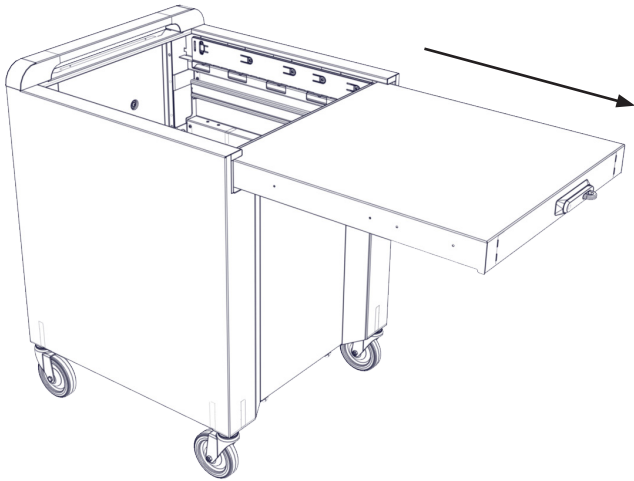


x6

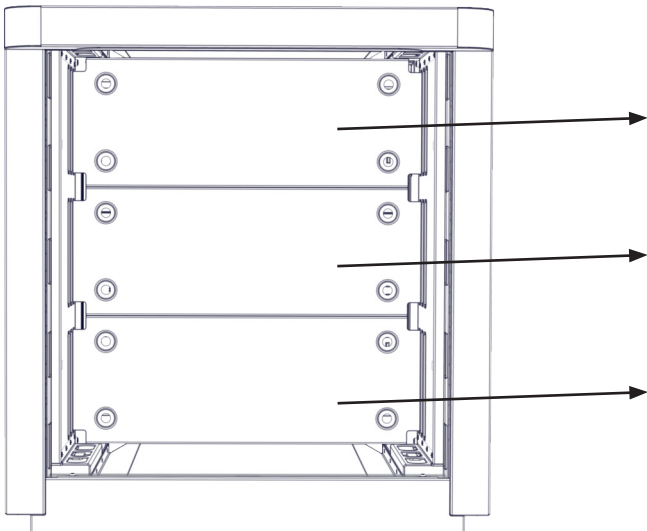
1



2

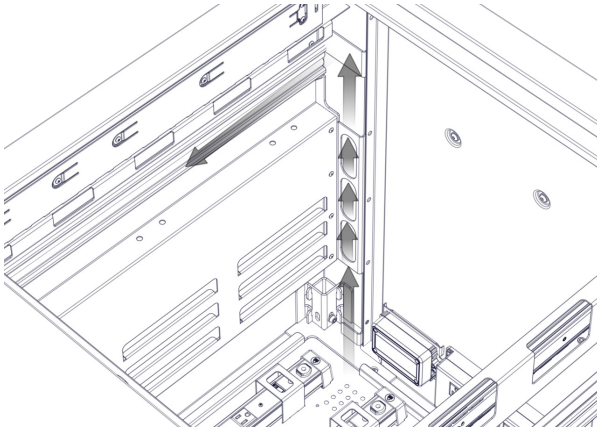


3

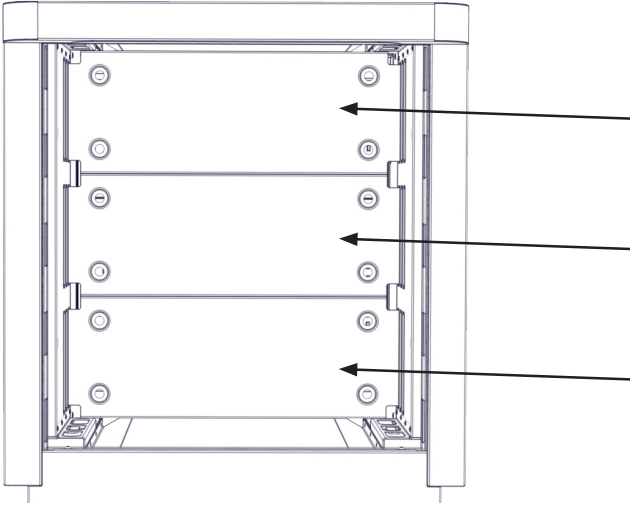


4

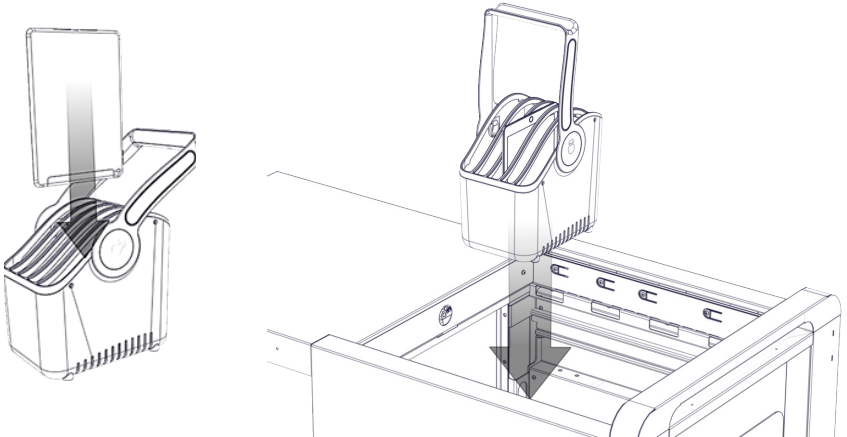
Connect chargers and
install device cables



5

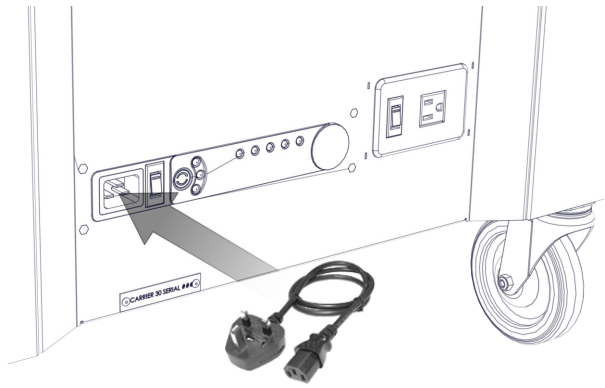
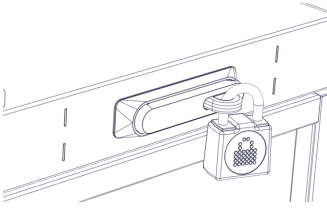


6



7

Lock and charge



8

Using ECO Safe Charge™



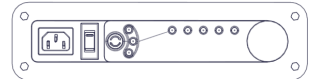
ADDITIONAL INSTRUCTIONS:
Detailed instructions included in the box.



VIDEO INSTRUCTIONS:
<https://vimeo.com/194627704>

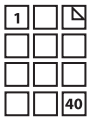


DETAILED INSTRUCTIONS:
Visit our website and press the support button.



9

Manage your devices



USE NUMBERED STICKERS:
Organise your device with the supplied stickers.



BUNDLE YOUR CORDS/CABLES:
Use the velcro straps supplied to manage your device cables.

10

Visit our website for more details



VISIT:
www.lockncharge.com (International site)
www.pclocs.com.au (Australia and New Zealand)