

Quick Start

SPHERO CHARGING CASE

Charge, store, secure and carry up to six Sphero Robots*



VIDEO INSTRUCTIONS:

<https://vimeo.com/233422734>

Visit www.lockncharge.com/spherostart for more information.

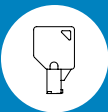
*Sphero robots, charging bases and micro USB cables not included.

Not compatible with Sphero 1, Sphero 2.0 and Sphero SPRK edition.

what's in the box?



x1



x2



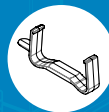
x1



AU/US/
UK+EU



x1



x6



x1

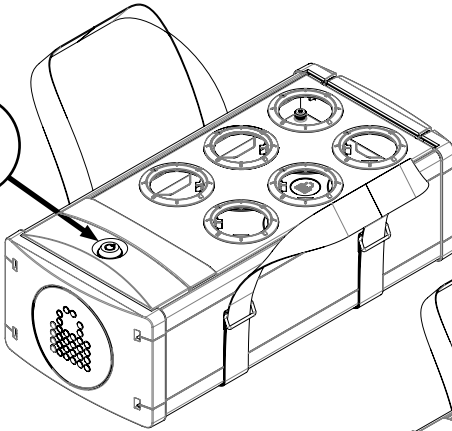


lockncharge

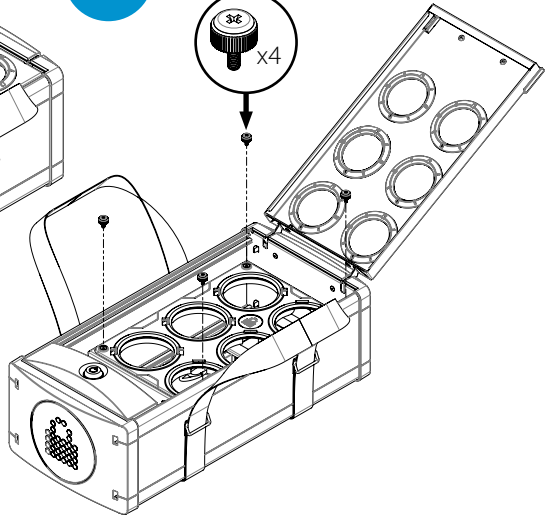


pclocs

1



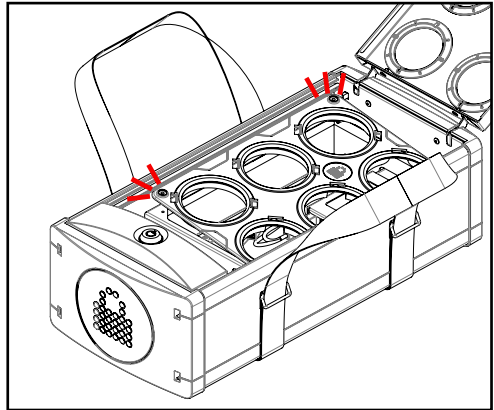
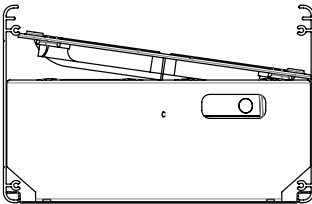
2



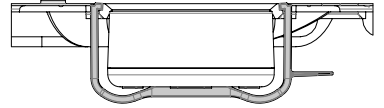
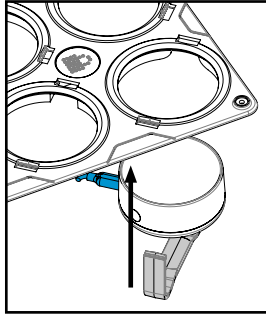
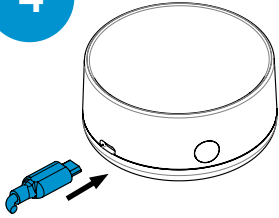
3



Carefully remove tray past interference



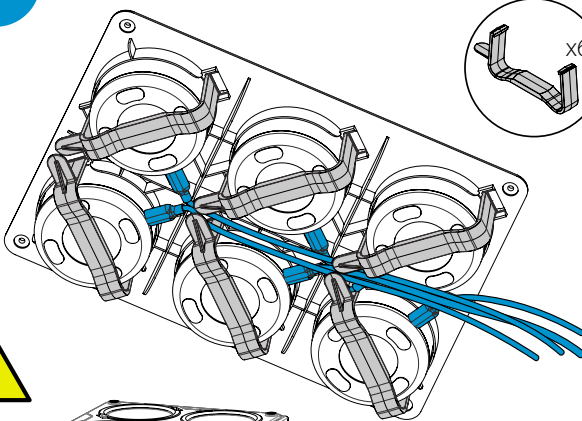
4



Make sure the bracket is correctly aligned. Apply sufficient force to push the bracket through the tray.

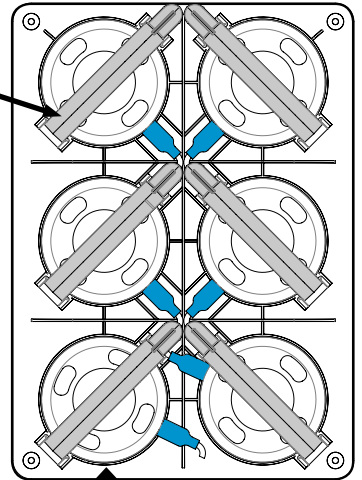
5

RECOMMENDED CABLE LAYOUT



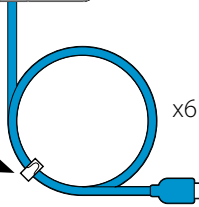
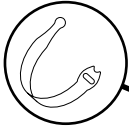
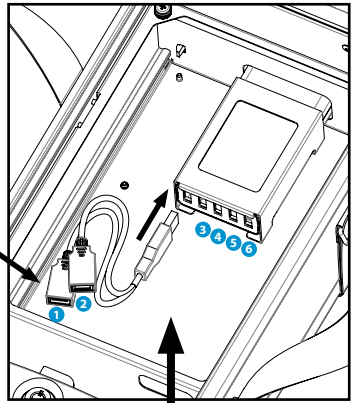
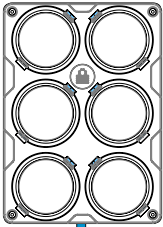
RESET BUTTON

Adjust the Sphero charging base to allow access for the reset button through the access hole.

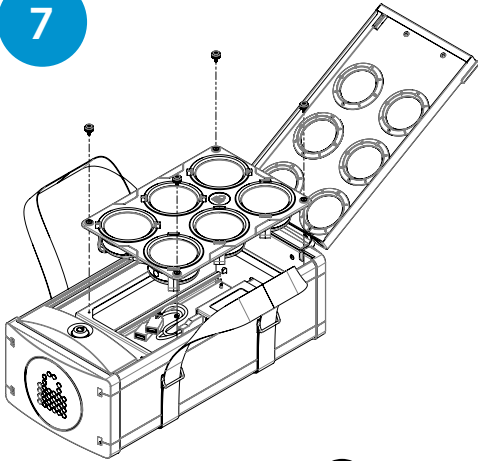


RESET BUTTON

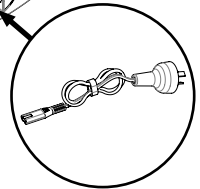
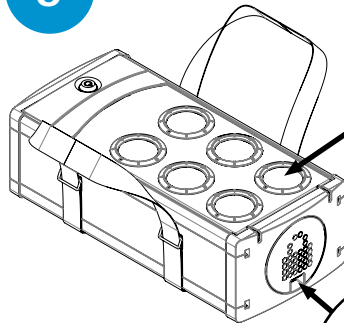
6



7



8



lockncharge



pclocs