

Follow the steps below to check your device's compatibility with the Joey 40 Cart.

1

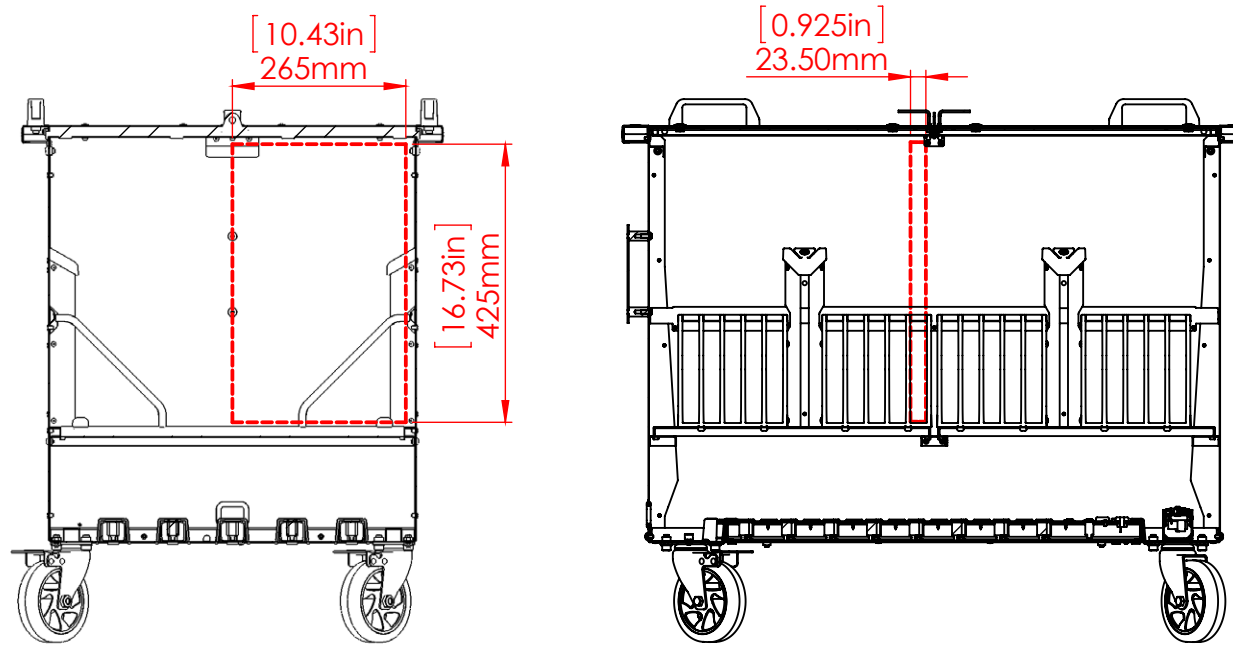
Connect the power cable and measure your device. Check the length, height and thickness.

2

Check device dimensions against the **below** measurements to determine if your device is compatible with the Joey 40 Cart. The illustration below gives you a visual illustration.

3

If your device is smaller than the measurements shown below, your device is compatible.



PRODUCT NAME	DESCRIPTION	TOTAL DEVICES PER STATION	MAX DIMENSIONS: (including power connector - mm)	MAX DIMENSIONS: (including power connector - inches)	POWER
Joey 40 Cart	Laptop/tablet/chromebook charging cart	40	265mm x 425mm x 23.5mm	10.43in x 16.73in x 0.925in	Power outlets

www.lockncharge.com

Phone: (888) 943 6803

info@lockncharge.com

Touchboards
 205 Westwood Ave, Long Branch, NJ 07740
 Phone: 866-94 BOARDS (26273) / (732)-222-1511
 Fax: (732)-222-7088 | E-mail: sales@touchboards.com

