

# QUICK START

## Putnam 18-C Base Pedestal



### VIDEO INSTRUCTIONS:

<https://vimeo.com/284290388>

Visit our website for detailed instructions.

[www.lockncharge.com/support](http://www.lockncharge.com/support) (International)

[www.pclocs.com.au/support](http://www.pclocs.com.au/support) (AUS and NZ)

### What's included?



x5



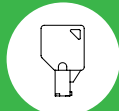
x4



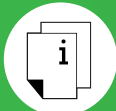
x1



x2

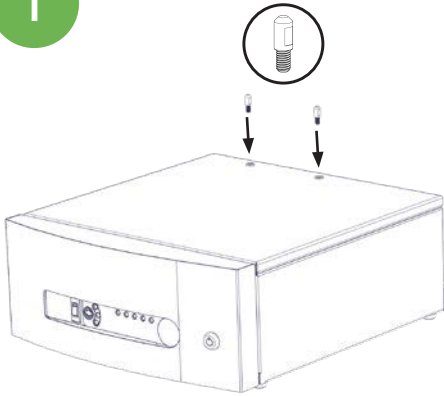


x2



x2

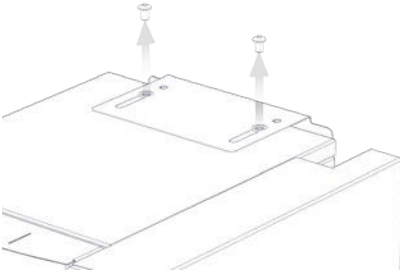
1



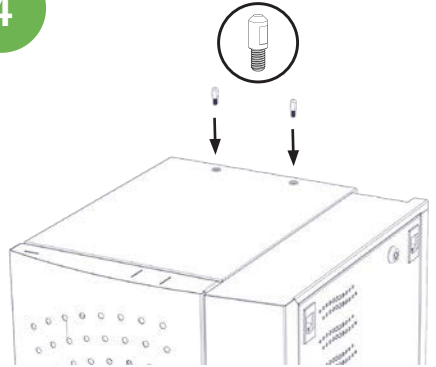
2



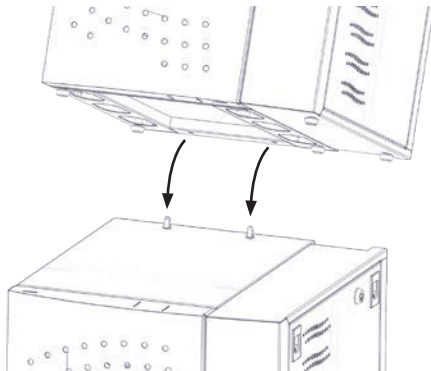
3



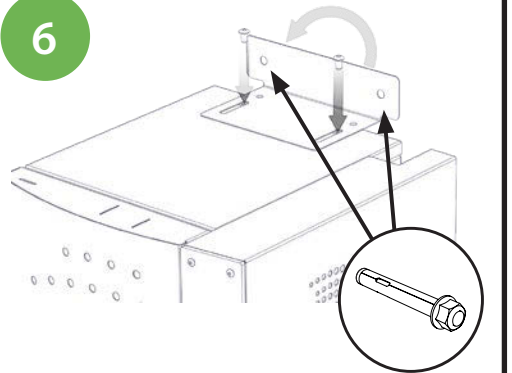
4



5



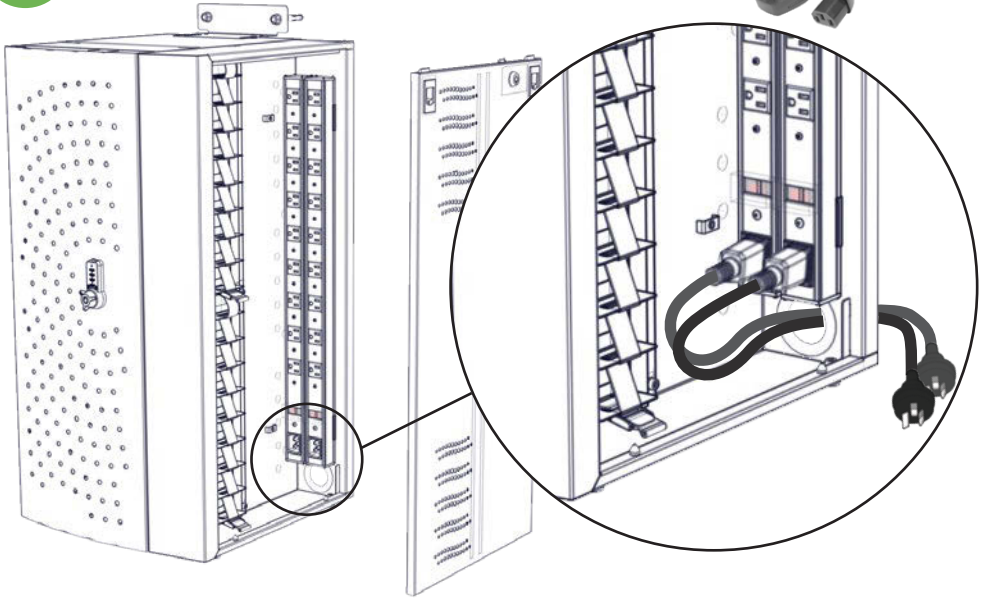
6



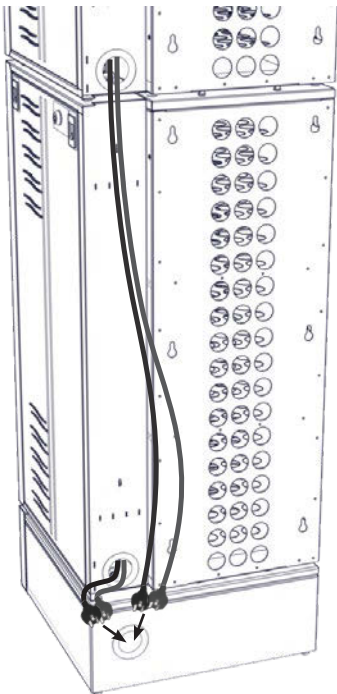
**MANDATORY!!**  
Fix Unit to the wall using the supplied bracket before use.

7

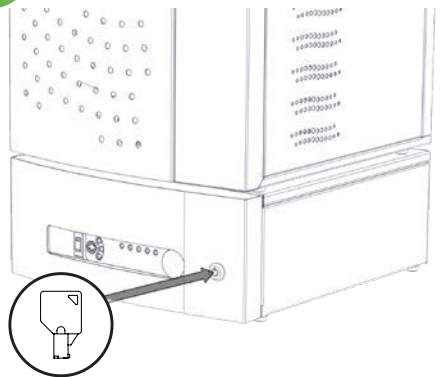
Replace Y-cables with supplied cables

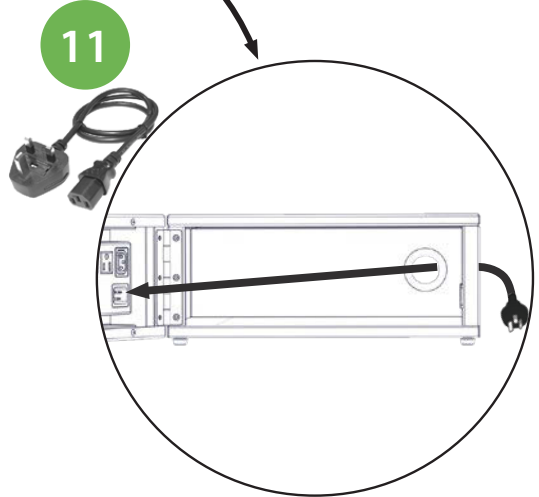
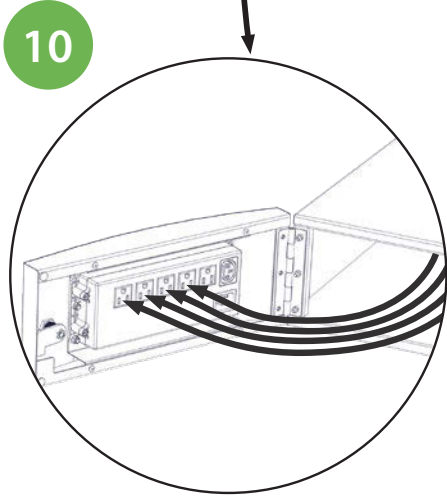
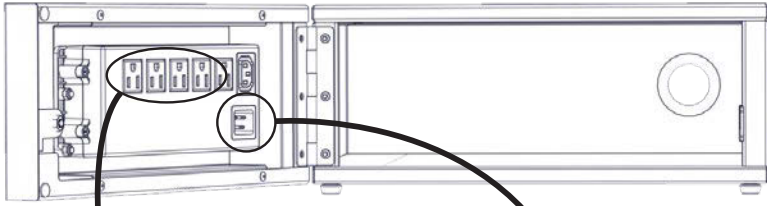


8



9





12 **Using the ECO Safe Charge™**



ADDITIONAL INSTRUCTIONS:  
Detailed instructions included in the box.



VIDEO INSTRUCTIONS:  
<https://vimeo.com/194627704>



DETAILED INSTRUCTIONS:  
Visit our website and press the support button.



13 **Visit our website for more details**



VISIT:  
[www.lockncharge.com](http://www.lockncharge.com) (International site)  
[www.pclocs.com.au](http://www.pclocs.com.au) (Australia and New Zealand)