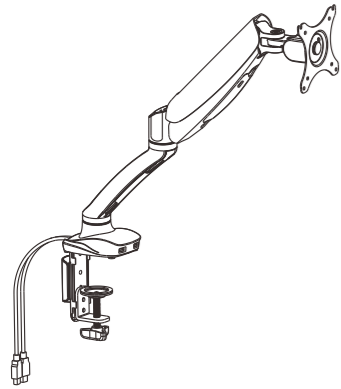


Item No.:D5U

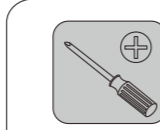
Installation guide



M4X12MM A (4PCS) M5X12MM B (4PCS) M6X12MM C (3PCS) M6X10MM D (2PCS) Φ6.5XΦ13X1.8 F (8PCS)

4X4 Allen key G (1PCS) 5X5 Allen key H (1PCS)

① Bottom support 1	1PCS	1
② Screw	1PCS	
③ Washer	1PCS	
④ Butterfly knob	1PCS	
⑤ Bottom support 2	1PCS	2
⑥ Knob	1PCS	
⑦ Cable cover 1	1PCS	3
⑧ Nylon ties	6PCS	
⑨ Anti-slip rubber 1	4PCS	
⑩ Anti-slip rubber 2	1PCS	
⑪ Anti-slip rubber 3	2PCS	
⑫ Cable cover 2	1PCS	



STEP2-B

Option 2:Grommet

▲ For table thickness:0.79"-3.54"

1. Attach screw (2) to bottom support (1).

2. Insert screw (2) into the desk. Keep the counterbore side down.

3. Insert nylon ties (9) into the cable cover (7).

4. Insert the assembly into the desk hole. Size of the hole: 0.33"-2.76".

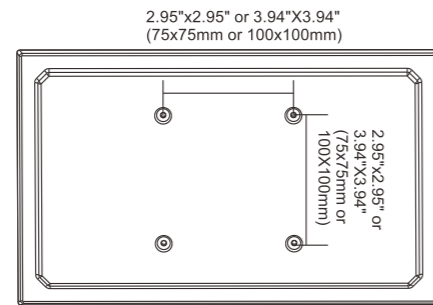
5. Insert anti-slip rubber (11) and cable cover (3).

6. Tighten the butterfly knob (4) to secure the assembly to the desk.

STEP1

Preparations before installing monitor

1. Make sure there are VESA holes 2.95"x2.95" or 3.94"x3.94" (75x75mm or 100x100mm) in the monitor. If not, the mount couldn't be installed.
2. Remove the original fixed base of monitor. Be careful not to scratch the screen.



STEP3

Attaching the monitor to the plate

Increase washer (F) based on actual situation.

To adjust the monitor with the supplied 5x5 allen key (H).

▲ The original set weight capacity range is 4.4-6.6lbs. Adjust the monitor's height after installing. If the monitor cannot stop at any height, pls use the supplied 5x5 allen key to adjust the screw on the arm. To make the mount and monitor's weight equal and it can stop at any height, pls adjust the screw in "-" direction when the monitor up and "+" direction when it down.

Adjustment angles: ±90°, ±180°, -85°~15°.

STEP4

Using cord management

Insert the bottom part, then lock the bayonet.

Take off the cord and put the cable in, then use screw to lock the cord.

STEP2-A

Option 1:Clamp

1. Attach cable cover (5) to the arm.

2. Insert nylon ties (9) into the cable cover.

3. Attach the bottom support (10) to the arm.

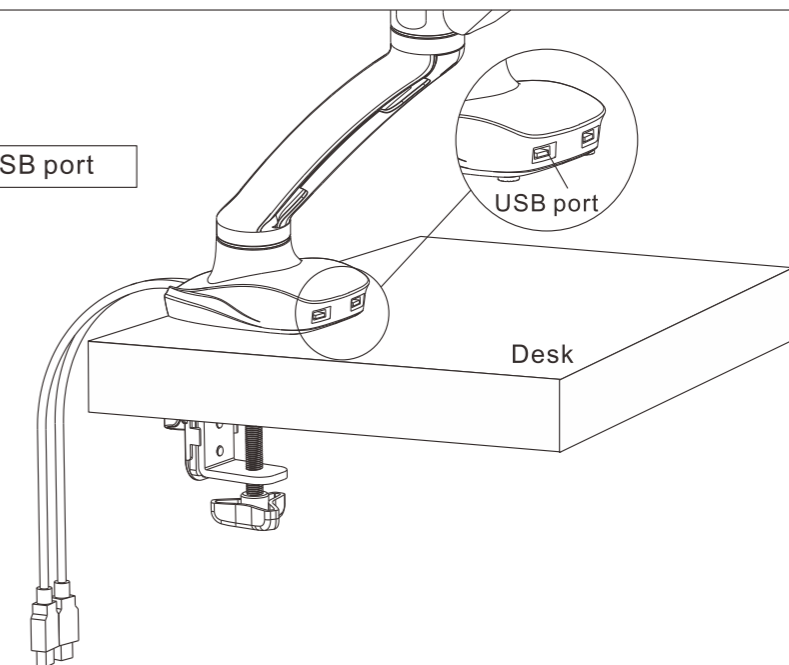
4. Insert the assembly into the desk hole. Desk thickness: 0.79"-3.94".

5. Tighten the butterfly knob to secure the assembly.

▲ For table thickness:0.79"-3.94" Select right holes according to the thickness of desk

STEP5

Attach the data cable to the USB port





CAUTION

This product contains small items that could be a choking hazard if swallowed. Keep these items away from young children.

- Make Sure these instructions are read and completely understood before attempting installation. If you are unsure of any part of this installation, please contact a professional installer for assistance.
- The desk or mounting surface must be capable of supporting the combined weight of the mount and the display, otherwise the structure must be reinforced.
- Safety gear and proper tools must be used. A minimum of two people are required for this installation. Failure to use safety gear can result in property damage, serious injury or death.
- please check joint parts every two months, making sure the screws are loosened or not.

This product was designed to be installed on desk. Before installing, make sure the mount will support the combined load of the equipment and hardware. Never exceed the maximum load capacity 3.3-11 lbs, or else it may result in product failure or personal injury.

Note: this product is intended for indoor use only. Use of this product outdoors could lead to product failure or personal injury.

Warning: This product contains high pressure gas spring parts, please do not put it into fire, high temperature, or disassemble it, which will lead to unexpected personal injury. The obsolete products can be sent back to the manufacturer or handed over to professional institutions.

To ensure the sealing performance of the gas spring, it is suggested to have complete adjustment to the upper arm (with spring) one time or several times every month.

ZOXOU INC.

ADDRESS: 47618 Kato Road, Fremont, CA, 94538 United States.

TEL: 1-855-421-2808

Facebook: Loctek

Twitter: LoctekOfficial

LOCTEK VISUAL TECHNOLOGY CORP (MANUFACTORY)

ADDRESS: No.588 Qihang South Road, Binhai Industrial Zone, Yinzhou District, Ningbo China.

WEB: www.loctek.com