

# FITSTAND™ PL SERIES | SIT-STAND DESK

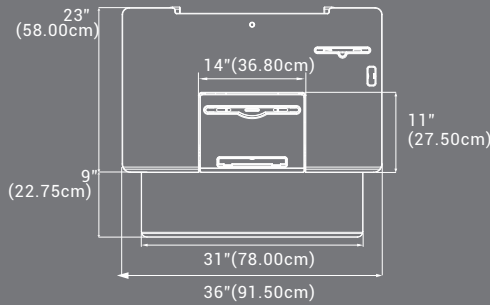
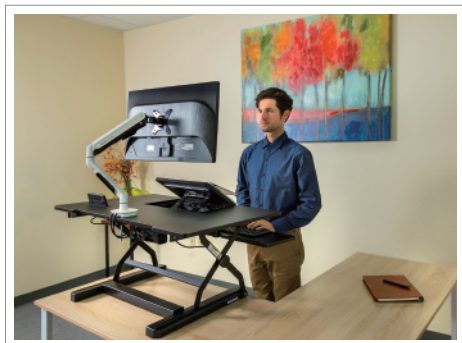
## FEATURES

- Straight up and down movement minimizes space requirement and provides enhanced stability
- Gas spring offers smooth and even support, with 12 available height adjustment options
- Built-in document holder
- USB port integrated in desktop
- Easy to adjust height with one lever
- Adjustable ergonomic keyboard tray



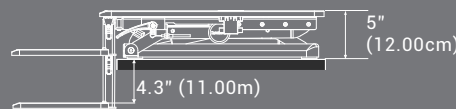
USB Port

Color: Black Mahogany White



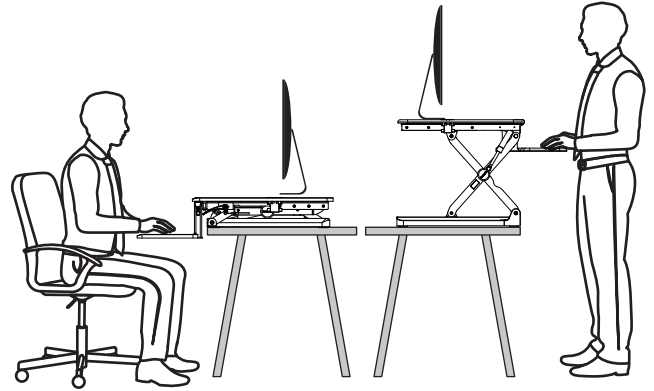
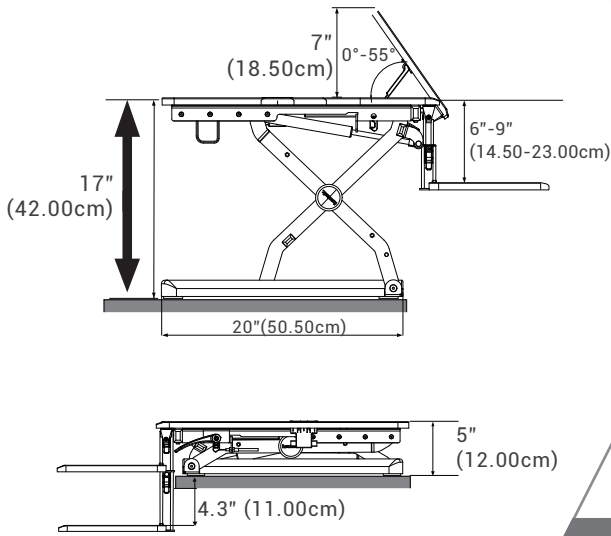
### PL36

**WEIGHT CAPACITY**  
Desktop + Keyboard Tray ≤40lbs | 18.14kg  
**DESKTOP SURFACE**  
36\"(W) x 23\"(D) | 91.44cm(W) x 58.42cm(D)  
**MAX HEIGHT**  
17\" | 42.00 cm  
**CONFIGURATION**  
Regular



Adjustable ergonomic keyboard tray with multiple height adjustments that allow it to be lowered up to 5\" below the table.

# FITSTAND™ PL SERIES | SIT-STAND DESK



Placing this workstation on a 28" high desk will support people up to 6'1" tall  
Placing this workstation on a 31" high desk will support people up to 6'5" tall



Model #	PL36	
Part #	PL36	PLE36
Total Weight Limit	≤40lbs (18.14kg)	
Desktop Weight Capacity	≤35lbs (15.88kg)	
Keyboard Tray Weight Capacity	≤5lbs (2.27kg)	
Worksurface Dimensions	36" W x 23" D (91.44 x 58.42cm)	
Keyboard Tray Dimensions	31"W x 9" D (78.00 x 22.75cm)	
Keyboard Tray Options	2" below table	4.3" below table
Document Holder Tilt	7" H (18.50 cm) 0° - 55°	
Workstation Lift	17" (42.00cm)	
Configuration	Regular	
Fits on Tables	22" (55.90cm) or deeper	
Applied Monitor Size	Up to two 24" screens	
Shipping Dimensions	38.0"x8.1"x25.8" (96.50X20.50X65.50cm)	39.0"x8.1"x26.2" (99.00x20.50x66.50cm)
Gross Weight	51lbs (23.0kg)	51lbs (23.3kg)
Warranty	6 years	