

LOCTITE[®]

EQ CL32 LED Spot 365nm

EQ CL32 LED Spot 405nm

2182210

2182207



Operating Manual
Bedienungsanleitung



Contents

1	Please Observe the Following	3
1.1	Emphasized Sections	3
1.2	Items Supplied	3
1.3	For your Safety	4
1.4	Field of Application	4
2	Description	5
2.1	Theory of Operation	5
2.2	Operating Elements and Connections.....	5
3	Technical Data, Safety Features.....	6
3.1	Technical Data.....	6
3.2	UV Data	6
3.3	Safety Features	6
3.4	Mounting Clamp.....	6
4	Prerequisites.....	7
4.1	Environmental and Operating Conditions.....	7
4.2	Charging the Device	7
5	Operation.....	7
5.1	Handheld Operation.....	7
5.2	Automated Operation.....	8
5.2.1	Installing	8
5.2.2	Operating.....	8
5.3	Time Programming and Mode Selection	9
6	Maintenance and Service	9
7	Annex	10
7.1	Spare Parts and Accessories.....	10
7.2	Error Notifications	10
7.3	Pin Assignment Control Interface.....	10
7.4	Error Detection in Automated Control Systems	11
8	Declaration of Conformity	12

1 Please Observe the Following



Before installing the system: For safe and successful operation of the unit, read these instructions completely. If instructions are not observed, the manufacturer will not accept any liability.

Be sure to keep the manual close at hand for further reference.



The WEEE symbol on this equipment indicates that this product may not be treated as household waste. By ensuring this product is disposed of correctly you will help prevent potential negative consequences for the environment. For more information about where you can drop off your waste equipment for recycling, please contact your local city office or your waste disposal service.

1.1 Emphasized Sections



Danger!

Refers to safety regulations and required safety measures that protect the equipment operator or other persons from injury or danger to life.



Caution!

Emphasizes what must be done or avoided so that the unit or other property shall not be damaged.



Note!

Gives recommendations for better handling of the unit during operation or adjustment as well as for service activities.

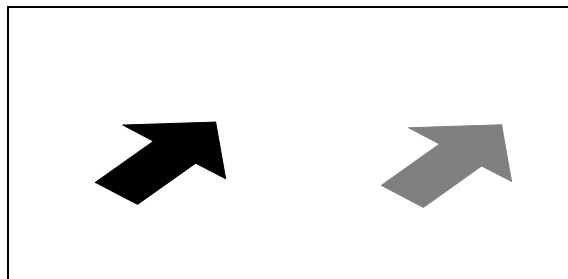
The numbers printed in bold in the text refer to the corresponding position numbers in the illustration on page 5.

- The point emphasizes an instruction step.

Instruction steps in the illustrations are indicated with arrows.

Where several instruction steps are indicated in an illustration, the color coding of the arrow has the following meaning:

- Black arrow = 1st step
- Grey arrow = 2nd step



1.2 Items Supplied

1 EQ CL32 LED Spot 365 nm, order no. 2182210
or

1 EQ CL32 LED Spot 405 nm, order no. 2182207

1 AC Adaptor / Charger USB

1 USB-A to mini-USB cable, length 1.8 m

1 Operating Manual



1 Tip Guard Rubber

Note!

If the EQ CL32 LED Spot will be used as a stationary device, order EQ CL32 Mounting Kit. The order no. is given in section 7.1 "Spare Parts and Accessories".



Note!

As a result of technical development, the illustrations and descriptions in this operating manual may deviate in detail from the actual unit delivered.

1 Please Observe the Following

1.3 For your Safety

Along with the safety information presented in this manual, please refer to the Technical Data Sheet of the respective adhesive. Download from www.loctite.com or request the Technical Data Sheet and the Safety Data Sheet from your Henkel Technical Service. INSTRUCTIONS given in these data sheets must be followed completely at all times! While under warranty, the unit may be repaired by an authorized Henkel service representative only.



Danger!

Do not look directly at LED-UV light, or at LED-UV light reflected by a reflective surface. Doing so could cause eye damage.

Wear protective UV eyewear and protective clothing during operation and in surrounding area. Exposure could injure the skin or eyes.

Be careful not to drop or apply shock to the EQ CL32 LED Spot. Doing so may damage the product.

Never operate this product any way other than described in this manual. Doing so risks exposure to LED-UV light.

Never disassemble, repair, or modify this product in any way other than specified in this Operating Manual. Disassembling this product could cause exposure to LED-UV light, causing eye damage or injury to the skin.

Do not expose this product to water. Do not deform, short-circuit, disassemble or modify the lithium-ion-battery inside the product.

Follow the manufacturer's instructions! Request a safety data sheet for the Loctite® product to be processed!

Any defects found must be reported immediately! Remedy any defects immediately!

Use only original replacement and spare parts. We cannot be held responsible for damage or injury of any kind because of failure to observe the instructions in this Operating Manual.

Comply with safety regulations according to currently valid standards!

The device may be repaired only by a Henkel authorized service.

1.4 Field of Application

The EQ CL32 LED Spot is designed for use with light cure products that cure when exposed to ultraviolet and/or visible light.

Curing takes place when the light is directed at the liquid adhesive. The time required to complete the curing process depends primarily on the offset distance from the UV outlet of the device to the surface of the adhesive and the type of adhesive being used.

2 Description

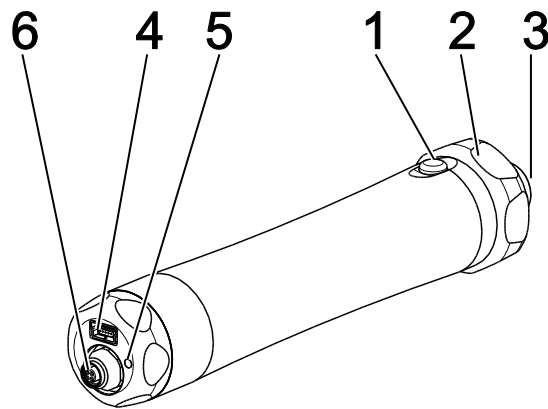
2.1 Theory of Operation

The EQ CL32 is used in mobile and stationary applications, where UV adhesives are cured reproducibly at high intensities. It allows time controlled and continuous UV exposure.

In mobile applications, a trigger button is used to start the exposure, either in timed or in continuous mode of exposure. The device contains a battery, so it can be used cordless in mobile applications. In stationary applications, the device is operated from its interface. The interface triggers the UV LED and allows monitoring of UV LED activity externally. The device is powered directly from USB in stationary applications.

To ensure reproducible curing processes the UV LED current and temperature are permanently monitored. If the UV LED current is incorrect (e.g. empty battery) or an over temperature occurs, curing is interrupted and an error is notified. The type of error is identified by a visible status indicator and a beep sound. It can be connected to a higher ranking controller for confirmation that the UV LED is on and OK.

2.2 Operating Elements and Connections



- 1 **Trigger Button**
- 2 **Tip Guard Rubber**
- 3 **UV Light Output Side**
- 4 **Mini USB Power Port**
- 5 **Indicator**
- 6 **Control Interface (M5 connector), pin assignment see section 7.3.**

3 Technical Data, Safety Features

3.1 Technical Data

Operating time	Cordless: up to 3.0 hours Permanently powered: limited by safety features
Battery	Li-Ion, 3.6 V, 2250 mAh, 8.1 Wh, exchangeable by LOCTITE service
Charging time	< 4.0 h fast charge < 5.5 h standard charge
Dimensions	Length 139 mm, max. diameter 30.3 mm
Max. length USB cable	2 m
Weight	~ 110 g
Storage temperature	-10 °C to +70 °C (+14°F to +158°F), dry/dust-free
Operating temperature	+5 °C to +45 °C (+40°F to +113°F)
Humidity	5 % to 95 % r. h. (non-condensing)
Protection Grade	IP 40

3.2 UV Data

EQ CL32 LED SPOT 365nm

Wavelength	365 nm
Output	min. 2.6 W/ cm ² at 10 mm distance
Irradiation Area	5 mm (rounded square shaped)
Homogeneity of irradiated area	± 50% within specified field
LED-Lifetime	> 6000 h @ 80 % emission

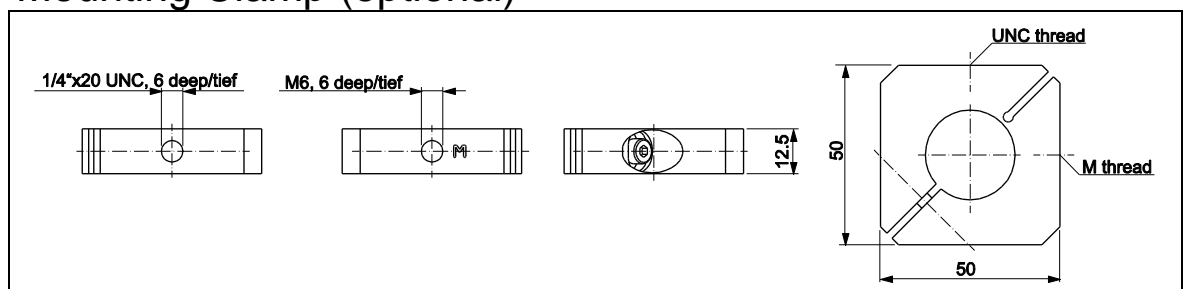
EQ CL32 LED SPOT 405nm

Wavelength	405 nm
Output	Min. 3.0 W / cm ² at 10 mm distance
Irradiation Area	5 mm (rounded square shaped)
Homogeneity	± 50% within specified field
LED-Lifetime	> 6000 h @ 80 % emission

3.3 Safety Features

UV LED over temperature	Switch-off at UV LED temperature > 50 °C
UV LED current error	Switch-off if UV LED current exceeds nominal value by ± 5 %
Battery safety limiting	Over- and undervoltage, overcurrent, excess temperature
Operation with defective battery	Yes, if directly connected to the supplied USB mains adaptor.

3.4 Mounting Clamp (optional)



4 Prerequisites

4.1 Environmental and Operating Conditions

- The equipment should be installed in a dry, dust-free place.
- The end of the device is positioned no closer than 4mm (0.157 inch) from the Loctite product being cured to minimize adhesive contamination on the light source tip. If adhesive should contaminate the optical output lens, use an appropriate optical tissue and isopropyl alcohol to clean it.

4.2 Charging the Device

If used cordless, the unit is powered by the internal battery and must be charged at a minimum if the unit notifies that the battery is empty.

- Plug in the USB power adaptor to the wall power and use the USB cable to connect the device. The indicator **5** on the rear side of the device lights up in red during charging.
- Unplug the device, when charging is finished. The battery is fully charged, if the indicator **5** on the rear side of the device lights up in green.

Status	Indication
Charging	red, continuous
Charge finished	green, continuous
Battery empty (or UV LED current error)	red, flashing at 1.5 Hz, beeping, for 10 s



Note!

The battery recharging time varies depending on the remaining battery capacity and charger type used. When the device is plugged to any USB mains adaptor or USB port, it automatically detects whether to charge fast or slow. With the supplied USB power adaptor the unit will always charge fast. If the battery is completely discharged or even defective, the device can be operated directly from the supplied fast charge mains adaptor. This feature is provided with the included mains adaptor only.

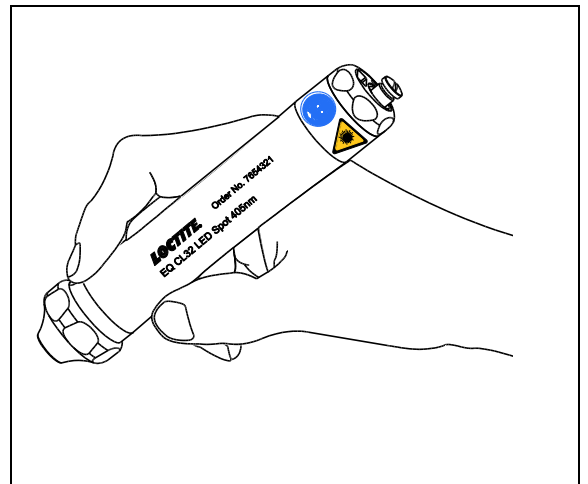
5 Operation

5.1 Handheld Operation

Two distinct modes are available, time controlled mode and continuous mode.

Continuous mode: Press the trigger button **1** as long as exposure is required. In this mode the duration of exposure is limited by safety features only. To change from time controlled mode to continuous mode, refer to section 5.3.

Time controlled mode: Press the trigger button **1** shortly to start exposure for the amount of time set. To set/reset the timer or change from continuous mode to time controlled mode, refer to section 5.3.



If the UV LED is on, the indicator **5** on the rear side of EQ CL32 LED Spot lights up in yellow. If the UV LED current or temperature is not OK, the device switches off and notifies an error. All error notifications are explained in section 7.2 “Error Notifications”. For hand-held use, the supplied tip guard rubber should be installed. It preserves the device from rolling away and it dampens mechanical shocks on the optical system.

5 Operation

5.2 Automated Operation

5.2.1 Installing

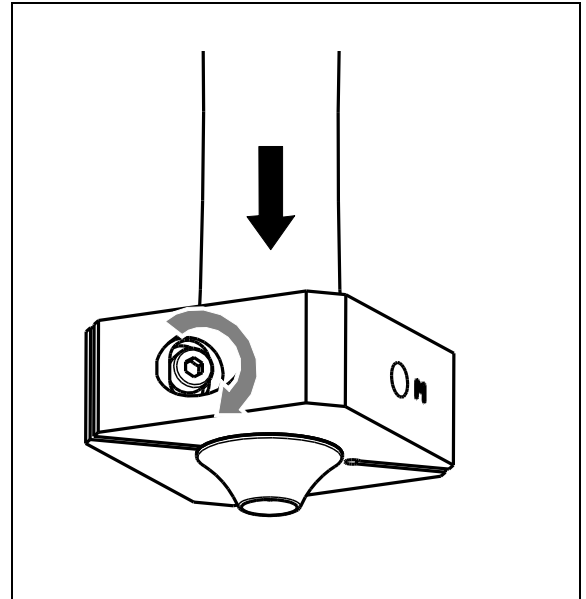


Install the EQ CL32 LED Spot using the EQ CL32 mounting kit.

Note!

The EQ CL32 Mounting Kit has to be ordered separately, for order number see section 7.1 “Spare Parts and Accessories”.

- First attach the mounting clamp either with the M6 thread or the UNC thread at the intended point.
- Withdraw the red tip guard rubber **2**.
- Slightly loosen the clamping screw.
- Insert the EQ CL32 LED Spot in the clamp as shown in the graphic on the right, ensuring the trigger button is not touched.
- Tighten the clamping screw carefully.
- Plug in a suitable M5 connection cable to the control interface **6** on the rear side of the device to establish a permanent connection to a higher-ranking controller. A suitable cable is part of the EQ CL32 Mounting Kit. The cable wires are connected to a higher-ranking PLC or control system. The pin configuration of the control interface and the color code of the connection cable are shown in section 7.3 “Pin Assignment Control Interface”.
- Plug in the USB power adaptor to the wall power and use the supplied USB cable to permanently supply the device on the USB power port **4**.



Note!

Only use the supplied mains adaptor and USB cables no longer than 2.0 m length. With other AC adaptors or longer USB cables an unlimited illumination time is not guaranteed.

5.2.2 Operating

- Make sure the EQ CL32 LED Spot is powered.

This is visually indicated by a red or green steady indication **5** on the rear side of the device. For automated operation there is no difference between red and green indication.

- Apply a control voltage (4.5 V to 26 V) to the control interface **6** pin 1 with respect to pin 2 (GND).

As in handheld operation, two distinct operating modes are available, the time controlled mode and the continuous mode.

In continuous mode the device will illuminate as long as the control voltage is applied. In time controlled mode the device will operate for the programmed curing time. The indicator **5** on the rear side of the device lights up in yellow to confirm visually that the UV LED is on.

When the UV LED is switched on from a voltage signal on the control interface **6**, it responds with a closed contact between Pin 3 and 4 of the control interface.

If the contact between Pin 3 and 4 of the control interface is not closed this means that an error condition occurred. In this case the UV LED light is switched off to prevent damage. During an error condition the visual indicator **5** and the acoustic beep sound helps to identify the reason of the error. Pls. refer to section 7.2.



Note!

In continuous mode, the duration of the illumination is limited by safety features only. (UV LED current and temperature)

5 Operation

5.3 Time Programming and Mode Selection

The following steps are necessary to set up a cure time and change to time controlled mode:

- Press the trigger button in a fast sequence of four times.

The device beeps, once per second to show that it is expecting a time to be programmed. The new exposure time shall now be programmed within 10 seconds.



If the UV light (and the yellow LED) should already be active due to an external start signal or due to the timer already running, UV curing will be interrupted.

- The trigger button is pressed and held, as long as the desired exposure time shall be. During programming the unit continues to beep every second, that sound may be used to estimate the duration by counting the beeps. After the trigger button is released, the set exposure time is stored and the time-controlled mode is automatically entered.

Starting a time controlled exposure is possible by:

- pressing the trigger button **1** or
- applying an external start signal (voltage pulse) from a higher-level controller

Note!

The cure time may be adjusted from 0.5 to 120.0 seconds with a resolution of 0.1 seconds.

How to change back to continuous operation mode:

- Press the trigger button shortly in a sequence of four times and then wait 10 seconds, until the unit stops beeping, without pressing the trigger button.

6 Maintenance and Service

The EQ CL32 LED Spot is generally maintenance-free. Please avoid fingerprints on the glass surfaces!



Caution!

Vapours from some products may gradually accumulate on the optical lens of the device, reducing the light output. It should be inspected regularly and cleaned as necessary using isopropyl alcohol and a soft, clean cloth.

The light output **3** of the EQ CL32 LED Spot should be monitored periodically using a radiometer as various factors may influence the optical output power.

Use the Radiometer Dosimeter UV LED, UVA and UVB (for 365 nm), order no. 1390323 or Visible LED, UVV (for 405 nm), order no. 1265282 to monitor the optical output.

To monitor the UV performance follow the steps in the instruction sheet of the radiometer. Irradiate the sensor by manually pressing the trigger button **1** or by using the control interface **6** of the EQ CL32 LED Spot.

An adaptor is available to accurately position the EQ CL32 to the radiometer back. This provides consistent position and distance for maximum repeatability of the measurements. See next section for ordering informations.

7 Annex

7.1 Spare Parts and Accessories

Description	Order no.
EQ CL32 Mounting Kit	2182206
Radiometer Dosimeter UV LED, UVA and UVB (for 365 nm).....	1390323
Radiometer Dosimeter Visible LED, UVV (for 405 nm)	1265282
EQ CL32 Radiometer Adapter (for both meters)	2251337
UV Protection Glasses yellow (for both wavelengths)	1175128

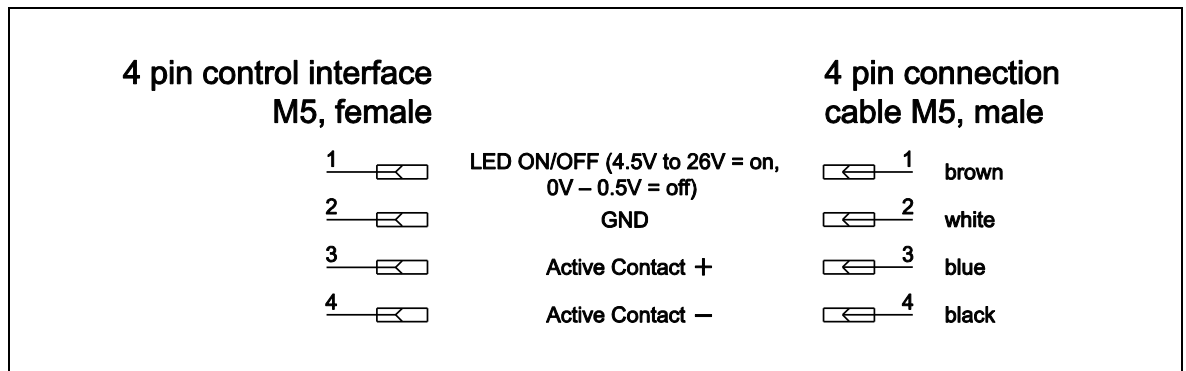
7.2 Error Notifications

When the EQ CL32 LED Spot is examined after an error, the indicator 5 and an acoustic beep helps to identify the error correctly:

UV LED current error (e.g. empty battery)	Red, blinking at 1.5 Hz and beeping for 10 seconds The UV LED switches off.
Over temperature	Red, blinking at 4 Hz and beeping until UV LED temperature gets back to < 50 °C, at least for 10 seconds. The UV LED switches off

7.3 Pin Assignment Control Interface

The signals on the M5 control interface are galvanically separated from the internal electronics using solid-state relays. This enhances the reliability of the product in harsh industrial environments.



Caution!

Absolute Maximum Ratings!

Parameter	PIN no	Max. rating
LED On / Off	1 and 2	28 V
Active Contact 1/2	3 and 4	26 V, 100 mA



Note!

The potential applied to Status Contact + has to be higher than that on Status Contact -, otherwise the solid-state relay inside the device can be damaged.

7 Annex

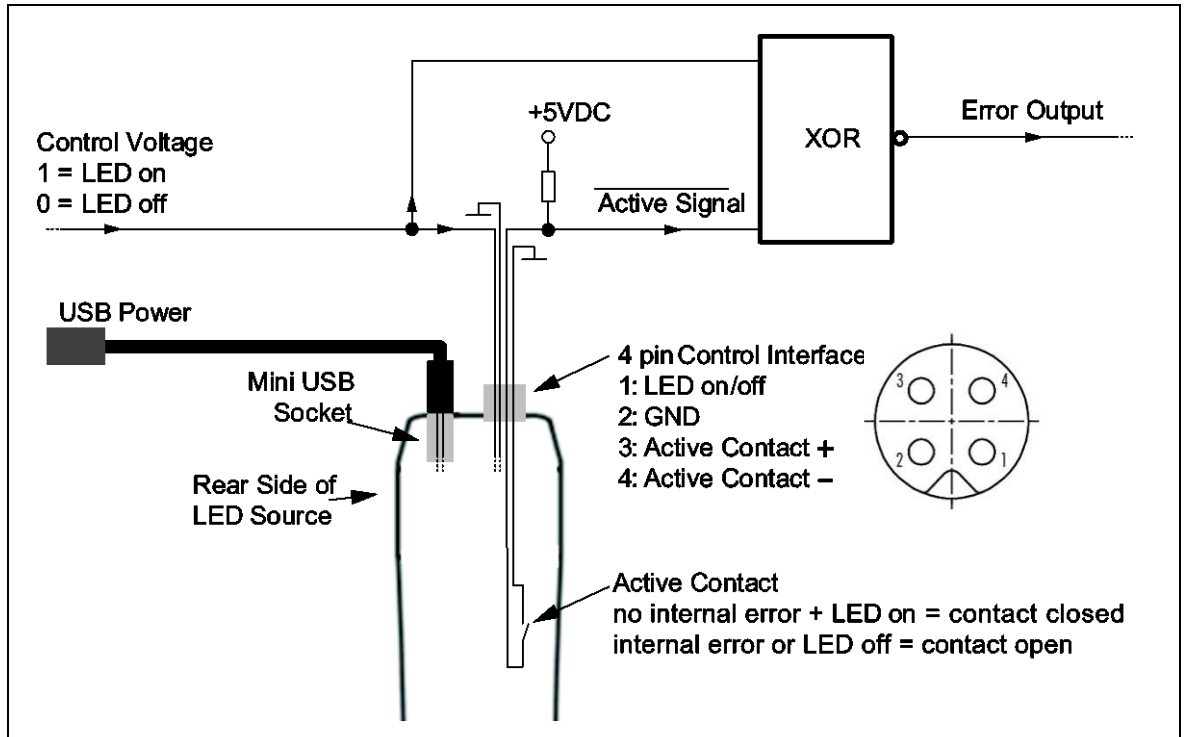
7.4 Error Detection in Automated Control Systems

Below, a typical wiring to detect errors in automated control systems is shown.



Note!

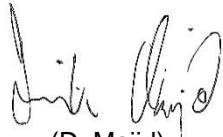
The Error-Detection as shown below only works in continuous operation mode!



Note!

There is a short delay time (activity output delay) of max. 100ms between the control voltage and the active signal.

8 Declaration of Conformity

Declaration of Conformity	
The Manufacturer according to the EC regulations	Henkel AG & Co. KGaA Standort München Gutenbergstr. 3 D-85748 Garching bei München
declares that the unit designated in the following is, as a result of its design and construction, in accordance with the European regulations, harmonized standards and national standards listed below.	
Designation of the unit	EQ CL32 LED Spot Cure 365 EQ CL32 LED Spot Cure 405
Unit number	EQ CL32 LED Spot Cure 365: 2182210 EQ CL32 LED Spot Cure 405: 2182207
Applicable EC Regulations	EC Directive for Electro-Magnetic Compatibility 2004/108/EG EC Directive of RoHS 2002/95/EG EC Directive of Low Voltage 2006/95/EG
Applicable harmonized standards	EN ISO 12100, EN ISO 14121-1, EN 60204-1; VDE 0113-1, EN 6100-6-4+A1, EN 6100-1+A1, EN 60950-1+A11+A1+A12, EN 62471, EN 50581
Authorized person for technical files	Henkel AG & Co. KGaA Site Munich Gutenbergstr. 3 D-85748 Garching bei München
Garching, January 10 th , 2017	 (D. Majid) Business Director AG Germany/Switzerland Site Manager Munich

Inhaltsverzeichnis

1	Bitte beachten Sie	14
1.1	Hervorhebungen	14
1.2	Lieferumfang	14
1.3	Zu Ihrer Sicherheit.....	15
1.4	Einsatzbereich (Bestimmungsgemäße Verwendung)	15
2	Gerätebeschreibung.....	16
2.1	Funktionsbeschreibung	16
2.2	Anzeigen, Bedienelemente und Anschlüsse.....	16
3	Technische Daten, Sicherheitseinrichtungen	17
3.1	Technische Daten	17
3.2	UV Daten	17
3.3	Sicherheitseinrichtungen	17
3.4	Befestigungskit.....	17
4	Installation.....	18
4.1	Umgebungs- und Betriebsbedingungen	18
4.2	Laden des Gerätes.....	18
5	Bedienung und Betrieb.....	18
5.1	Manueller Betrieb	18
5.2	Automatisierter Betrieb.....	19
5.2.1	Montage und Installation	19
5.2.2	Betrieb.....	19
5.3	Einstellung von Belichtungsdauer und Betriebsart.....	20
6	Wartung und Service.....	20
7	Anhang	21
7.1	Ersatzteile und Zubehör	21
7.2	Fehlermeldungen	20
7.3	Steckerbelegung der Steuerschnittstelle	21
7.4	Fehlermeldungen über die Steuerschnittstelle.....	21
8	Konformitätserklärung	23

1 Bitte beachten Sie



Vor der Installation des Gerätes: Für den gefahrlosen und erfolgreichen Einsatz des Gerätes ist diese Anleitung vollständig zu lesen. Werden die Anweisungen nicht befolgt, übernimmt der Hersteller keine Garantie.
Bewahren Sie diese Anleitung nach Durchsicht griffbereit auf.



Durch Verwendung des WEEE-Symbols weisen wir darauf hin, dass dieses Produkt nicht als normaler Müll behandelt werden darf. Sie tragen zum Schutz der Umwelt bei, indem Sie dieses Produkt korrekt entsorgen. Genauere Informationen zum Recycling dieses Produktes erhalten Sie von Ihrer Stadtverwaltung oder von Ihrem Müllabfuhrunternehmen.

1.1 Hervorhebungen



Warnung!

Verweist auf Sicherheitsvorschriften und die geforderten Vorsichtsmaßnahmen, die den Betreiber des Gerätes oder andere Personen vor Verletzungs- oder Lebensgefahr schützen.



Achtung!

Hebt hervor, was getan oder unterlassen werden muss, um das Gerät oder andere Sachwerte nicht zu beschädigen.



Hinweis!

Gibt Empfehlungen zum besseren Handhaben des Gerätes bei Bedien- und Einstellvorgängen sowie Pflegearbeiten.

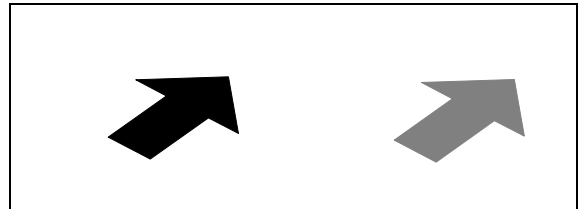
Die fett gedruckten Zahlen im Text beziehen sich auf die entsprechenden Positionsnummern in der Abbildung auf Seite 16.

- Der Punkt hebt einen Handlungsschritt hervor.

Handlungsschritte in den Abbildungen sind durch Pfeile gekennzeichnet.

Werden mehrere Handlungsschritte in einer Abbildung dargestellt, bedeutet ein:

Schwarzer Pfeil = 1. Handlungsschritt
Grauer Pfeil = 2. Handlungsschritt



1.2 Lieferumfang

1 EQ CL32 LED Spot 365 nm, Bestellnr. 2182210
oder

1 EQ CL32 LED Spot 405 nm, Bestellnr. 2182207.

1 Wechselstrom Adapter / USB Ladegerät

1 USB-A auf Mini-USB Kabel, Länge 1,8m

1 Bedienungsanleitung

1 Schutzgummi für die Gerätespitze



Wenn der EQ CL32 LED Spot als stationäres Gerät verwendet werden soll, kann dazu ein gesondertes EQ CL32 Befestigungskit bestellt werden. Bestellnummer und Details, siehe Abschnitt 7.1



Bedingt durch die technische Entwicklung können die Abbildungen und Beschreibungen in dieser Bedienungsanleitung vom tatsächlich ausgelieferten Gerät in Details abweichen.

1 Bitte beachten Sie

1.3 Zu Ihrer Sicherheit

Informationen über den eingesetzten Klebstoff finden Sie unter der Adresse www.loctite-equipment.com in dem entsprechenden Technischen Datenblatt, oder fordern Sie hier das Technische Datenblatt und das Sicherheitsdatenblatt (gem. EU Richtlinie 91/155/EU) an:

Henkel AG & Co. KGaA

+49 89 92 68 11 67

089 92 68 11 22

für die englische Version der Datenblätter;

für die deutsche Version der Datenblätter.

ANWEISUNGEN in diesen Datenblättern sind unbedingt zu befolgen!

Innerhalb der Gewährleistungsfrist darf das Gerät nur vom autorisierten Henkel-Service geöffnet und repariert werden.



Warnung!

Nicht direkt in die LED-UV Lichtquelle oder in LED-UV-Licht blicken, das über einen Spiegel oder eine andere reflektierende Oberfläche reflektiert wird. Es besteht sonst die Gefahr von Augenschäden.

Während des Betriebes UV-Schutzbrille und andere Schutzkleidung tragen. UV Bestrahlung könnte zu Hautverletzungen oder Augenschädigungen führen.

Achten Sie darauf, dass Sie das Gerät nicht fallen lassen oder keinen Stößen aussetzen. Andernfalls kann das Gerät dauerhaft beschädigt werden.

Betreiben Sie dieses Produkt niemals in einer Weise, die nicht in diesem Handbuch beschrieben ist. Sonst besteht die Gefahr von Schäden durch UV-Licht oder Feuer.

Werfen Sie das Produkt nicht ins Feuer oder ins Wasser. Die Lithium-Ionen-Batterie im Gerät darf nicht verformt, kurzgeschlossen, zerlegt oder modifiziert werden.

Anweisungen des Herstellers beachten! Sicherheitsdatenblatt des eingesetzten Loctite®-Produktes anfordern!

Eventuelle Mängel sind sofort zu melden! Fehler sofort beseitigen!

Verwenden Sie nur Originalersatzteile und Originalzubehör.

Die aktuell gültigen Sicherheitsnormen müssen beachtet werden!

Dieses Gerät ist keinesfalls zu demontieren, reparieren oder zu modifizieren.

Für Schäden, die aus der Nichtbeachtung der Bedienungsanleitung resultieren, kann keine Haftung übernommen werden.

1.4 Einsatzbereich (Bestimmungsgemäße Verwendung)

Der EQ CL 32 LED Spot ist für die Aushärtung von lichthärtenden Produkten ausgelegt, die bei ultraviolettem und/oder sichtbarem Licht vernetzen.

Das Aushärten findet statt, wenn das Licht auf den flüssigen Klebstoff gerichtet wird.

Die Zeit, die für den Härtingsprozess erforderliche Zeit, hängt von der der Art des verwendeten Klebers, und von der Intensität des Lichtes, d.h. von dem Abstand der Gerätespitze zur Oberfläche des Klebstoffs ab. **Die spezielle Optik des CL32 bietet eine relativ konstante Intensität und Belichtungsfläche im Bereich von 8 bis 14 mm Arbeitsabstand.**

2 Gerätebeschreibung

2.1 Funktionsbeschreibung

Der CL 32 LED Spot härtet UV-Klebstoffe reproduzierbar bei hohen Intensitäten mit entsprechender Spitzenwellenlänge bei 365 nm oder 405 nm aus. Die Lichtquelle kann sowohl für mobile als auch für stationäre Anwendungen (z. B. in der automatisierten Produktion) verwendet werden.

Das Gerät verfügt über zwei Möglichkeiten der Belichtungszeitsteuerung: Solange der Auslöser gedrückt wird, oder solange eine vorab programmierbare Zeit abläuft.

Die eingebaute Lithium-Ionen-Batterie ermöglicht einen schnurlosen Betrieb des Gerätes von mindestens 3 Stunden Dauer. Sie kann über den Mini-USB-Port am Gerät aufgeladen werden.

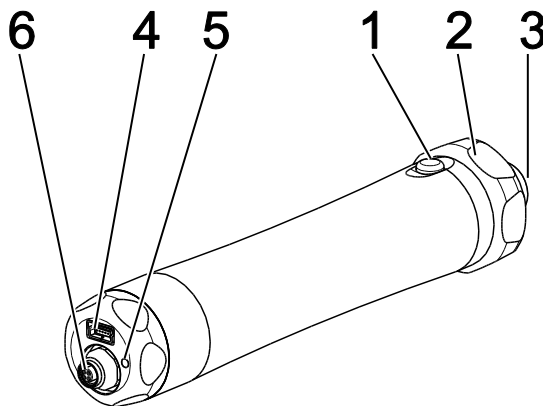
Bei stationären Anwendungen wird das Gerät über die 4-polige Steuerschnittstelle eingeschaltet. Der aktuelle Zustand des Gerätes kann über diese Schnittstelle abgefragt werden. Das mitgelieferte Netzteil muss dann dauerhaft über den Mini USB Anschluss mit dem Gerät verbunden sein.

Um reproduzierbare Aushärtetvorgänge zu gewährleisten, überwacht das Gerät permanent die Betriebsspannung, den LED Strom und die LED Temperatur. Wenn die Spannung nicht korrekt ist (z.B. leerer Akku) oder eine Übertemperatur auftritt, schaltet die UV LED aus und informiert über die Statusanzeige sowie über die 4-polige Schnittstelle, dass ein Fehler aufgetreten ist.

Im mobilen und stationären Einsatz wird die Art des Fehlers durch die Statusanzeige und durch einen Signalton angezeigt.

Um im automatisierten oder stationären Betrieb die korrekte Funktion des Gerätes anzuzeigen, schließt während der Belichtung ein Kontakt der Schnittstelle. Dies ermöglicht es einer übergeordneten Steuerung eventuelle Fehler sofort und zuverlässig zu erkennen.

2.2 Anzeigen, Bedienelemente und Anschlüsse



- 1 **Auslöser**
- 2 **Schutzgummi für die Gerätespitze**
- 3 **UV-Lichtausgangsseite**
- 4 **Mini-USB-Port**
- 5 **Statusanzeige**
- 6 **4-pol. Steuerschnittstelle**
M5-Buchse, Steckerbelegung siehe Abschnitt 7.3.

3 Technische Daten, Sicherheitseinrichtungen

3.1 Technische Daten

Betriebsdauer	Schnurlos bis zu 3.0 Stunden Dauerbetrieb Im Dauerbetrieb ist die Befestigungsschelle im BefestigungsKit oder eine vergleichbare zusätzliche Kühlung zu verwenden!
Wieder aufladbare Batterie	Li-Ion, 3.6 V, 2250 mAh, 8.1 Wh, vom Loctite Service austauschbar
Ladezeit	< 4.0 h Schnellladung < 5.5 h Standardladung
Abmessungen	Länge 142 mm, max. Durchmesser 31 mm
Max. Länge USB-Kabel	Max. 2 m
Gewicht	~ 110 g
Lagertemperatur	-10 °C bis +70 °C (+14°F bis +158°F), trocken/staubfrei
Betriebstemperatur	+5 °C to +45 °C (+40°F to +113°F)
Relative Luftfeuchtigkeit	5 % bis 95 % rel. LF (nicht kondensierend)
Schutzgrad	IP 40

3.2 UV Daten

EQ CL32 LED SPOT 365nm

Wellenlänge	365 nm
Leistung	min. 2,6W/cm ² im Abstand von 10 mm
Beleuchtungsfläche	5 x 5 mm
Homogenität	± 50% in der spezifizierten Belichtungsfläche
LED-Lebensdauer	Nach 6000 h mindestens noch 80 % Emission

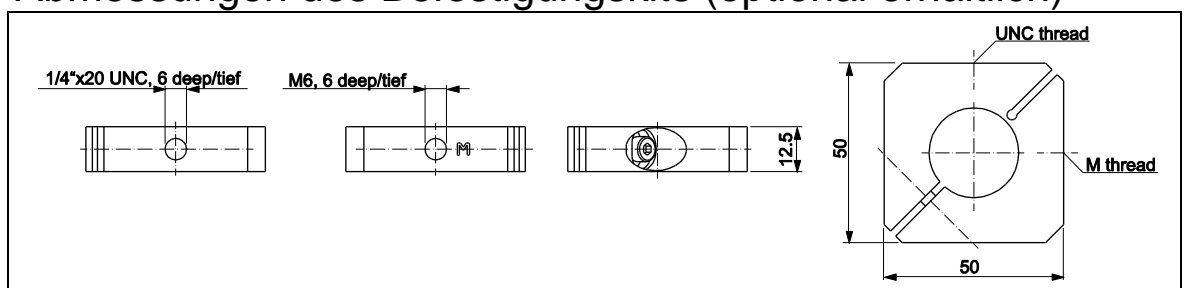
EQ CL32 LED SPOT 405nm

Wellenlänge	405 nm
Leistung	Garantierte Leistung min. 3 W/cm ² im Abstand von 10 mm, getestete Leistung bis 4.5 W / cm ²
Beleuchtungsfläche	5 x 5 mm
Homogenität	± 50% in der spezifizierten Beleuchtungsfläche
LED-Lebensdauer	Nach 6000 h mindestens noch 80 % der Emission

3.3 Sicherheitseinrichtungen

LED Übertemperatur	Abschaltung bei einer LED-Temperatur > 50 °C
LED-Strom unzulässig	Abschaltung, wenn der LED-Strom um ± 5 % vom Sollwert abweicht
Akku-Sicherheit	Über- und Unterspannung, Überstrom, Übertemperatur

3.4 Abmessungen des Befestigungskits (optional erhältlich)



4 Installation

4.1 Umgebungs- und Betriebsbedingungen

- Gerät an einem trockenen, staubfreien Ort benutzen.
- Die Spitze der Lichtquelle ist nicht näher als 4 mm (0,16 Inch) von dem zu härtenden Loctite-Produkt zu positionieren, um eine Verunreinigung der Optik durch Klebstoff oder beim Aushärten entstehende Dämpfe zu vermeiden. Wenn der Klebstoff die optische Linse dennoch verunreinigen sollte, muss sie umgehend gereinigt werden.

4.2 Laden des LED Spots

Die Mini-USB Buchse **4** auf der Rückseite des LED-Spots wird zum Aufladen des Geräts verwendet. Das USB-Netzteil und ein USB-Verbindungskabel liegen dem Gerät bei. Im Akkubetrieb wird das Gerät von der internen Li-Ionen-Batterie versorgt und muss spätestens dann aufgeladen werden, wenn das Gerät einen leeren Akku meldet.

- Das USB-Netzteil an die Stromversorgung und das Gerät mit dem mitgelieferten USB-Kabel an das USB-Netzteil anschließen. Die Anzeige **5** auf der Rückseite des Gerätes leuchtet rot, solange der Ladevorgang dauert.
- Die LED-Quelle vom Netzteil trennen, wenn der Ladevorgang beendet ist. Der Akku ist vollständig geladen, wenn die Statusanzeige **5** auf der Geräte Rückseite grün leuchtet.

Status	Status Anzeige 5
Ladung	rot, kontinuierlich
Voll geladen	grün, kontinuierlich
Batterie leer	rot blinken + Signalton



Hinweis!

Vor Inbetriebnahme den Akku vollständig laden!

Die Ladezeit des Akkus hängt von der verbleibenden Akkukapazität und dem verwendeten Ladegerättyp ab. Wenn das Gerät an ein USB-Netzteil und an der Mini-USB Buchse **4** angeschlossen ist, erkennt es automatisch, ob es schnell oder langsam aufgeladen werden soll. Mit dem mitgelieferten USB-Netzadapter wird das Gerät immer schnell aufgeladen. Wenn der Akku vollständig entladen oder gar defekt ist, kann der LED Spot auch über das mitgelieferte Netzteil betrieben werden. Diese Funktion ist nur mit dem ausgelieferten Netzteil gewährleistet.

5 Betrieb

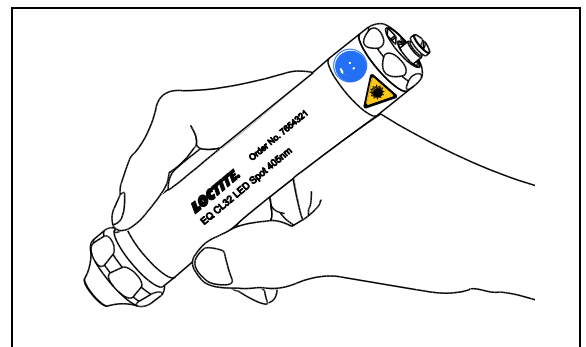
5.1 Handgeführter Betrieb

Für handgeführte Anwendungen wird der mitgelieferte Schutzgummi installiert. Er verhindert das Wegrollen des LED Spots beim Ablegen und dämpft mechanische Stöße auf das optische System.

Es stehen zwei verschiedene Betriebsarten zur Verfügung: In der werksseitig voreingestellten Betriebsart „Dauerbetrieb“ belichtet das Gerät, solange der Auslöser **1** gedrückt wird. Es

kann aber auch in die Betriebsart „Zeitgesteuerter Betrieb“ umgeschaltet werden, indem eine zuvor einprogrammierte feste Belichtungszeit abgerufen wird.

Wenn der LED Spot in Betrieb ist, leuchtet die Statusanzeige **5** auf der Rückseite des LED-Spots gelb. Die Dauer der Belichtung ist nur durch die Sicherheitsmerkmale begrenzt. Das Gerät schaltet aus und informiert, wenn Fehler vorliegen (z. B. der Akku leer oder die LED zu heiß geworden ist).



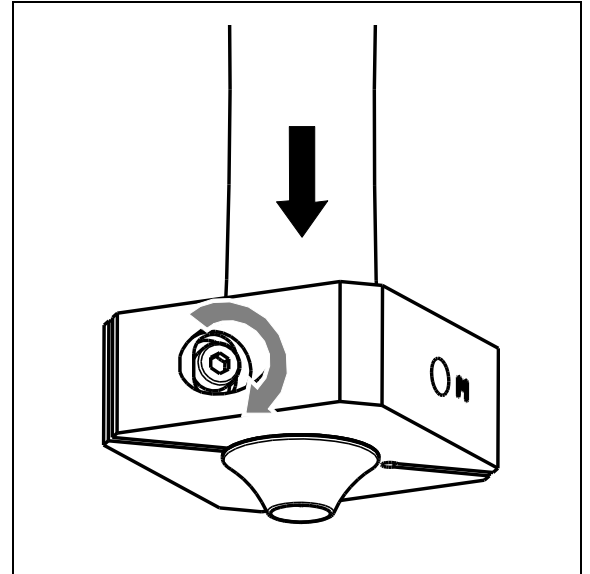
5 Betrieb

5.2 Stationärer Betrieb

5.2.1 Montieren und Installieren

Für stationären Betrieb wird der Schutzgummi abgezogen. Der EQ CL32 LED Spot wird mit Hilfe des CL32 Befestigungskits an der vorgesehenen Stelle montiert. Die enthaltene Aluschelle dient der präzisen und sicheren Positionierung und bietet zugleich beste Wärmeableitung.

- Zuerst Befestigung entweder mit dem M- oder dem UNC-Gewinde montieren.
- Die Klemmschraube leicht lösen.
- Den CL32 LED Spot in die Befestigung stecken, wie in der Grafik nebenan gezeigt. Der Betätigungsknopf muss dabei immer frei bleiben.
- Die Klemmschraube vorsichtig wieder anziehen.



Das CL32 Befestigungskit muss extra bestellt werden, Bestellnummer siehe Abschnitt 7.1.

- Das im Befestigungskit enthaltene M5-Anschlusskabel an die 4-pol. Steuerschnittstelle **6** auf der Rückseite des LED Spots anstecken, wenn das Gerät mit einer übergeordneten Steuerung betrieben werden soll. Die Belegung der 4-pol. Steuerschnittstelle und der Farbcode des M5-Anschlusskabels sind im Abschnitt 7.3 "Pinbelegung der 4-poligen Steuerschnittstelle" aufgeführt.
- Das USB-Netzteil an die Stromversorgung anschließen und das mitgelieferte USB-Kabel verwenden, um den LED Spot dauerhaft über den Mini-USB-Port **4** zu versorgen.



Hinweis!

Verwenden Sie nur das mitgelieferte Netzteil und ein USB-Kabel, das nicht länger als 2,0 m ist. Bei anderen Netzteilen oder längeren USB-Kabeln kann eine dauerhafte Belichtung nicht gewährleistet werden.

5.2.2 Betrieb

- Stellen Sie sicher, dass die Lichtquelle mit Strom versorgt ist. Dies wird durch eine rote bzw. grüne Statusanzeige **5** auf der Rückseite des EQ CL32 LED Spot angezeigt. Im stationären Betrieb mit angeschlossener externer Stromversorgung gibt es keinen Unterschied zwischen roter und grüner Anzeige.
- Statt des Auslösers kann die 4 polige Steuerschnittstelle **6** benutzt werden. Zum Starten der Belichtung wird eine Steuerspannung (4,5 V bis 26 V) angelegt. Auch hier stehen die zwei Betriebsarten „Dauerbetrieb“ und „Zeitgesteuerter Betrieb“ zur Verfügung. Im Dauerbetrieb belichtet das Gerät so lange wie die Steuerspannung anliegt. Im zeitgesteuerten Betrieb wird bei einem kurzen Impuls der Steuerspannung die programmierte Belichtungszeit abgerufen. Die Statusanzeige **5** auf der Rückseite des Gerätes leuchtet gelb, um zu bestätigen, dass die UV LED leuchtet, und kein Fehler vorliegt.

Die Dauer der Belichtung ist im Dauerbetrieb nur durch Sicherheitseinrichtungen begrenzt. Über die 4 polige Steuerschnittstelle **6** wird auch der Status des Gerätes ausgegeben. Ein optisch getrennter MOS Kontakt schließt während der Belichtung, wenn kein Fehler anliegt. Siehe: Abschnitt 7.3

Tritt ein Fehler bei der Belichtung auf (z.B. LED Temperatur oder LED Strom unzulässig hoch), so schaltet die UV LED aus, um dauerhafte Schäden zu verhindern. Ferner öffnet dann der MOS-Kontakt auch während der Belichtung, um den Fehler einer übergeordneten Steuerung anzuzeigen.

5 Betrieb

5.3 Einstellung einer Belichtungszeit und Wechsel zum zeitgesteuerten Betrieb

Im Dauerbetrieb belichtet das Gerät, solange der Auslöser 1 gedrückt wird bzw. das Startsignal ansteht. Es ist aber auch möglich, eine feste Belichtungszeit einzustellen. Die einstellbare Belichtungszeit kann zwischen 0,5 s und 120 Sekunden liegen.

- Viermal rasch hintereinander den Auslöser 1 kurz drücken.

Falls gerade eine Belichtung läuft, wird diese abgebrochen und das Gerät piept im Sekundentakt. Es zeigt damit an, dass es auf die Programmierung einer Zeitvorgabe wartet.

- Während das Gerät piept, wird der Auslöser 1 für die gewünschte Zeit gedrückt. Das Gerät piept während der Programmierung weiterhin sekundenweise und ermöglicht damit eine grobe Abschätzung der Belichtungszeit, etwa durch Abzählen der Töne. Nach dem Loslassen des Auslösers wird die vorgegebene Zeit als Belichtungszeit gespeichert und das Gerät wechselt in den zeitgesteuerten Betrieb.

Im zeitgesteuerten Betrieb kann die abgespeicherte Belichtungszeit durch Drücken des Auslösers 1 oder durch ein externes Startsignal einer übergeordneten Steuerung abgerufen werden.

Zurückwechseln in den Dauerbetrieb:

- Viermal rasch hintereinander den Auslöser 1 kurz drücken, und die 10 Sekunden verstreichen lassen, - solange das Gerät piept-, ohne dabei den Auslöser 1 zu betätigen.

6 Wartung und Service

Das Gerät ist wartungsfrei. Ist die optische Ausgangslinse verschmutzt, kann sie vorsichtig mit Alkohol (z. B. Isopropylalkohol) gereinigt werden. Fingerabdrücke auf den Glasflächen sind zu vermeiden!



Achtung!

Dämpfe von Produkten können sich allmählich auf der optischen Ausgangslinse der Lichtquelle absetzen, wodurch die Lichtausgabe verringert wird. Sie sollte regelmäßig kontrolliert und gegebenenfalls mit Isopropylalkohol und einem weichen, sauberen Tuch gereinigt werden.

Der Lichtausgang 3 des LED Spots sollte regelmäßig mit einem Radiometer überprüft werden, da verschiedene Faktoren die optische Ausgangsleistung beeinflussen können. Mit dem Radiometer Dosimeter UV LED, UVA und UVB (für 365 nm), Bestellnr. 1390323 bzw. Radiometer Dosimeter Visible LED, UVV (für 405 nm), Bestellnr. 1265282 können die Messungen in vordefinierten Zeitintervallen durchgeführt werden.

Zur Überwachung der UV-Leistung ist den Schritten der Bedienungsanleitung des Radiometers zu folgen. Bestrahlen Sie den Sensor durch manuelles Betätigen des Auslösers 1 oder durch Verwendung der Steuerschnittstelle 6 des LED Spots.

7 Anhang

7.1 Ersatzteile und Zubehör

Bezeichnung	Bestell-Nr.
EQ CL32 Befestigungskit	2182206
UV Meßgerät UV LED, UVA und UVB (für 365 nm)	1390323
UV Meßgerät Visible LED, UVV (für 405 nm)	1265282
EQ CL32 Meßgeräte Adapter.....	2251337
UV-Schutzbrille gelb für beide Wellenlängen.....	1175128

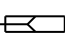
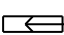
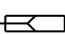
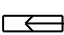
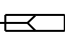
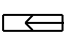
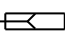
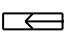
7.2 Fehlermeldungen

Tritt ein Fehler auf, hilft die Statusanzeige **5** und der akustische Signalton des Geräts, den Fehler korrekt zu identifizieren.

UV LED Strom nicht im zulässigen Bereich, oder Akku leer	Rot, blinkt mit 1,5 Hz und piept für 10 Sekunden, während die UV LED ausschaltet.
Übertemperatur	Rot, blinkt mit 4 Hz und piept, bis die LED-Temperatur auf unter 50° C zurückgeht, während die UV-LED mindestens 10 Sekunden lang ausgeschaltet wird.

7.3 Belegung der 4-poligen Steuerschnittstelle

Die Signale auf der 4-poligen Steuerschnittstelle sind über Opto MOS-Relais galvanisch von der internen Elektronik getrennt. Dies erhöht die Zuverlässigkeit des Produktes in rauen Industrieumgebungen

4-pol. Steuerschnittstelle M5, Buchse		4-pol. Verbindungs- Kabel M5, Stecker
1 	LED AN/AUS (4.5V to 26V = an, 0V – 0.5V = aus)	1  braun
2 		2  weiß
3 	Status Kontakt +	3  blau
4 	Status Kontakt –	4  schwarz



Achtung!

Absolut maximale Spannung!

Parameter	Pol Nr.	Maximale Spannung
LED An/Aus	1 und 2	26V
Aktiver Kontakt + und -	3 und 4	26V, 0.1A



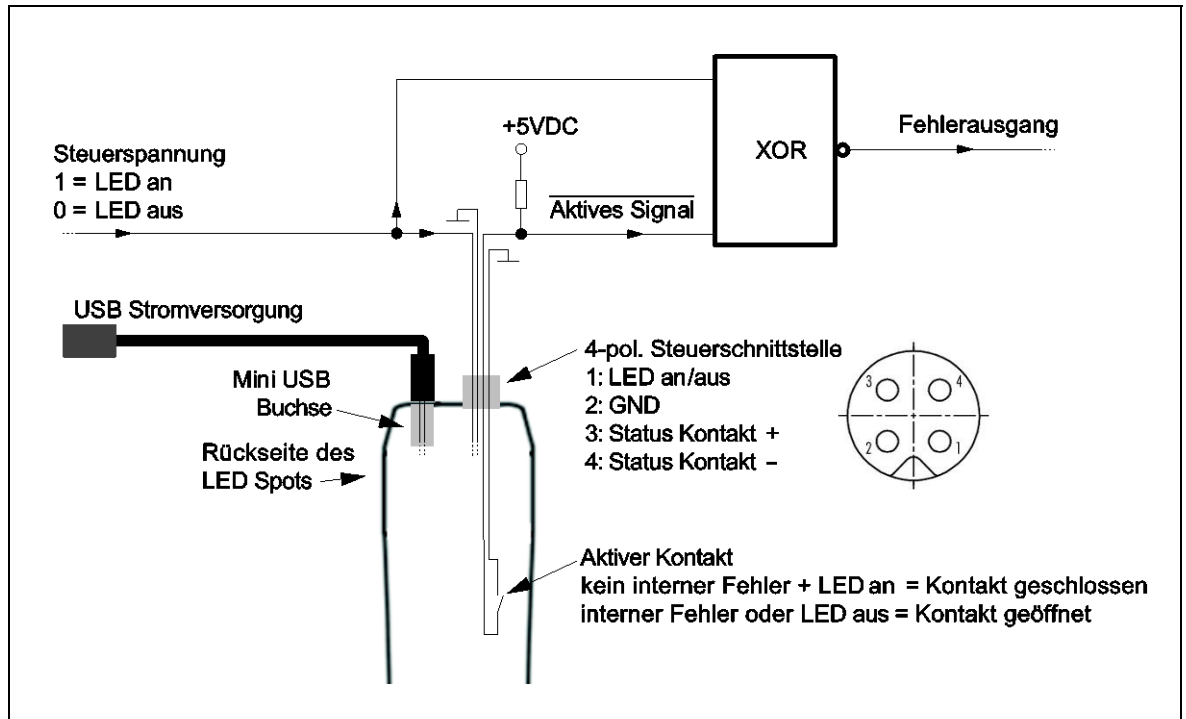
Hinweis!

Das am „Statuskontakt +“ angelegte Potential muss höher sein als das bei „Statuskontakt -“, sonst kann das Halbleiterrelais im Gerät beschädigt werden.

7 Anhang

7.4 Fehlermeldungen über die Steuerschnittstelle

Im Folgenden wird eine typische Verdrahtung zur Erkennung von Fehlern in automatisierten Steuerungssystemen gezeigt. Die dargestellte Logik funktioniert nur im „Dauerbetrieb“, nicht im Betrieb mit interner Zeitsteuerung.



Hinweis!

Es entsteht eine kurze Verzögerungszeit (Aktivitätsausgangsverzögerung) von max. 100ms zwischen dem Startsignal und dem Start der Belichtung.

8 Konformitätserklärung

Konformitätserklärung	
Der Hersteller gemäß der EU-Richtlinien	Henkel AG & Co. KGaA Standort München Gutenbergstr. 3 D-85748 Garching bei München
erklärt, dass das nachfolgend bezeichnete Gerät auf Grund seiner Konzipierung und Bauart den unten aufgeführten europäischen Richtlinien, harmonisierten Normen und nationalen Normen entspricht.	
Bezeichnung des Gerätes	EQ CL32 LED Spot Cure
Gerätenummer	EQ CL32 LED Spot Cure 365: 2182210 EQ CL32 LED Spot Cure 405: 2182207
Einschlägige EU-Richtlinien	EC Directive for Electro-Magnetic Compatibility 2004/108/EG EC Directive of RoHS 2002/95/EG EC Directive of Low Voltage 2006/95/EG
Angewandte harmonisierte Normen	EN ISO 12100, EN ISO 14121-1, EN 60204-1; VDE 0113-1, EN 6100-6-4+A1, EN 6100-1+A1, EN 60950-1+A11+A1+A12, EN 62471, EN 50581
Bevollmächtigter für die technischen Unterlagen	Henkel AG & Co. KGaA Standort München Gutenbergstr. 3 D-85748 Garching bei München
Garching, 10. Januar 2017	 (D. Majid) Business Director AG Deutschland/Schweiz Standortleiter München

Henkel AG & Co. KGaA
Standort München
Gutenbergstraße 3
85748 Garching b. München
Deutschland

Telefon +49 (0) 89 320800-0
www.loctite.com

Henkel Capital, S.A. de C.V.
Calzada de la Viga s/n Fracc.
Los Laureles
Loc. Tulpetlac, C.P. 55090
Ecatepec de Morelos, MEXICO

Henkel Loctite Korea
8F, Mapo Tower, 418,
Mapo-dong, Mapo-gu,
Seoul, 121-734, KOREA

Henkel Corporation
One Henkel Way
Rocky Hill, CT 06067-3910
USA

Henkel Singapore Pte Ltd
401, Commonwealth Drive
#03-01/02 Haw Par Technocentre
SINGAPORE 149598

Henkel Japan Ltd.
27-7 Shin Isogo-cho, Isogo-ku
Yokohama, 235-0017
JAPAN

Henkel Corporation
Automotive/ Metals H.Q.
32100 Stephenson Hwy,
Madison Heights 48071
USA

Henkel Canada Corporation
2225 Meadowpine Boulevard
Mississauga, Ontario L5N 7P2
CANADA

Henkel (China) Company Ltd.
No. 928 Zhang Heng Road,
Zhangjiang, Hi-Tech Park, Pudong,
Shanghai, China 201203

® and ™ designate trademarks of Henkel Corporation or its affiliates. ® = registered in the U.S. and elsewhere.

© Henkel Corporation, 2009. All rights reserved. Data in this operation manual is subject to change without notice.

Manual P/N: 8974804 , Date: October 4th, 2016

