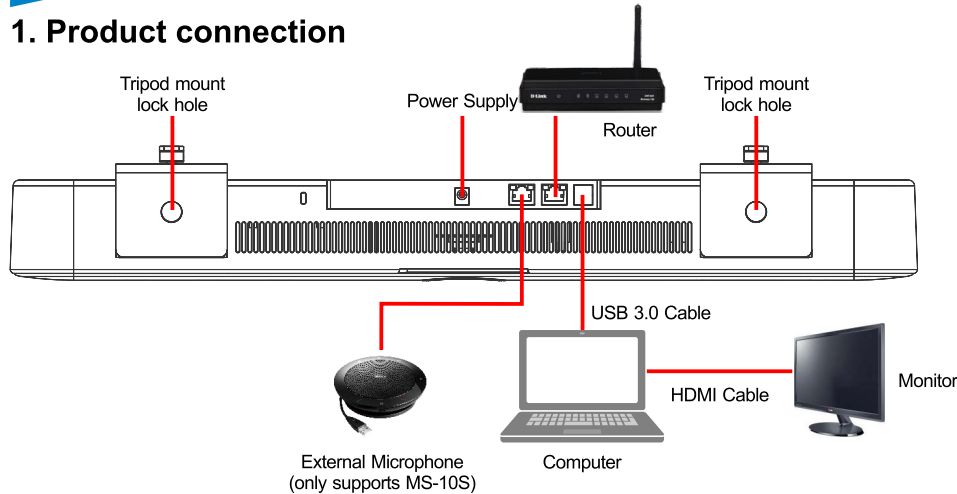


# MS-10/MS-10S Quick Installation Guide

www.MyLumens.com

**Lumens**<sup>®</sup>

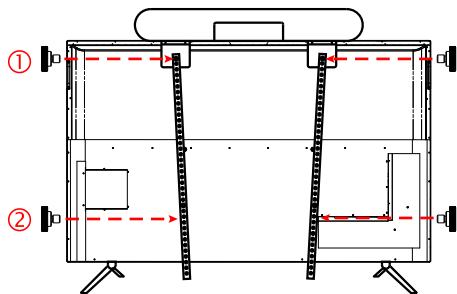
## 1. Product connection



## 2. Camera Installation

\*The recommended installation height is the horizontal position of the human eyes after sitting down to get the best image.

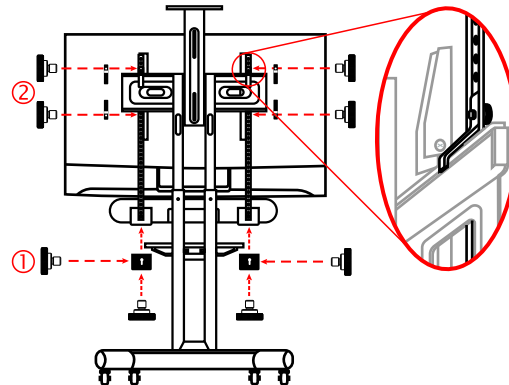
### A When the screen is placed on the platform



1. Screw camera to the TV Mount brackets and place it onto the screen.
2. Screw the TV Mount brackets to the back of the screen, and then tighten the screws that secure camera to the TV mount brackets.

\* Please adjust the locking position of the TV Mount brackets according to hole position on the screen.

### B When the screen is mounted on the TV Mount brackets

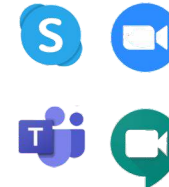


1. Fasten camera to the TV Mount brackets with screws.
2. Place the TV Mount sheet metals on the top/bottom of the TV Mount brackets, and fasten the TV Mount brackets and the TV Mount sheet metals with screws from inside out.

\* If camera is installed under the screen, use the L-shaped sheet metals to lock it to camera before starting the installation.

## 3. View the images

- 3.1 Connect camera to the computer, and the Operating System will automatically install the driver.
- 3.2 Please download and install Lumens USB PTZ Camera Controller software from Lumens website <https://www.Mylumens.com/Support> to view images and control camera.  
\*It can also be used with Skype, Zoom, Teams, and other video software.



\* The default resolution of camera is MJPEG 1920 x 1080 30 fps

## 4. Advanced Function

- 4.1 The camera USB 3.0 port supports network interface card function. Connecting the camera network port to the router allows you to access the Internet without connecting a network cable on the computer.
- 4.2 Please download the driver from Lumens website <https://www.Mylumens.com/Support>.
- 4.3 Supported Operating System

| OS       | SUPPORTED VERSION   |
|----------|---|
| Windows  | Windows 7/ 8: Manual Installation<br>Windows 10/ 11: Built-in drivers |
| MAC OS X | 10.10 or above  |
| Linux    | USB NIC Linux driver for kernel up to 5.6                             |

### 4.4 Auto Frame

- 1 With Auto-Framing technology, the camera will automatically detect the position of the human body and adjust the person to the center of the screen according to the number of people in the meeting scene to present the best image and enhance the efficiency of the meeting.
- 2 Press the Auto Frame button on the remote control to enable/disable the smart viewfinder function.



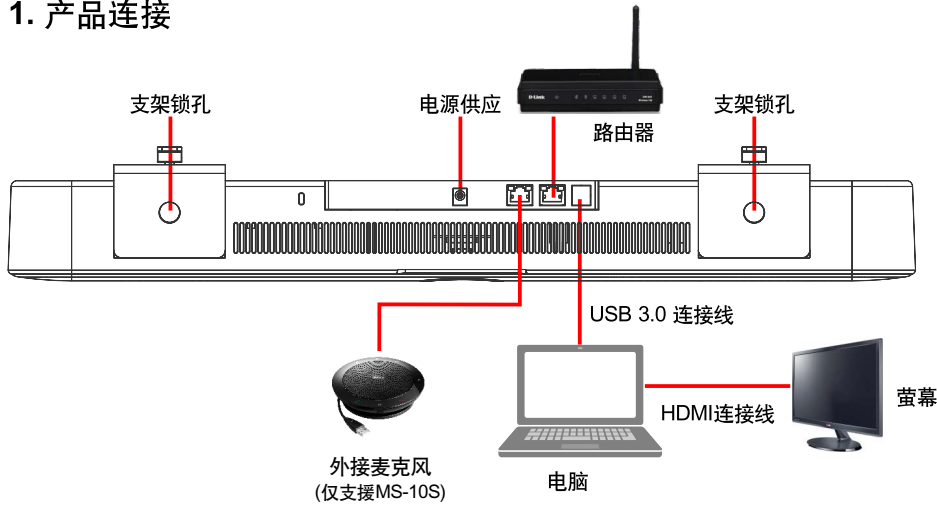
### 4.5 Speaker Tracking (\*only supports MS-10S)

- 1 The camera can detect where the human voice comes from and adjust the person to the center of the screen.
- 2 Press the Speaker Tracking button of remote control and enable/disable the Speaker Tracking function.



\* Please visit YouTube [My Lumens] channel to watch the related videos for instructions

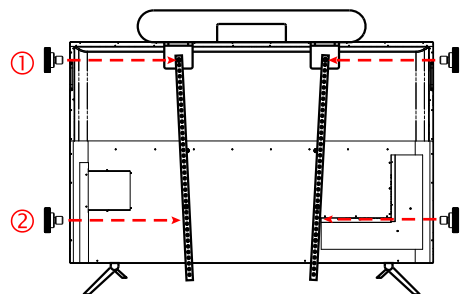
## 1. 产品连接



## 2. 摄像机安装

\*建议安装高度为坐下后，人眼水平位置，以获得最佳影像。

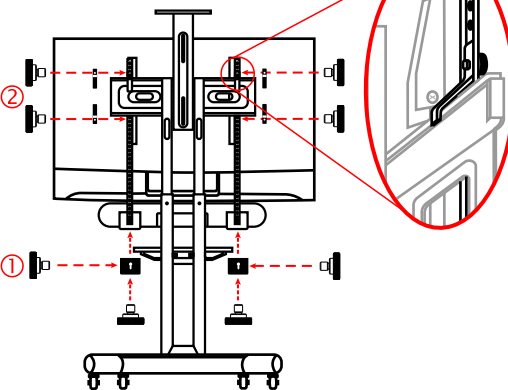
### A 萤幕放置于平台上时



1. 将摄像机与电视挂载支架锁上螺丝并放置于萤幕上。
2. 将电视挂载支架锁上螺丝锁固于萤幕背后孔位，再锁紧固定摄像机与电视挂载支架之螺丝。

\* 电视挂载支架锁定位位置请依萤幕孔位调整。

### B 萤幕安装于电视挂架时

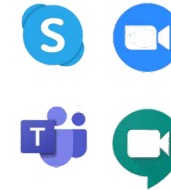


1. 将摄像机与电视挂载支架锁上螺丝固定。
2. 将电视挂载板金分别放置于电视挂架上 / 下方，以螺丝由内向外将电视挂载支架及挂载板金锁固。

\* 若摄像机安装于萤幕下方，需先使用L型板金锁固于摄像机，再开始进行安装。

## 3. 观看影像

- 3.1 将摄像机连接至电脑，作业系统会自动安装驱动程序。
- 3.2 请至Lumens网站 <https://www.Lumens.cn/Support> 下载安装 Lumens USB PTZ Camera Controller 软体来观看影像及控制摄像机。  
\*亦可搭配Skype, Zoom, Teams等视讯软体使用。



\* 摄像机预设解析度为MJPEG 1920 x1080 30 fps

## 4. 进阶功能

- 4.1 摄像机 USB3.0连接埠支援网路卡功能，将摄像机网路孔连接至路由器后即可上网，电脑端无需再连接网路线。
- 4.2 请至Lumens网站下载驱动程序 <https://www.Lumens.cn/Support>。
- 4.3 支援作业系统

| OS       | 支援版本   |
|----------|--|
| Windows  | Windows 7/ 8: 手动安装<br>Windows 10/ 11: 内建驱动程序 |
| MAC OS X | 10.10 以上版本                                   |
| Linux    | USB NIC Linux driver for kernel up to 5.6    |

### 4.4 智能取景

- 1 采用Auto-Framing技术，摄像机将依会议场景人数变化，自动侦测人体位置，将人物调整至画面中央，以呈现最佳影像，提升会议效率。
- 2 按压遥控器Auto Frame按钮，即可开启/关闭智能取景功能。



### 4.5 声音追踪(\*仅支援MS-10S)

- 1 摄像机可侦测人声位置，将人物调整至画面中央。
- 2 按压遥控器Speaker Tracking按钮，即可开启/关闭声音追踪 功能。



有毒有害  
物质清单