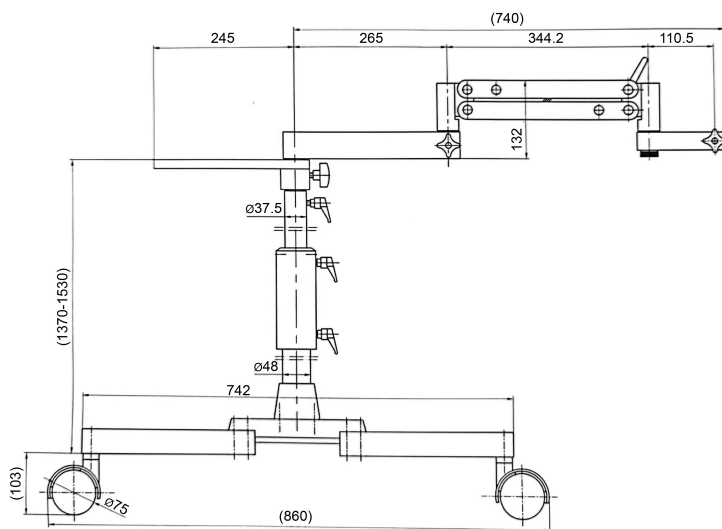


Rolling Floor Stand With Articulating Arm

Heavy duty roller stand features adjustable height and articulating arm with 34" reach and 12" vertical range. An adjustable accessory tray conveniently holds accessories and tools. The stand is easily transported via six heavy-duty locking casters. A 26.5lb. (12kg) optional accessory weight adds even greater stability to the stand, especially when used with heavy microscopes.

Dimensions in mm



P/N 23798

TECHNICAL DESCRIPTION

CONSTRUCTION:

Heavy-duty steel and cast aluminum with powder-coated finish.

Adjustable vertical post height up to 60".

75mm (H) X 32mm (W) polymer non-marking casters, with brakes.

ACCESSORIES:

26.5lb. (12kg) weight (P/N 23799) mounts under base.

MOUNTING:

Coarse focus mount with Ø76mm yoke. Cable management for illumination and accessories.

Maximum downward angle of arm is 20° from horizontal.

Maximum weight of 12 lbs. (5.44kg) before the optional accessory weight (P/N 23799) is required.

SYSTEM:

Package includes floor stand, brake casters, articulating arm, Ø76mm focal mount, accessory tray, and cable management clips.

*Available as **72 Hour QUICK SHIP**

