

**LUXO**

# Circus LED

User manual





## English

Our products are subject to the Directive 2012/19/EU (Waste Electrical and Electronic Equipment - WEEE) and should at the end of their lifespan always be collected separately and brought to the appropriate collection point in your community or region.

## Norsk

Våre produkter er underlagt direktiv 2012/19/EU (Waste Electrical and Electronic Equipment - WEEE) og skal etter endt levetid leveres til mottak for slikt avfall eller til en forhandler av slikt avfall.

## Svenska

Våra produkter omfattas av direktivet 2012/19/EU (Waste Electrical and Electronic Equipment – WEEE) och skall vid slutet av sin livsängd alltid samlas in och levereras till återvinningsstation i din kommun eller region.

## Deutsch

Unsere Produkte unterliegen der Richtlinie 2012/19/EU (Waste Electrical and Electronic Equipment - WEEE) und sollten am Ende ihrer Lebensdauer immer getrennt gesammelt und an einem entsprechenden Sammelpunkt in Ihrer Gemeinde oder Region entsorgt werden.

## Suomi

Tuote kuuluu elektronisten laitteiden jätteenkäsittelyä (WEEE) koskevan direktiivin 2012/19/EU piiriin ja elinkaaren lopussa oleva tuote tulee toimittaa asiaankuuluvaan keräyspisteeseen.

## Eesti

Meie toodete kohta kohaldatakse 2012/19/EU WEEE (elektri-ja elektroonikaseadmetest tekkinud jäätmete) direktiivi ning nad peavad olema eluea lõppedes eraldi kokku kogutud ning toimetatud piirkonna jäätmete vastuvõtupunkti.

## Nederlands

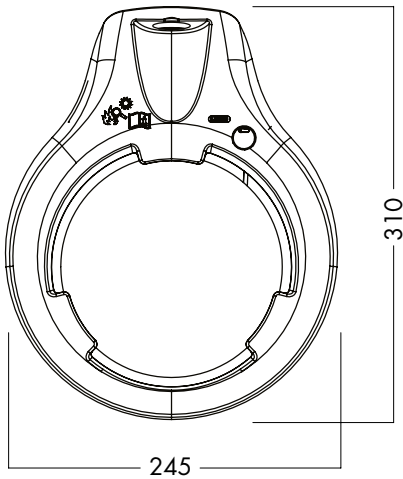
Onze producten zijn onderworpen aan de Richtlijn 2012/19/EU (Waste Electrical and Electronic Equipment - WEEE) en moeten aan het einde van hun levensduur apart ingezameld en naar het juiste inzamelpunt gebracht worden in uw gemeente of regio.

## Dansk

Vores produkter er underlagt direktiv 2012/19/EU (Waste Electrical and Electronic Equipment - WEEE) og skal efter endt levetid leveres til modtagere for sådan type affald eller til en forhandler af sådan affald.

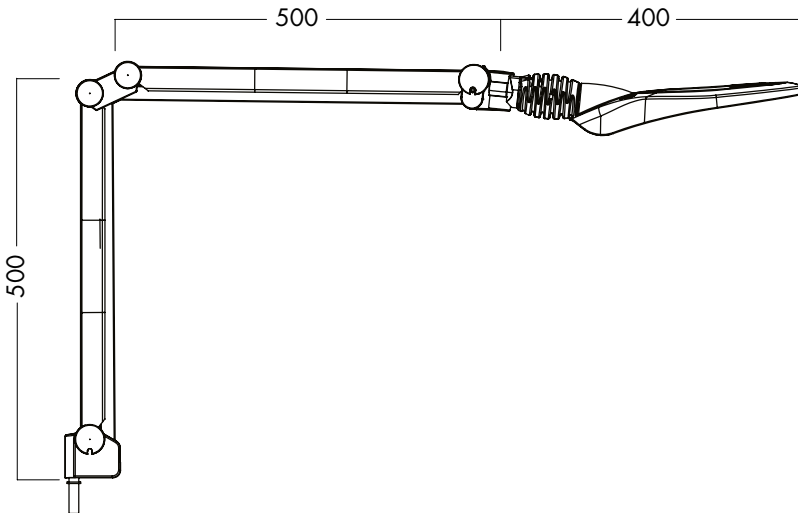
# Circus LED

Instructions for use in your local language, please visit [www.glamox.com](http://www.glamox.com)



This product contains a spring loaded arm. In order to avoid damage or possible injury, first mount table bracket or floor stand. Insert product and remove protective plastic sleeve or rubber band, and carefully unfold the product.

Use only brackets supplied by Glamox or a Glamox representative. Glamox cannot guarantee the lifetime and functionality if third part accessories are used.



# Circus LED

## General information

This luminaire is intended for use as a general purpose examination luminaire, only for diagnosis, NOT for surgical use. If the product is used during treatment there should be NO contact with the patient. This product is not designed and approved for home use. Optimum working distance between the light source and illuminated object or surface, using a standard lamp, is 28 cm with 3.5D lens and 20 cm with 5D lens.

## Installation

This product contains a spring loaded arm. In order to avoid damage or possible injury, first mount table bracket or floor stand. Insert product into table bracket or floor stand and remove protective plastic sleeve or rubber band, and carefully unfold the product. Place the supply cable so it not will be damaged. Always use enclosed table bracket, optional floor stand.

## Accessories

BRK025205	Trolley *
SPA025674	Extra weight Trolley
BRK014904	AH-CLA
SPD025980	Sp Suction lens 4D
SPD025979	Sp Suction lens 6D
SPD026119	Sp Suction lens 10D

\*Trolley must always be used with extra weight

Luxo cannot guarantee the lifetime and functionality if third party accessories are used.

## Cleaning

Regular cleaning of luminaires is essential for optimal lighting. Luminaires are cleaned in a de-energized state. Electrical components and connections should not be exposed to water or moisture. Be aware that LED luminaires are sensitive to electrostatic discharge (ESD). Cleaning intervals are normally consistent with those planned during the project planning. Luminaires can be cleaned with a neutral detergent (pH 7). The detergent is mixed in lukewarm water. The mixture is then applied with a microfiber cloth, sponge or similar. Afterwards, soap residues should be removed using a soft clean microfiber cloth dampened with water. Do not spray cleaning solutions directly onto the luminaires as residual detergent may collect in the cover, reflector or optical components, and be difficult to remove later. Organic solvent based and strongly alkaline detergents should be avoided, as they can damage components in the short and long term. This applies particularly to components made from various plastics. If disinfectant cleaning of light is required, disinfectant detergents should be applied with a sponge or similar.

## Maintenance

Cleaning of product is the only maintenance needed. No requirements on frequency of cleaning other than when the products get degraded functions on movements or light. There are no parts requiring special inspection or maintenance on the product.

## Spare parts

SPA026011	Cable 3x0.75+/3,0m BS1363A White
SPA026708	Cable 3x0.75+/3,0m Schuko White
SPA026709	Cable 3x18 AWG/3,0m NA White
SPA026706	AC/DC converter 24V class I
SPA026710	Fuse T1.25AH/250V

Discription to exchange spare parts will be supplied upon request to service personell.

## Transportation

The product should be set in transportation mode when moved. Fold upper arm down in parallel with the lower arm, and secure them together with a rubber band or strips.

# Circus LED

## Troubleshooting for qualified electrical fitters and other similarly qualified personnel

- Replaces the fuses
  - Remove the lamp from mains supply.
  - Loosen the screw holding the bottom lamp cover
  - Exchange fuses
  - Place bottom cover, and tighten the screw
- Replaces the mains cable
  - Instruction for changing cable will be shipped with the spare part

If there should arise other problems please contact your local Glaxo representative

## Classification

Model	Circus LED
Medical class	Class I
Protection reliability	Must not exceed 0.5 mA
Power supply	100-240VAC 50/60 Hz
Power consumption	Max 40VA
Protection against risk of explosion	Not protected
Protection against liquid penetration	Not protected
Degree of mobility	Mobile mounted on trolley
Type of approval	MEDICAL
Safety test in line with	EN60601-1:2012
EMC test in line with	EN60601-1-2:2014
Primary fuse	IEC 127-5X20mm, 2xT1.25AH 250V, CSA/UL certified for the North American Market
Operating life	50000 Hours (L70B50)
Central illuminance	399 lx at 1m
Light field diameter	d10 = 2740mm, d50 = 1120mm
Colour rendering index Ra	93.2
Correlated colour temperature of radiation emitted CCT	3787K
Chromaticity co-ordinates	X=0.3892, Y=0.3791

# Circus LED

## Symbol explanations:



Do not throw away. Electronic waste.  
The product must be recycled



Self declaration symbol



Approved by Nemko



Attention, read instructions before use



### Sun protection for illuminated magnifiers

The glass in illuminated magnifiers can if exposed to strong direct sunlight provide a source of unwanted concentrated heat. The product should therefore not be placed in direct sunlight without sun protection being used.



Stand by switch, on/off and dimming of the product.



Applicable only for North American market.

## Warning:

- Avoid spilling liquid on the product.
- Have minimum 400 lux light, when reading the labels on the product
- The switch disengages the low voltage to the lamp only. To disconnect the mains supply, unplug the plug from the socket outlet.
- To avoid risk of electric shock, this equipment must only be connected to a supply main with protective earth.
- Position the product so that it's easy to disconnect the device when the product is used as isolation means.
- To terminate operation, turn the product off with the switch. For storage, unplug the device and fold the arm together.
- If the light is too bright, dim down the product to an acceptable level.
- The power cable must be supplied by Glamox and only be replaced by a qualified electrical fitter, approved by Glamox.
- Any repairs of the arm must be performed by Glamox or Glamox approved personnel. The arm contains high tensions springs.
- Do not modify this equipment without authorization of the manufacturer, any changes without authorization will do that approval does not apply.
- When abnormal use Glamox declines all responsibilities.
- This product complies to IEC/EN 60601-1-2, electromagnetic compatibility for medical devices. Electromagnetic or other interference between this equipment and other devices should not occur. In the event of interference, please move the equipment's apart from each other, minimum 30 cm.
- This ME EQUIPMENT could cause risk of reciprocal interference during specific investigations or treatments.
- The product is not intended for use in areas where there is a risk of explosion.
- Users of this form of lighting should be aware that the manufacturer of the product can only accept liability for the lighting when maintenance, repairs or changes are carried out by the manufacturer or by companies which the manufacturer has approved to carry out such work, and when components that influence the safety or EMC of the lighting are replaced with original spare parts.

## Disposal

Disposal the product at a special collection centre for recycling of electronic and waste.

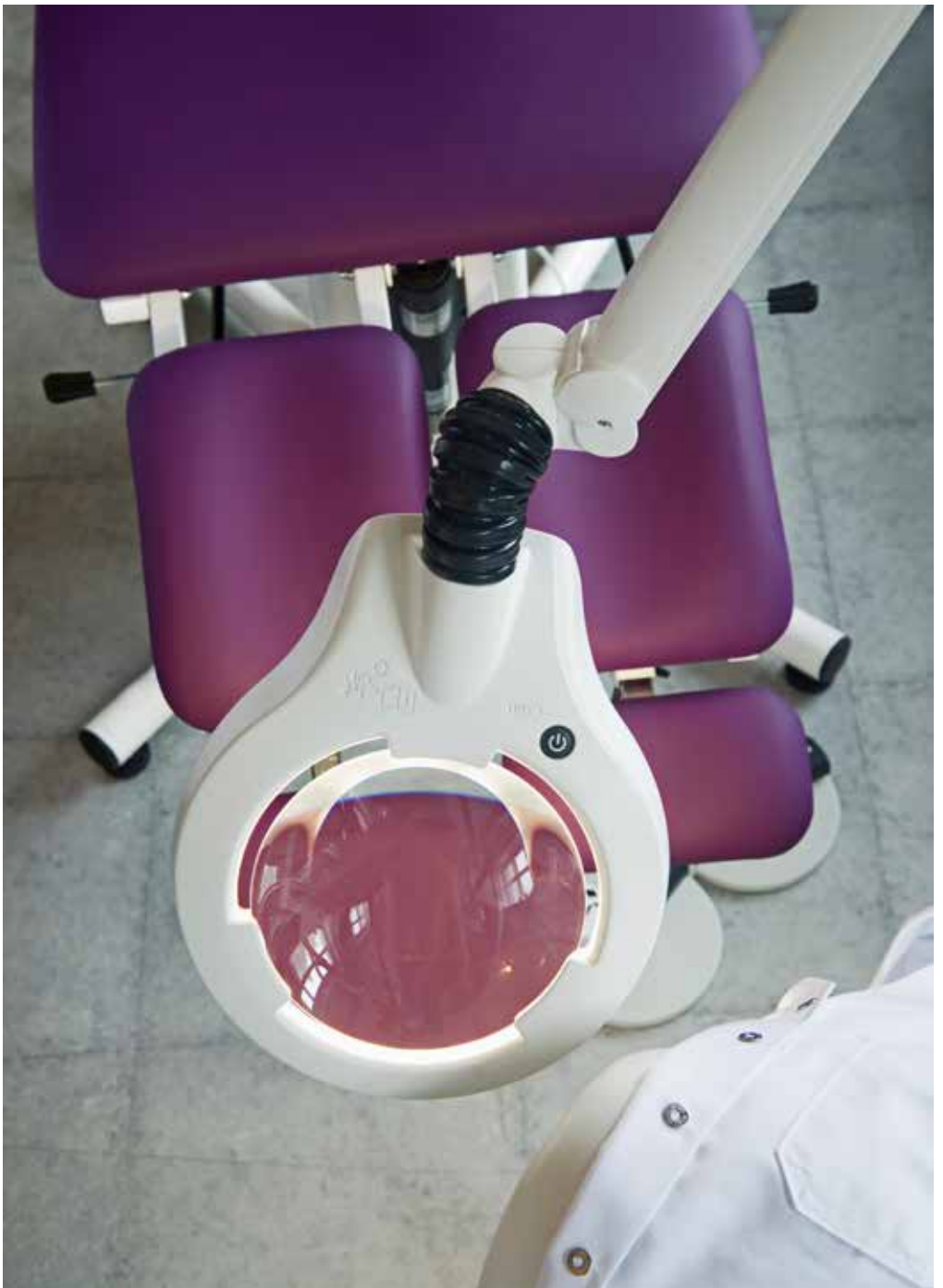
## Environmentally conditions

### Transport and storage

Ambient temperature ..... -20° C to 70° C  
Moisture content ..... 10 % to 92 % (keep dry)  
Atmospheric pressure ..... 500hPa til 1060hPa

### Operate

Ambient temperature ..... 5° C to 40° C  
Moisture content ..... 30 % to 75 %  
Atmospheric pressure ..... 700hPa to 1060hPa, Max 3000m





**Manufactured by:**

Glamox AS  
Birger Hatlebakks veg 15  
NO-6405 Molde, Norway

Please visit our web site for contact information  
[www.glamox.com](http://www.glamox.com)



Please refer to our website  
for information about  
our 5-year warranty.