

**LUXOR**

# AVJ42

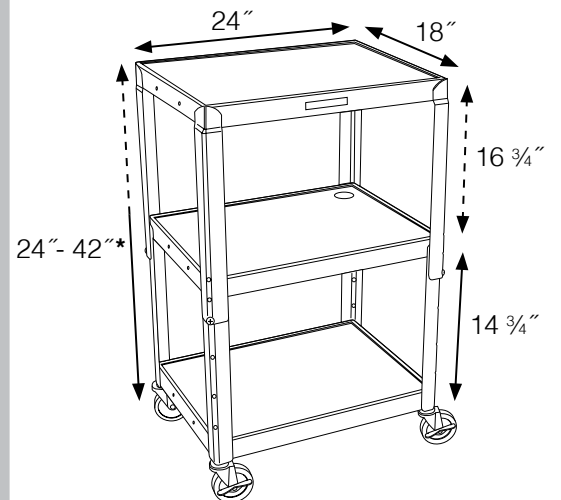


## 24"W x 18"D Adjustable Height Metal Cart



- Roll formed shelves with powder coat paint finish
- Cable pass through holes
- 3-outlet 15' UL and CSA listed electric
- 1/4" retaining lip around each shelf
- Includes safety mat for top shelf

### Measurements:



\* - in 2" increments

**Touchboards**

205 Westwood Ave, Long Branch, NJ 07740  
 Phone: 866-94 BOARDS (26273) / (732)-222-1511  
 Fax: (732)-222-7088 | E-mail: sales@touchboards.com

Available in 11 Colors:



Color Options:

<b>Black</b>	<b>Gray</b> LG	<b>Putty</b> OW	<b>Red</b> RD	<b>Burgundy</b> BY	<b>Blue</b> RB	<b>Yellow</b> YW	<b>Nickel</b> CH	<b>Green</b> GN	<b>Purple</b> P	<b>Navy</b> Z
--------------	-------------------	--------------------	------------------	-----------------------	-------------------	---------------------	---------------------	--------------------	--------------------	------------------