

42" High Presentation Stations



EA42E-B



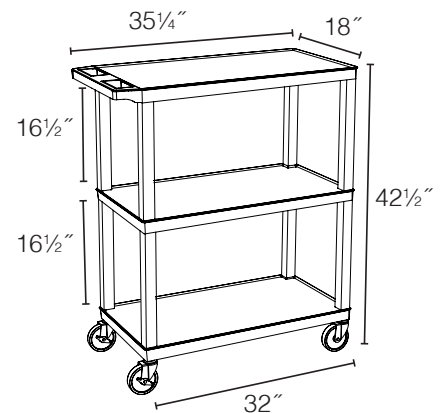
EA42LE-B



EA42LME-B

- 32"W x 18"D flat shelves
- 33% More capacity than a standard 24"W x 18"D cart
- Has an ergonomic push handle molded into the top shelf
- Four 4" full swivel casters, two with locking brake
- Shelves and legs are constructed with an injection molded thermoplastic resin
- 300 lb. weight capacity (evenly distributed)
- Available with drawer, pullout shelf and / or monitor mount
- Includes 3-outlet surge suppressing electric w/ 15 ft. cord and 3 wire clips
- Also available without electric

Measurements:



EA42CLME-B



EA42CLE-B



EA42CE-B

34" High Presentation Stations



EA34E-B

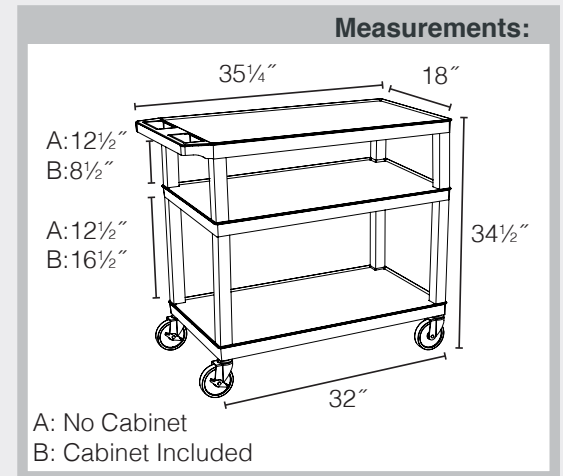


EA34DE-B



EA34LE-B

- 32"W x 18"D flat shelves
- 33% More capacity than a standard 24"W x 18"D cart
- Has an ergonomic push handle molded into the top shelf
- Four 4" full swivel casters, two with locking brake
- Shelves and legs are constructed with an injection molded thermoplastic resin
- 300 lb. weight capacity (evenly distributed)
- Available with drawer, pullout shelf and / or monitor mount
- Includes 3-outlet surge suppressing electric w/ 15 ft. cord



EA34CLE-B



EA34CDE-B



EA34CE-B