

### Parts List

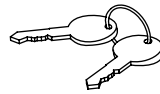
**A** x4



**B** x6



**C** x2



### Tools Required:

Electric Drill

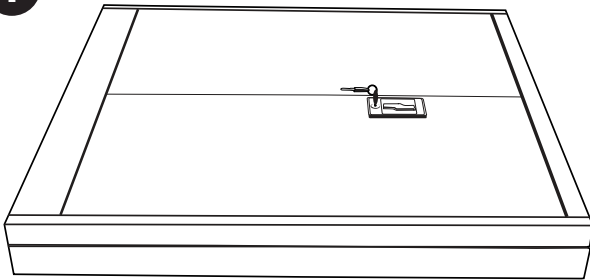


OR

Phillips  
Screwdriver

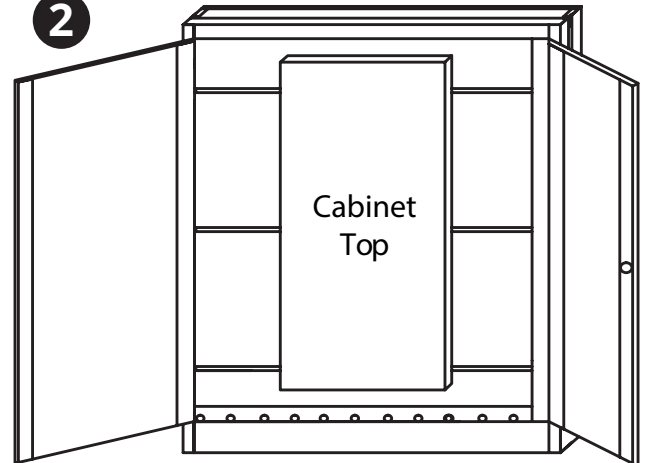


**1**



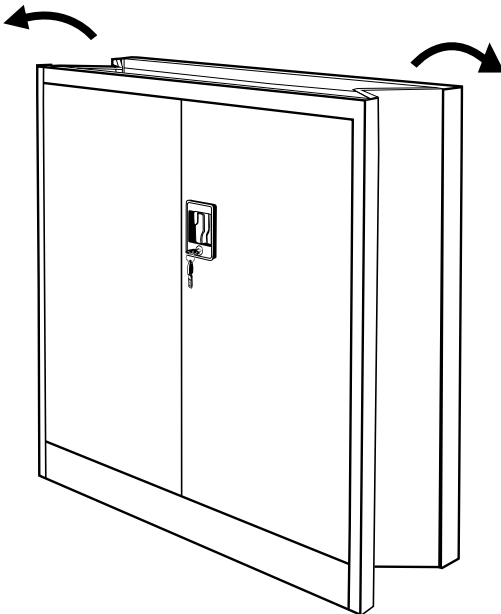
- Place cabinet on floor with door facing up.

**2**



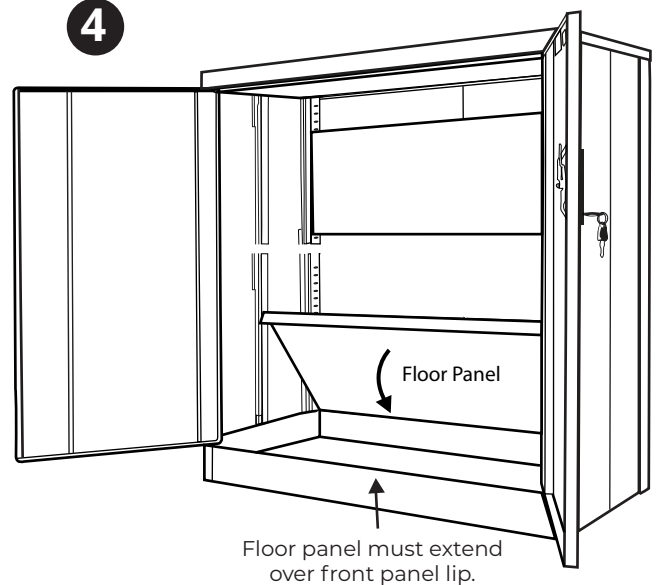
- Open doors and remove cabinet top.

**3**



- Stand cabinet upright, fold sides out to form a rectangle.

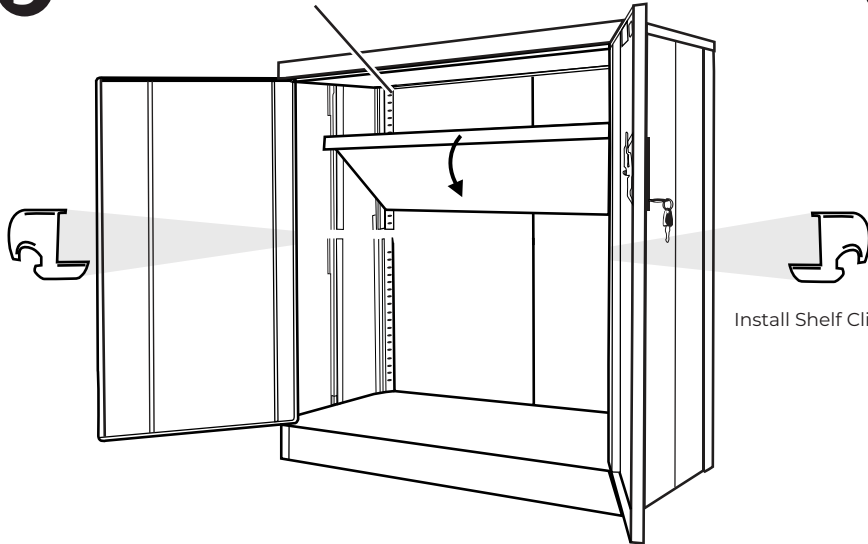
**4**



- Fold bottom floor panel into position.

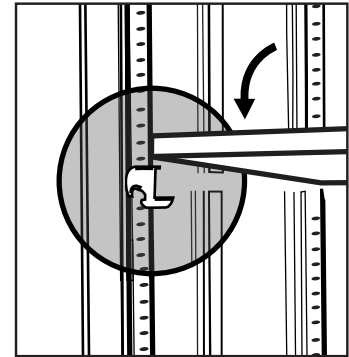
5

\*Release spring pin,  
underside of shelf



- Pull spring pin at top right of the underside of the shelf to release shelf down.
- Install Shelf Clips.

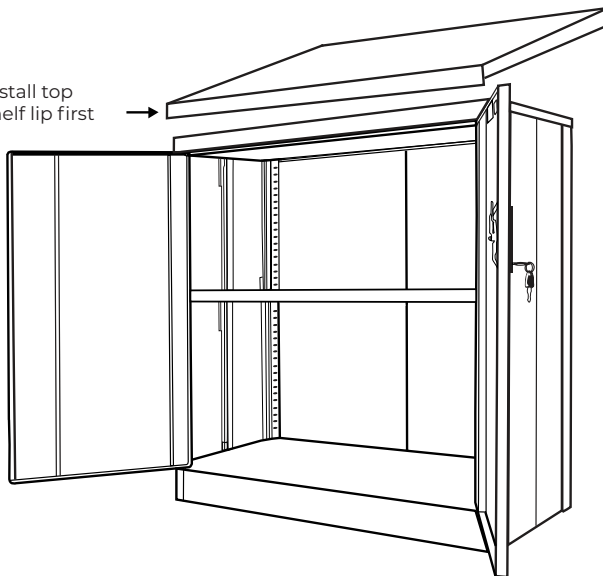
6



- Place front of the shelf onto the shelf clips.
- Press firmly into place on front corners.

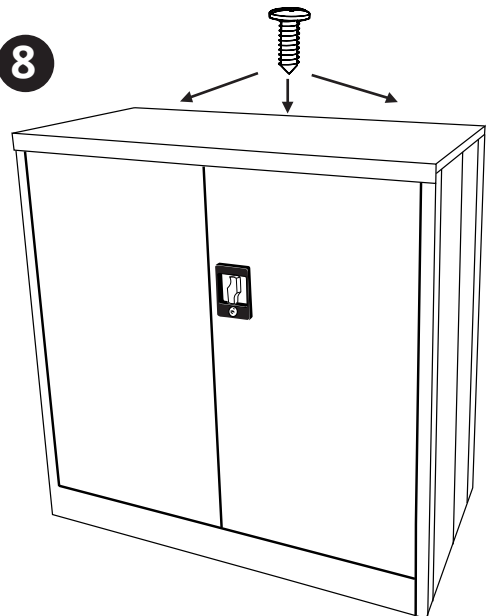
7

Install top  
shelf lip first



- Install the top of the cabinet onto the unit by first pressing the front corners firmly into place.
- Press back corners down firmly to secure into position.

8



- Use the screws to secure the top onto the cabinet.