

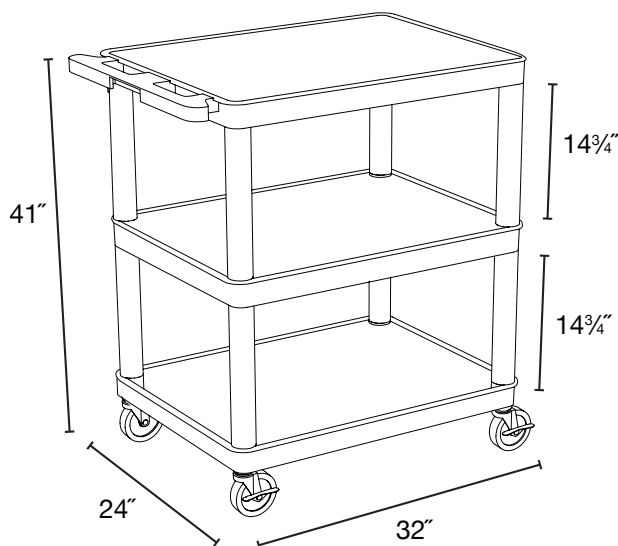
Structural Foam Plastic Cart



HE40
32"W x 24"D x 41"H



- Measures 32"W x 24"D x 41"H (width includes handle) with a clearance between shelves of 14³/₄"
- Includes three 1.75" flat shelves with .25" retaining lip to secure items from sliding off
- Ergonomic push handle molded into the top shelf for optimum comfort
- Four 4" Heavy-Duty non-marring casters, two with locking brake
- Molded plastic shelves and legs won't stain, scratch, dent or rust
- Maximum weight capacity of 400lbs (evenly distributed)



Touchboards

205 Westwood Ave, Long Branch, NJ 07740
Phone: 866-94 BOARDS (26273) / (732)-222-1511
Fax: (732)-222-7088 | E-mail: sales@touchboards.com

MADE IN USA