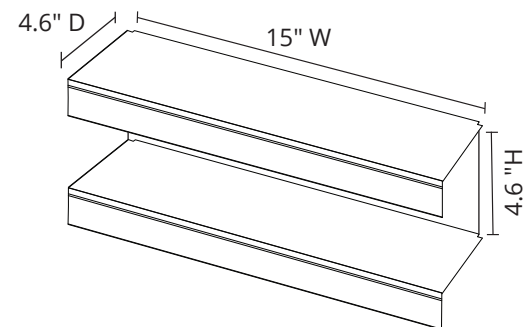
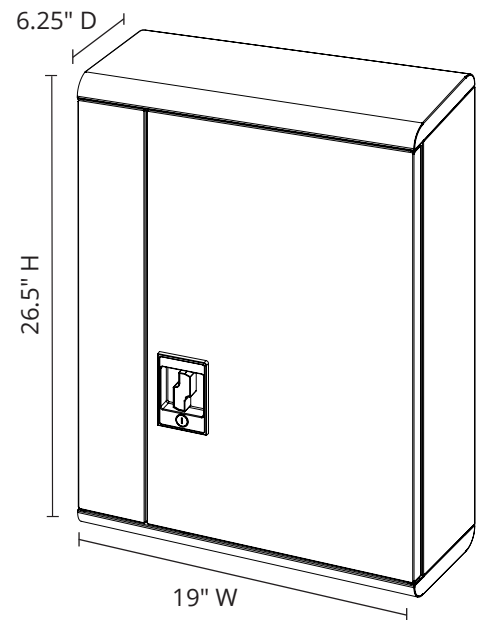


# LLST20-G

## STEM/MAKERSPACE ROBOTICS CHARGING STATION

### Product Specifications

Item Number	LLST20-G
Material	Powder Coated Steel
Color Finish	Light Gray
Cabinet Overall Dimensions	19"W x 6.25"D x 26.5"H
Slot Dimensions	15"W x 4.6"D x 4.6"H
Cord Length	10'
Cord Quantity	1
Lock	Key-lock; 2 Keys
Power	One 10-outlet vertical power strip; Internal power strip is UL and cUL Listed Includes: 10 x 1.5' USB to Micro USB cables 10 x 3' USB to Micro USB cables 7 x 3-USB output adapters
Voltage	120V/15A
Ship Method	Ground
Shipping Dims	22"W x 8"D x 31"H
Shipping Weight	37 lbs.
Actual Weight	33 lbs.
Weight Capacity	40 lbs.
Mounting Hardware	Included (for drywall surface)
Assembly Required	No unit assembly, but unit must be attached to wall



To Order, Call Your  
Sales Representative  
or 800-323-4656