

72" X 40" MOBILE MAGNETIC DOUBLE-SIDED GHOST GRID WHITEBOARD

MB7240LB

Luxor's 72" x 40" mobile magnetic whiteboard features a 2" x 2" ghost grid pattern that instantly transforms a traditional whiteboard into an effective tool to facilitate communication in businesses, schools, and manufacturing environments. Two rolls of whiteboard tape are included to create the straight lines required for professional-looking graphs and columns without drawing attention to the grid lines.

Perfect for sharing ideas, collaborating, or tracking LEAN initiatives, this dry erase board's painted steel surface provides a smooth writing finish that resists stains and ghosting while the magnetic quality allows printed documents and notes to be easily displayed. The reversible feature doubles the writing space; simply loosen the side knobs to disengage the spring-loaded locking clip and flip the board from one side to the next. Four rolling casters provide easy mobility, then engage the two locking brakes to maintain a fixed position.

Lightweight yet durable, the Luxor ghost grid mobile magnetic whiteboard offers a modern look along with the functionality required for offices, training centers, classrooms, or production settings.

Dimensions:

- Overall: 74.5"W x 23"D x 69"H
- Board: 72"W x 40"H

Features:

- 72" x 40" whiteboard with 2" x 2" ghost grid pattern
- Includes two rolls of black whiteboard tape to create graphs and columns
- Reversible board easily flips for twice the writing area
- Painted steel whiteboard surface resists ghosting and staining
- Magnetic surface allows for posting of documents and notes
- 1" aluminum frame delivers contemporary style and lasting durability
- 2" deep aluminum marker tray provides easy storage of whiteboard supplies
- Four 2" casters; two with locking brakes provide easy mobility
- Mounting brackets and hardware included for quick installation
- Ships freight in one box

2245 Delany Road, Waukegan, IL 60087
800-323-4656 | Fax 847-244-1818 | www.LuxorFurn.com

LUXOR

INNOVATIVE WORKSPACE PRODUCT SOLUTIONS

72" X 40" MOBILE MAGNETIC GHOST GRID WHITEBOARD

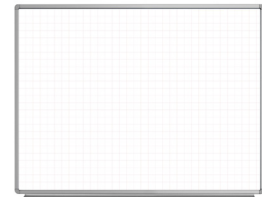
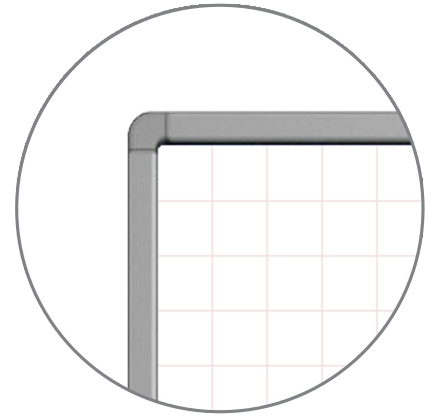
MB7240LB

Features a 2" x 2" ghost grid pattern that transforms a traditional dry erase board into a visual management whiteboard

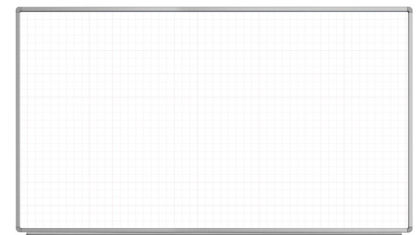
ALSO AVAILABLE:

48" x 36" mobile version (MB4836LB)

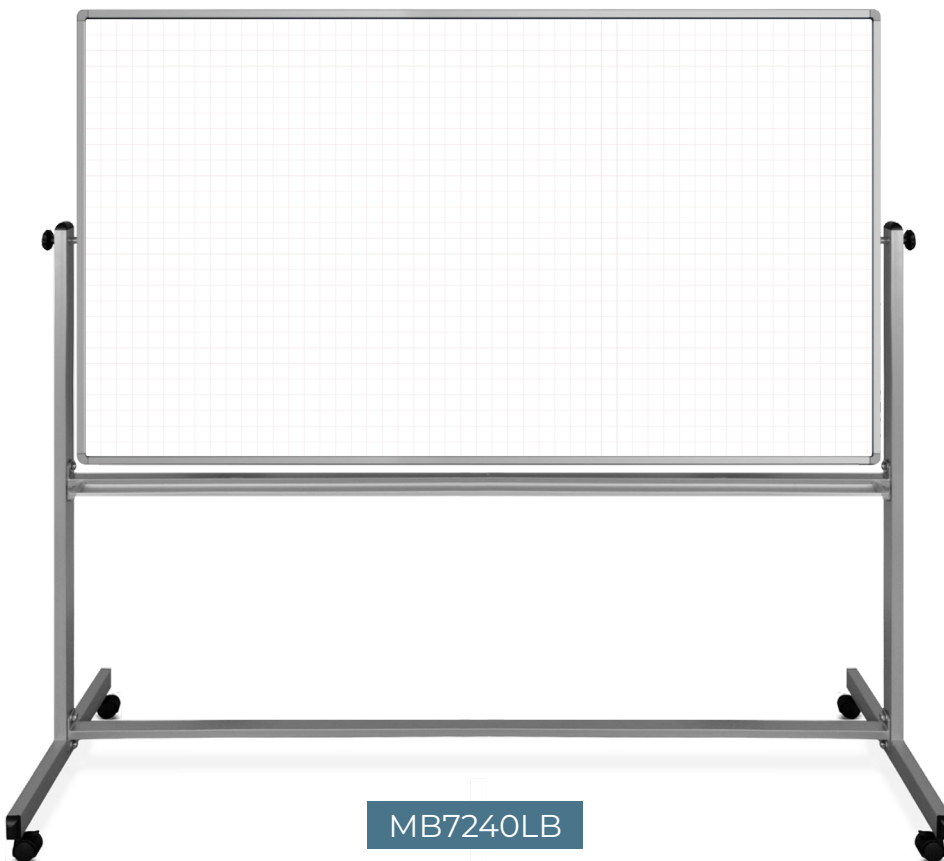
48" x 36" and 72" x 40" wall-mounted versions (WB4636LB, WB7240LB)



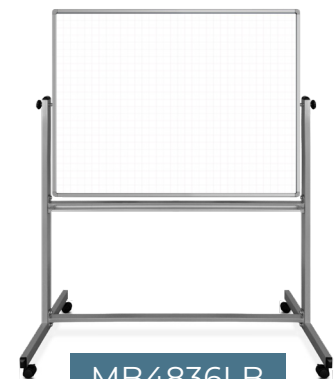
WB4836LB



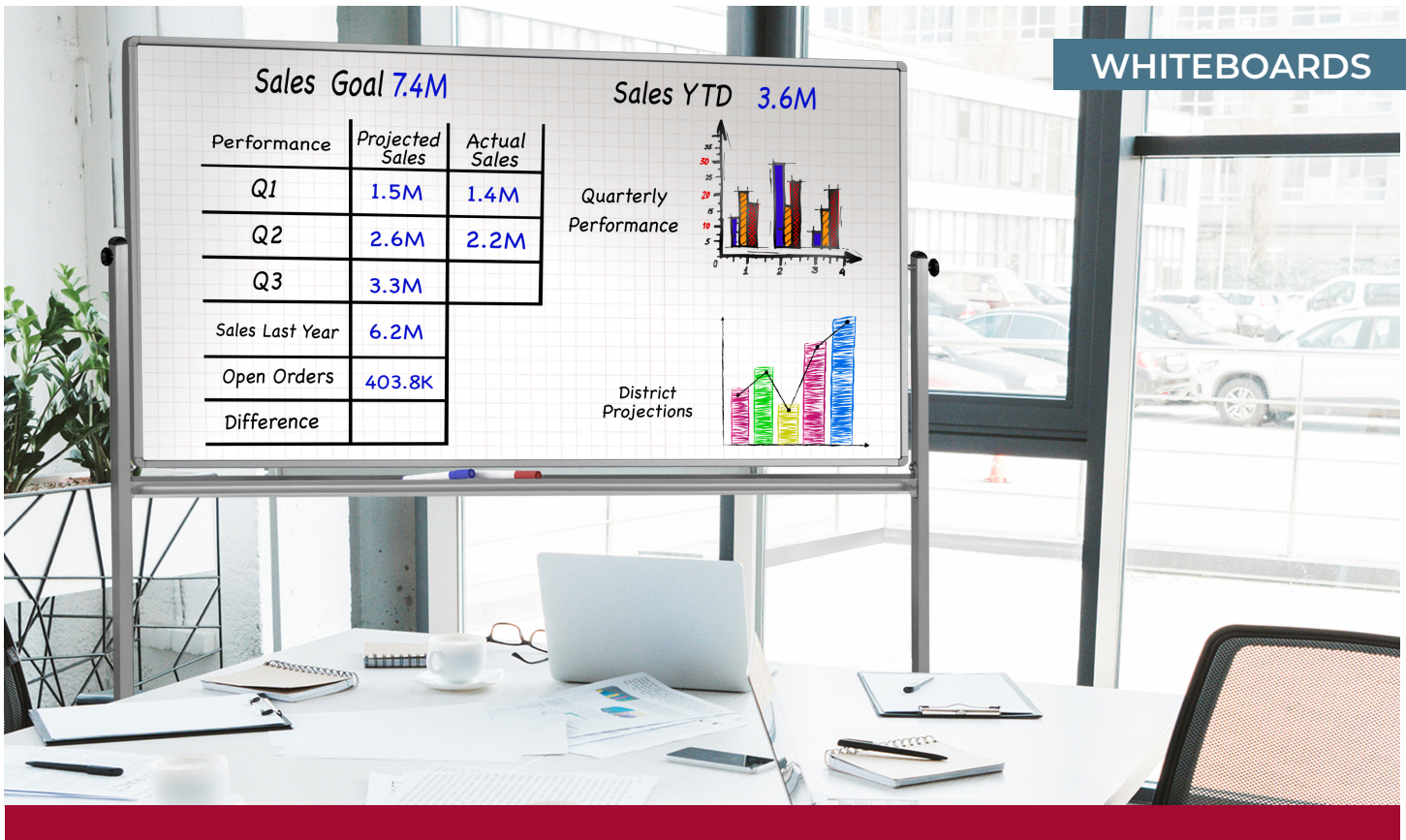
WB7240LB



MB7240LB



MB4836LB



72" X 40" MOBILE MAGNETIC DOUBLE-SIDED GHOST GRID WHITEBOARD

MB7240LB

Luxor's 72" x 40" mobile magnetic whiteboard features a 2" x 2" ghost grid pattern that instantly transforms a traditional whiteboard into an effective tool to facilitate communication in businesses, schools, and manufacturing environments. Two rolls of whiteboard tape are included to create the straight lines required for professional-looking graphs and columns without drawing attention to the grid lines.

Perfect for sharing ideas, collaborating, or tracking LEAN initiatives, this dry erase board's painted steel surface provides a smooth writing finish that resists stains and ghosting while the magnetic quality allows printed documents and notes to be easily displayed. The reversible feature doubles the writing space; simply loosen the side knobs to disengage the spring-loaded locking clip and flip the board from one side to the next. Four rolling casters provide easy mobility, then engage the two locking brakes to maintain a fixed position.

Lightweight yet durable, the Luxor ghost grid mobile magnetic whiteboard offers a modern look along with the functionality required for offices, training centers, classrooms, or production settings.

Dimensions:

- Overall: 74.5"W x 23"D x 69"H
- Board: 72"W x 40"H

Features:

- 72" x 40" whiteboard with 2" x 2" ghost grid pattern
- Includes two rolls of black whiteboard tape to create graphs and columns
- Reversible board easily flips for twice the writing area
- Painted steel whiteboard surface resists ghosting and staining
- Magnetic surface allows for posting of documents and notes
- 1" aluminum frame delivers contemporary style and lasting durability
- 2" deep aluminum marker tray provides easy storage of whiteboard supplies
- Four 2" casters; two with locking brakes provide easy mobility
- Mounting brackets and hardware included for quick installation
- Ships freight in one box

2245 Delany Road, Waukegan, IL 60087
800-323-4656 | Fax 847-244-1818 | www.LuxorFurn.com

LUXOR

INNOVATIVE WORKSPACE PRODUCT SOLUTIONS

72" X 40" MOBILE MAGNETIC GHOST GRID WHITEBOARD

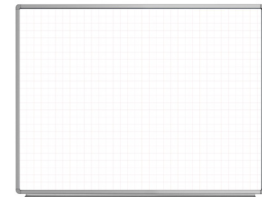
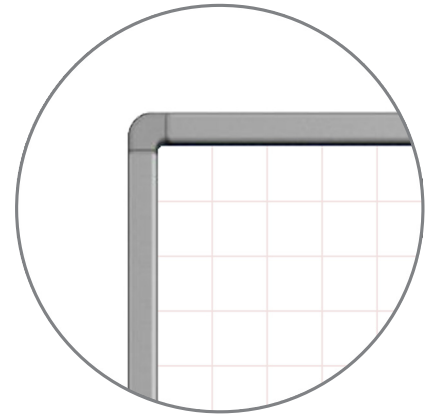
MB7240LB

Features a 2" x 2" ghost grid pattern that transforms a traditional dry erase board into a visual management whiteboard

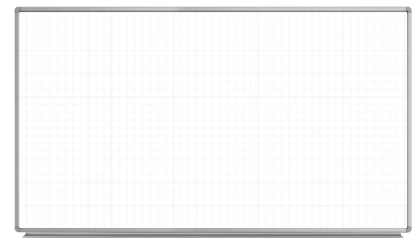
ALSO AVAILABLE:

48" x 36" mobile version (MB4836LB)

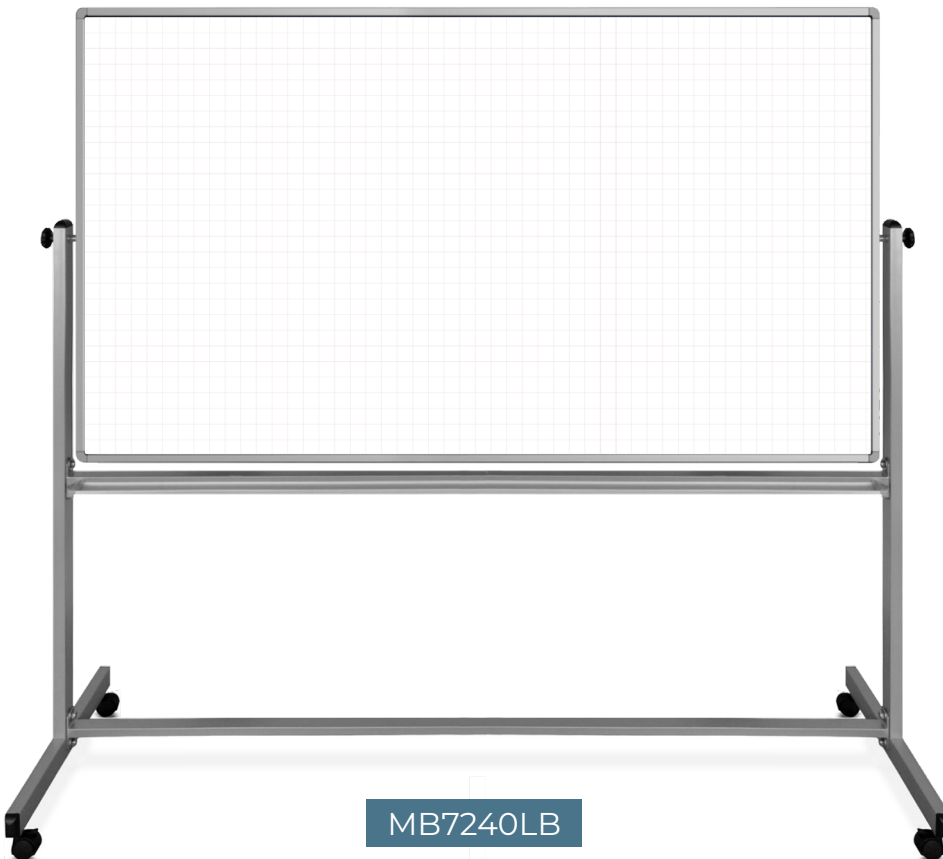
48" x 36" and 72" x 40" wall-mounted versions (WB4636LB, WB7240LB)



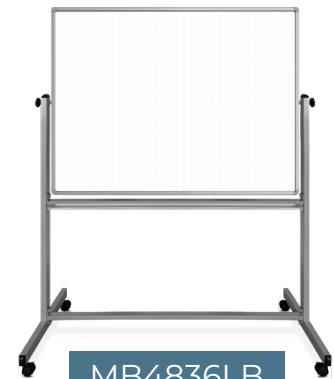
WB4836LB



WB7240LB



MB7240LB



MB4836LB