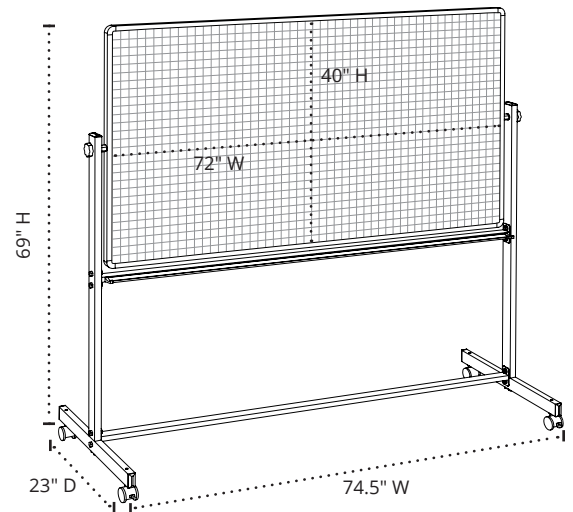
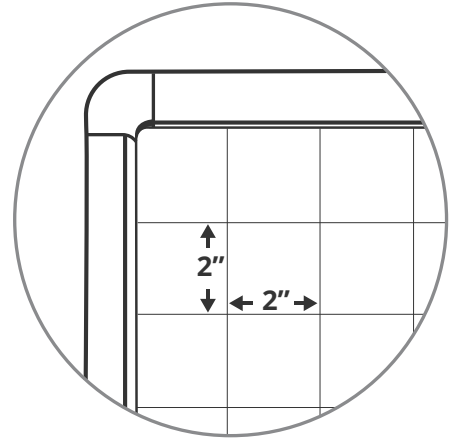


# MB7240LB MOBILE MAGNETIC GHOST GRID WHITEBOARD

## Product Specifications

|                            |                                     |
|----------------------------|-------------------------------------|
| Item Number                | MB7240LB                            |
| Material                   | Painted Steel                       |
| Frame                      | Aluminum; 1" edging                 |
| Surface Material           | Magnetic Painted Steel              |
| Grid Pattern               | 2" x 2"                             |
| Whiteboard Tape            | Ships with 2 rolls                  |
| Full Dimensions            | 74.5"W x 23"D x 69"H                |
| Board Dimensions           | 72"W x 40"H                         |
| Base Dimensions            | 74.5"W x 23"D                       |
| Tray Style                 | Full Length                         |
| Casters (4)                | 2" casters; two with locking brakes |
| Actual Weight              | 41 lbs.                             |
| Shipping Method            | Freight                             |
| Shipping Carton Dimensions | 77"W x 49"D x 2"H                   |
| Shipping Weight            | 59 lbs.                             |
| Assembly Required          | Yes                                 |



To Order, Call Your  
Sales Representative  
or 800-323-4656