

PS3945-KBEP

Mobile Computer Cart with Battery-Powered Device Charger

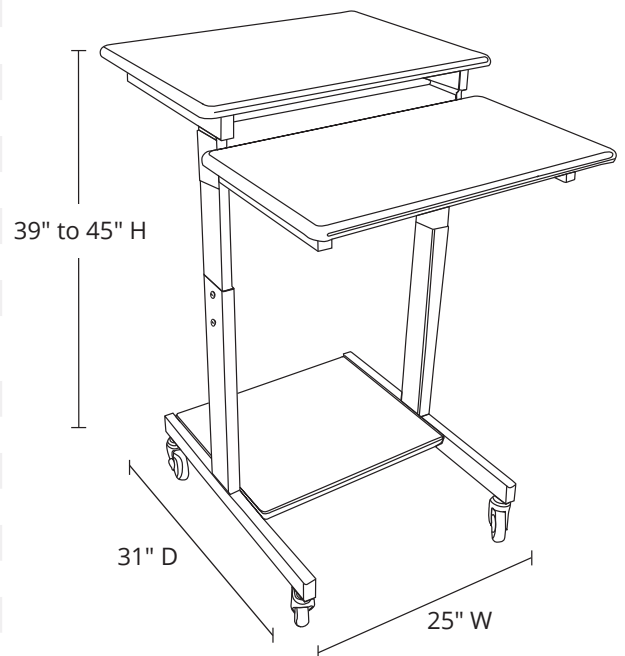
Product Specifications - Cart and Device Charger Bundle

Item Number	PS3945-KBEP
Shipping Method	Freight
Shipping Carton Dimensions:	
Box 1: PS3945	29" W x 27" D x 5" H
Box 2: KBEP-2B1C1	21" W x 12" D x 9" H
Shipping Weight:	
Box 1: PS3945	43 lbs.
Box 2: KBEP-2B1C1	13 lbs.

To Order, Call Your
Sales Representative
or 800-323-4656

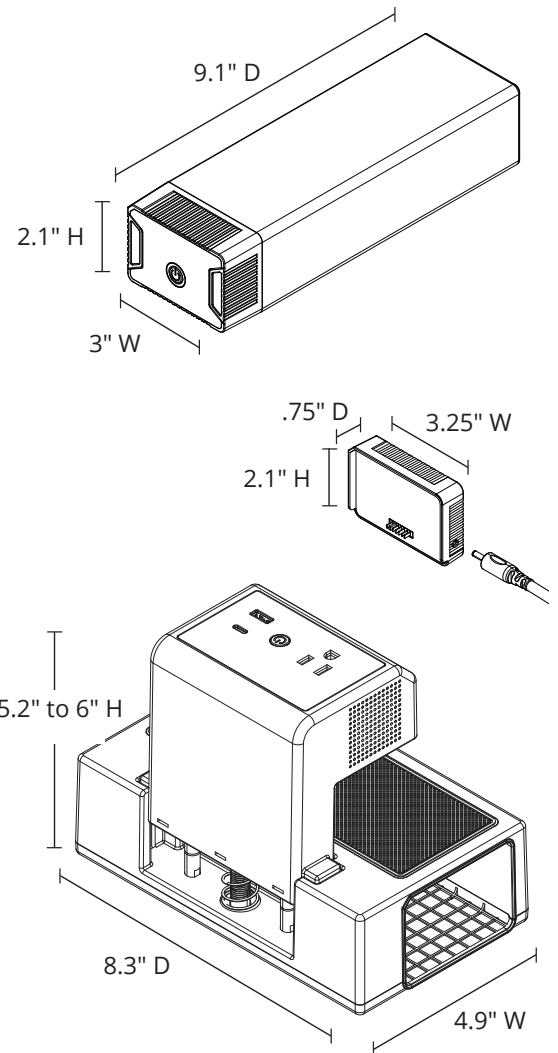
Product Specifications - Adjustable-Height Presentation Workstation

Item Number	PS3945
Shelf Material	High-density fiberboard
Frame Material	Steel with powder coated finish
Overall Dimensions	24" W x 31" D x 39" to 45" H
Top Shelf Dimensions	24" W x 18" D
Middle Shelf Dimensions	24" W x 14" D
Bottom Shelf Dimensions	18.75" W x 15.75" D
Panel Dimensions	38.5" W x 64" H
Panel Thickness	5/16"
Casters (4)	3" casters; two with locking brakes
Total Weight Capacity (stationary)	176 lbs.
Top Shelf Weight Capacity (stationary)	77 lbs.
Middle Shelf Weight Capacity (stationary)	77 lbs.
Bottom Shelf Weight Capacity (stationary)	22 lbs.
Total Weight Capacity (mobile)	110 lbs.
Top Shelf Weight Capacity (mobile)	44 lbs.
Middle Shelf Weight Capacity (mobile)	44 lbs.
Bottom Shelf Weight Capacity (mobile)	22 lbs.
Product Weight	41 lbs.
Assembly Required	Yes
Warranty	5-year limited warranty



Product Specifications - KwikBoost EdgePower® Desktop Charging Station System

Item Number	KBEP-2B1C1
AC Outlet Output	Output: 100V-120V, 60Hz, modified sine wave Continuous Output Power: 100W Peak Output Power: 120W (10 minutes)
USB Output	USB-A Port: 5V 2.4A (12W) - Quick Charge 3.0 Technology USB-C PD Port: 5V 2A (10W), 12V 1.5A (18W)
Single Battery Charger Input	100-240V 50/60Hz (2A)
Charging Output to Battery	25.5V 3.0A
Battery Capacity	146.52Wh (18 cells)
Cell Type	18650 Li-ion battery (2200mAh at 3.7V)
Life Cycles	500 times (higher than 80% of the initial capacity)
Shelf-Life	1 year after first charge
Battery Shipping Classifications	UN 3480
Battery Cell Recharge Time	2 hours
Desktop Charging Unit Weight	1.8 lbs.
Rechargeable Battery Weight	2.8 lbs.
Single Battery Charger Weight	1.0 lb.
Desktop Charging Unit Dimensions	8.3" D (10.3" with battery inserted) x 4.9" W x 5.2" to 6" H (based on clamp setting)
Charging Unit Clamp Height Range	0.7" to 1.5"
Rechargeable Battery Dimensions	9.1" D x 3.0" W x 2.1" H
Single Battery Charger Dimensions	0.75" D x 3.25" W x 2.25" H
Warranty	Limited one (1) year from date of shipment
Certifications	FCC, ETL
Operating Temperatures Charging	32° to 113°F (0° to 45°C); Discharge 14° to 131°F (-10° to 55°C)
Device Protection Features	Temperature, short circuit, overcharge, self-balancing algorithm
Output Protection Features	AC/USB outlet, power overflow, voltage overflow/underflow
Input Protection Features	Charging overflow, charging circuit



To Order, Call Your
Sales Representative
or 800-323-4656