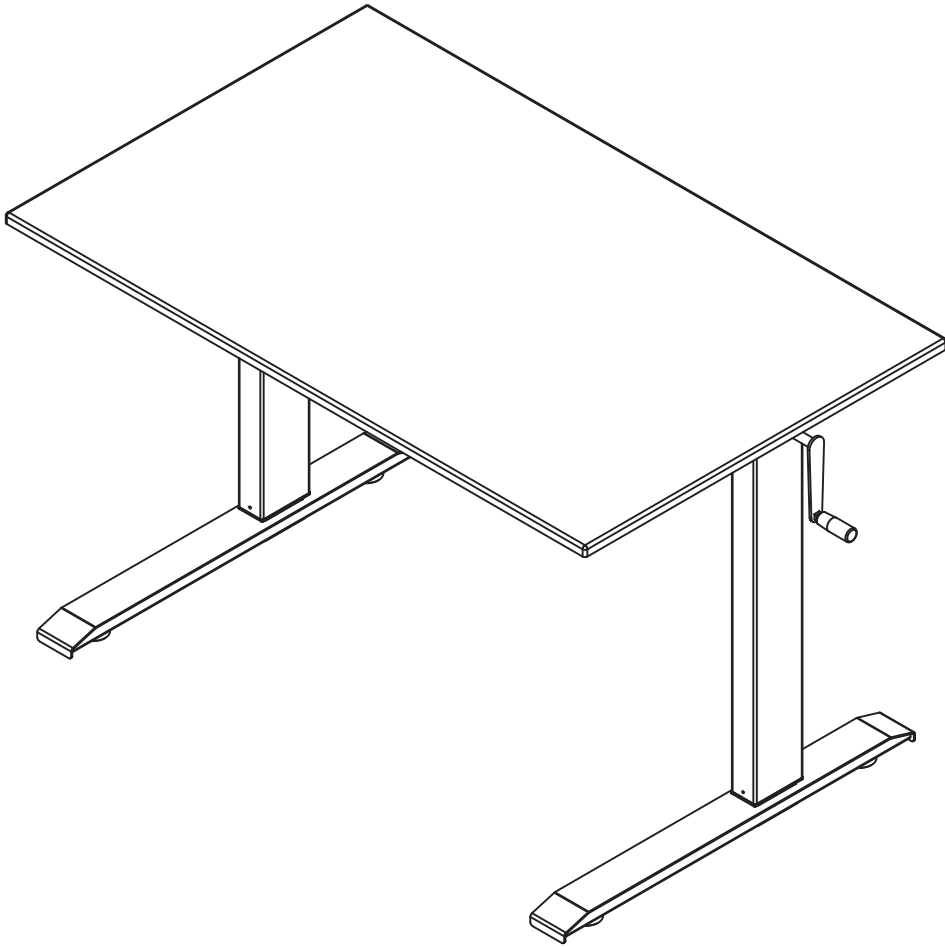


LUXOR





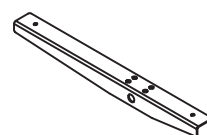
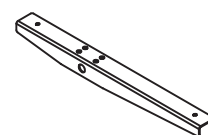
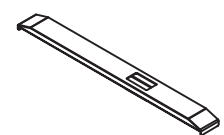
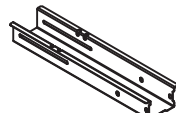
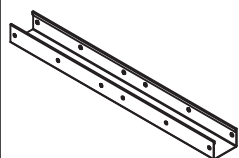
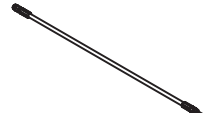
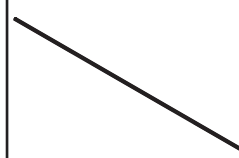
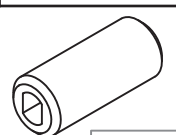
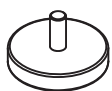
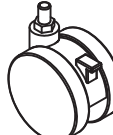

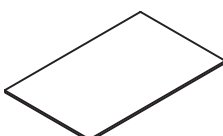
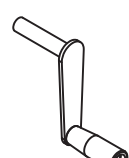
Questions or concerns?
Contact us directly!








1-800-323-4656
Info@LuxorFurn.com

High Speed Crank Desk

PARTS INCLUDED NOT TO SCALE

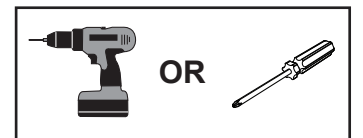
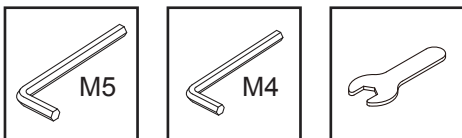
A QTY: 1 	B QTY: 1 	C QTY: 1 	D QTY: 1 	E QTY: 2 
F QTY: 2 	G QTY: 1 	H QTY: 1 	I QTY: 1 	J QTY: 2 
K QTY: 4 	L QTY: 2 	M QTY: 2 	N QTY: 1*  Ships separate box	O QTY: 1 

HARDWARE INCLUDED NOT TO SCALE, COLOR MAY VARY

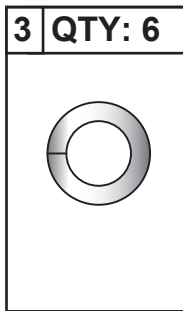
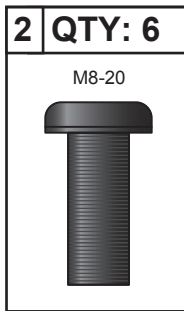
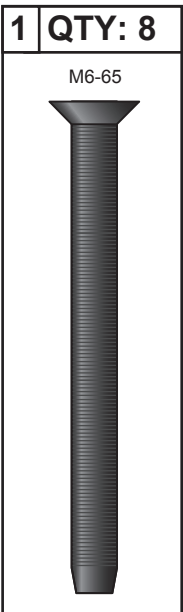
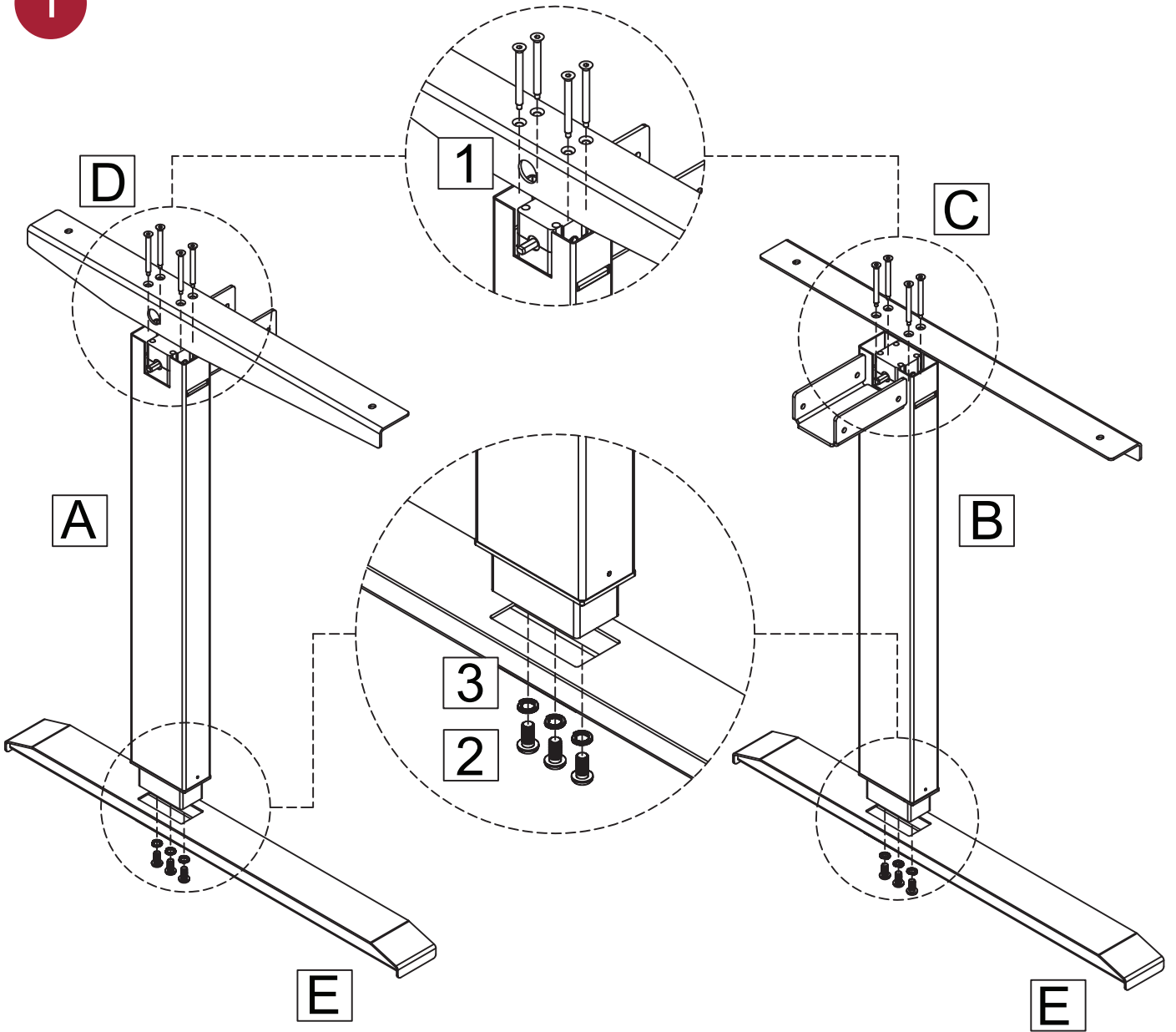
1 QTY: 8 M6-65 	2 QTY: 6 M8-20 	3 QTY: 6 	4 QTY: 10 M8-15 	5 QTY: 22 M6-12 
---	---	--	--	---

TOOLS INCLUDED

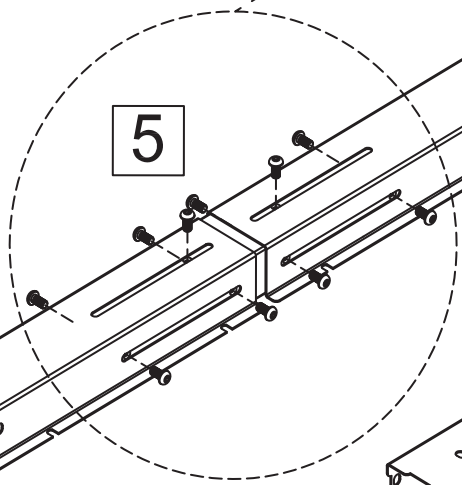
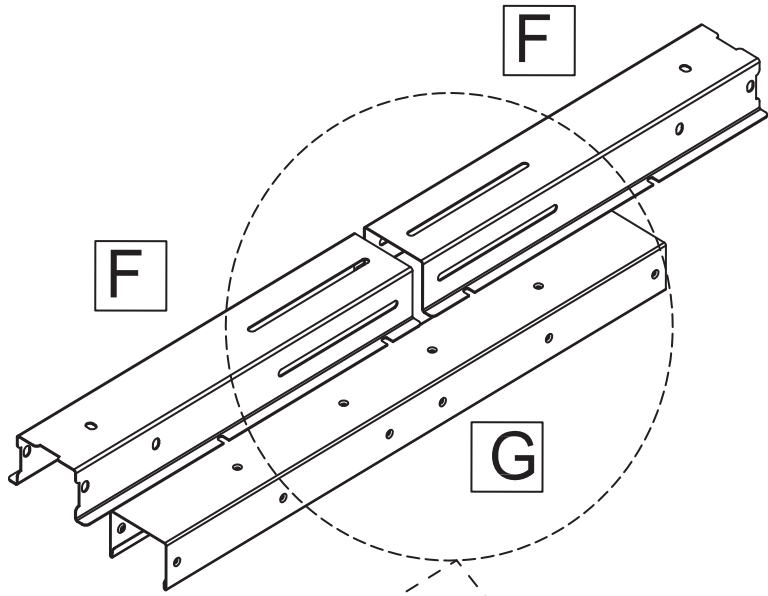
TOOLS REQUIRED



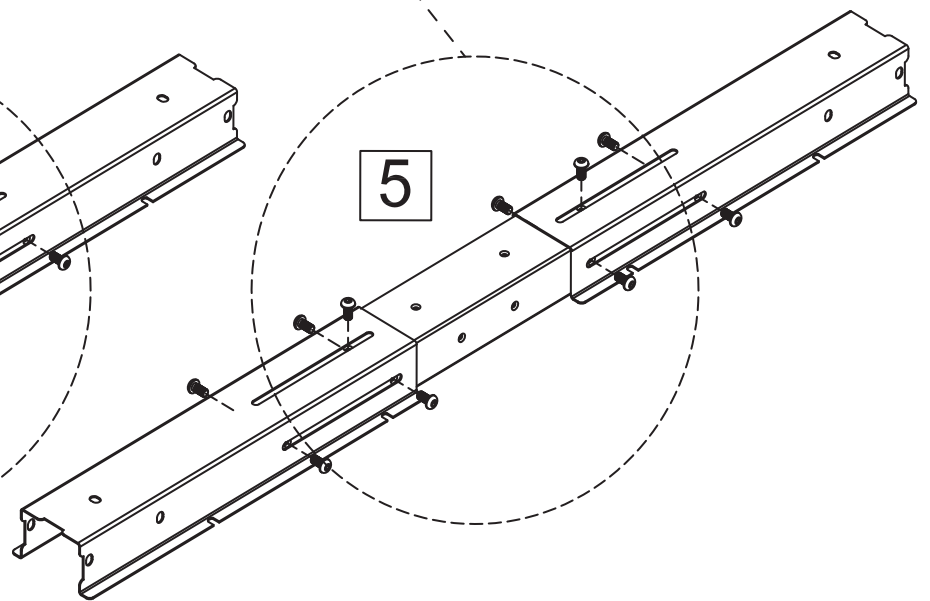
1



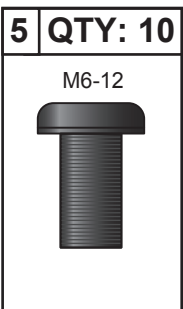
2



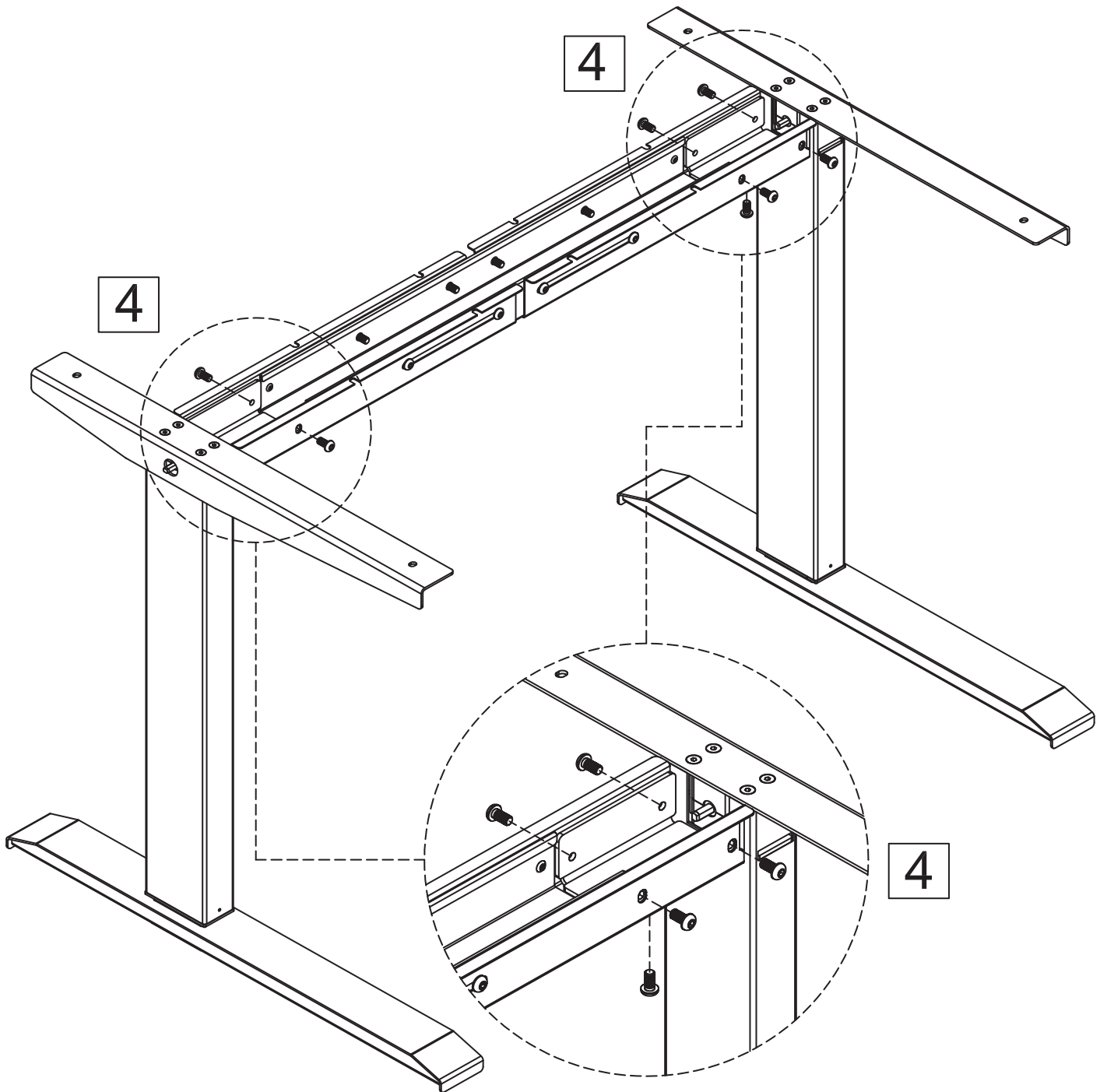
48" Desktop



60" Desktop

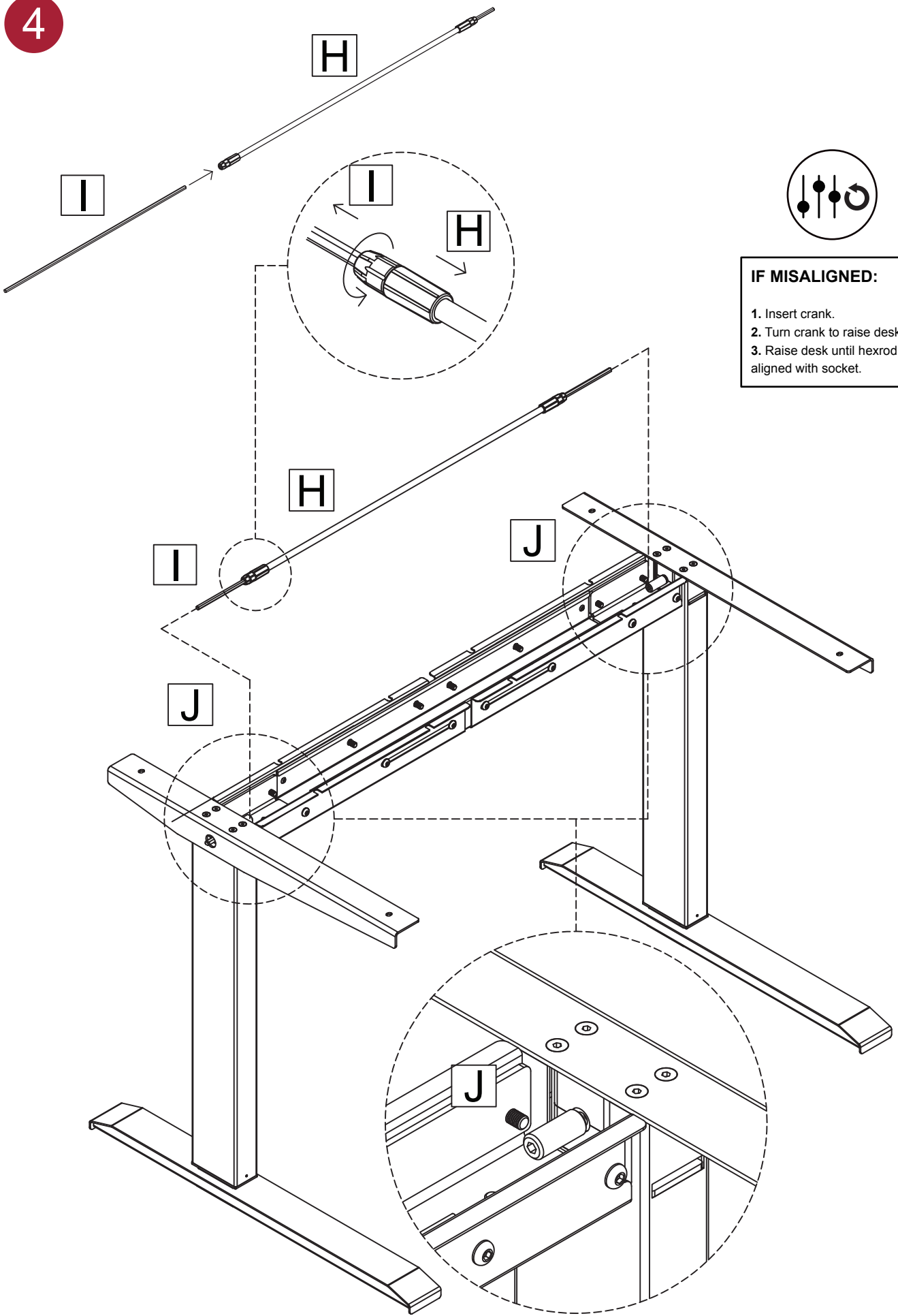


3

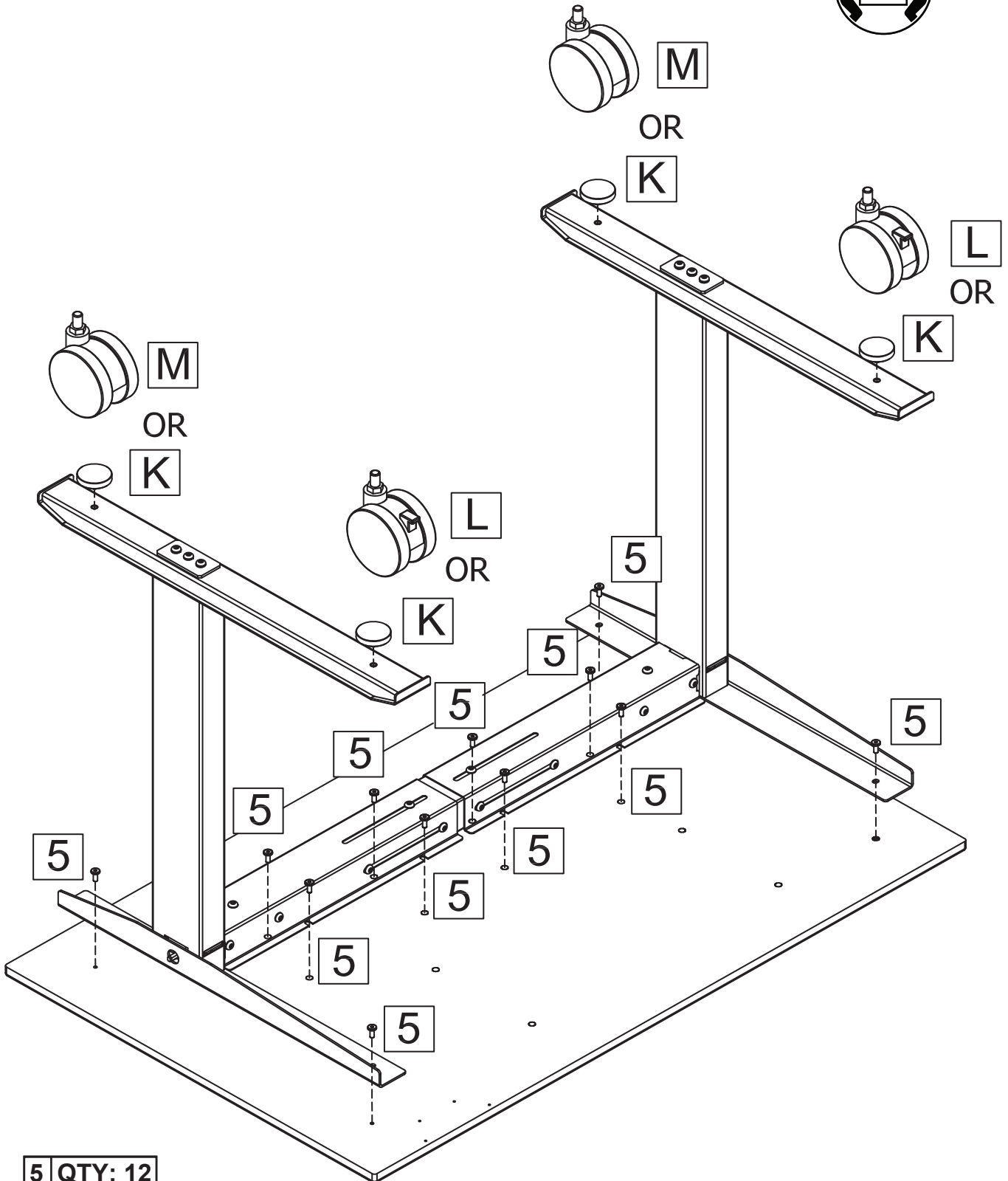


4	QTY: 10
M8-15	

4



5



5	QTY: 12
M6-12	

6

