

Adjustable Height Steel A/V Carts

Available in 5 Colors:



W42ACE

24 - 42" H x 24" W x 18" D

Steel shelves have a 1/4" retaining lip, with cable access holes. No slip rubber mat for adjustable top shelf.

Locking security cabinet has full piano hinge door.

A set of silent roll, 4" full swivel ball bearing casters, two with locking brakes.

Includes a 3-outlet UL listed electrical assembly with a 15 ft. cord.

Color Options:

Black

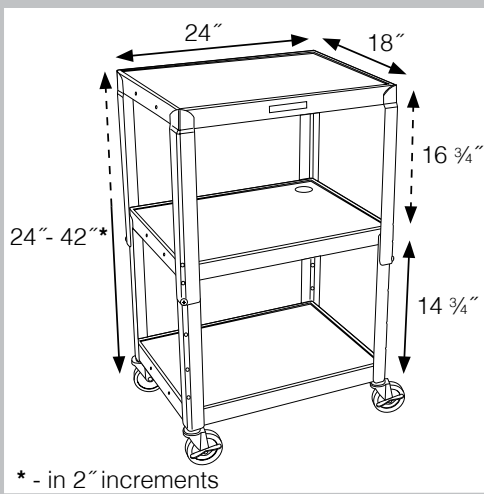
Gray
GY

Red
R

Burgundy
BY

Blue
BU

Measurements:



W42AE

24 - 42" H x 24" W x 18" D

Available in 11 Colors:



Color Options:

Black

Gray
GY

Putty
OW

Red
R

Burgundy
BY

Blue
BU

Yellow
Y

Nickel
CH

Green
G

Purple
P

Navy
Z

To specify which unit color is ordered, replace ★ in this example product number with available color option of choice: **W42A★CE**

