

Mobile Carts w/ Universal Flat Panel Mount

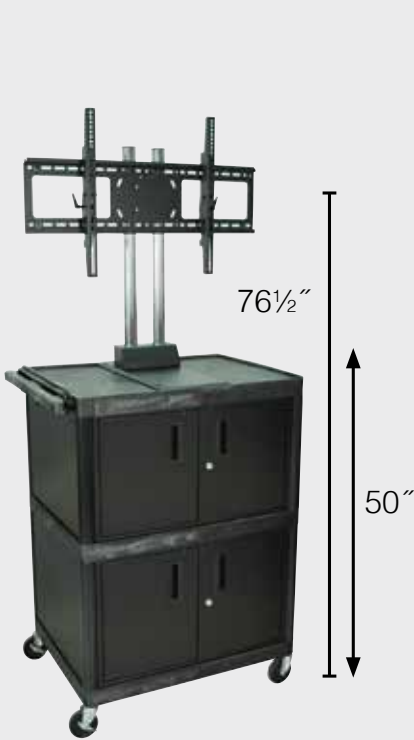
Tuffy video carts bracket includes a **WFST Universal Mount**. With an exclusive counter-weight system.

Shelves are constructed with a injection molded thermoplastic resin. Will not chip, warp, rust or peel. There are two metal reinforcements molded into the 2" thick top shelf for extra strength.

Includes a 3-outlet UL listed electrical assembly with a 15 ft. cord. Electrical assembly is recessed to insure easy passage through doorways and other tight spots.

A set of silent roll, 4" full swivel ball bearing casters, two with locking brakes.

Locking steel cabinet panels fit firmly into the specially molded leg slots.



WPTV50E



Ships Via Truck Line



WPTV44CE



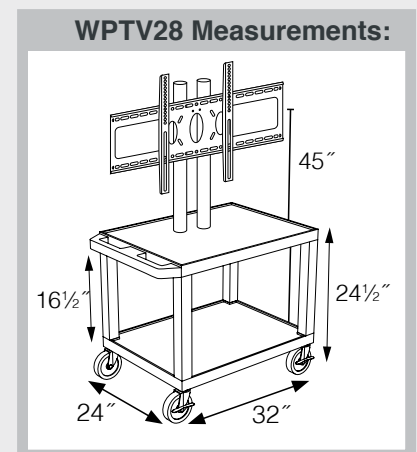
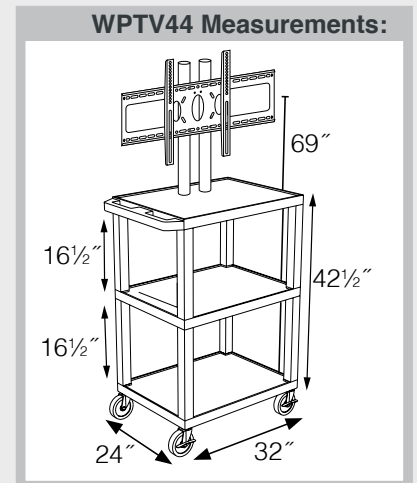
WPTV44E



WPTV28CE



WPTV28E



***Height is the measurement from the floor to mount center**

