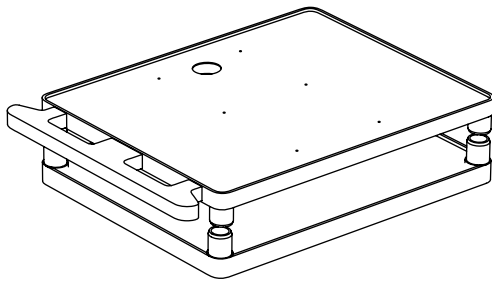
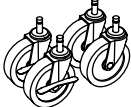


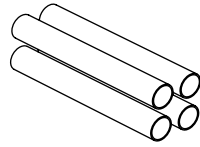
2 Large Shelf Mobile LCD TV Cart

07/28/15

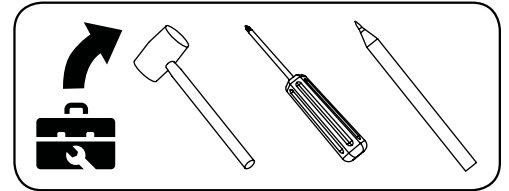


D x2  **E** x2

A x1
B x1



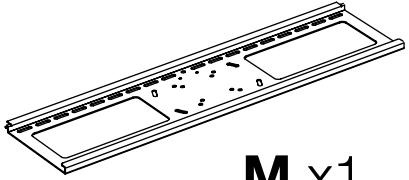
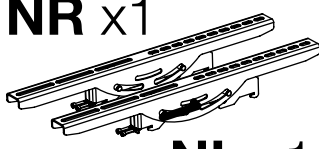
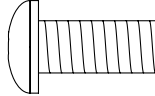
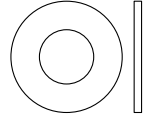
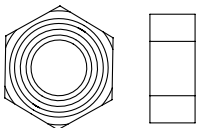
F x4

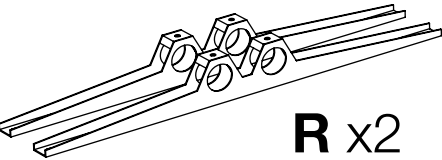
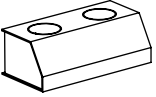
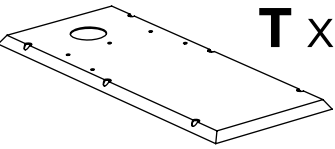
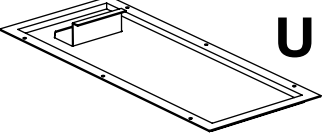

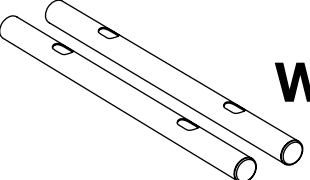


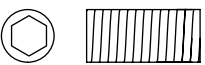
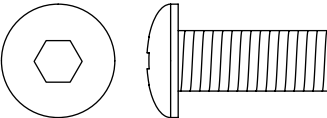
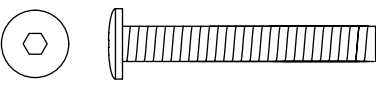
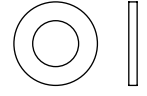
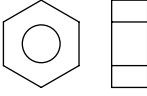
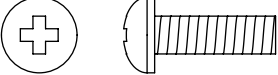
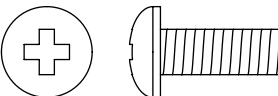
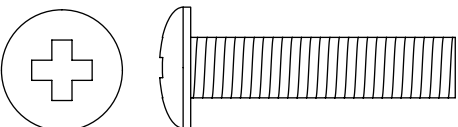
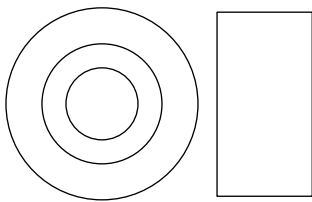
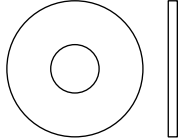
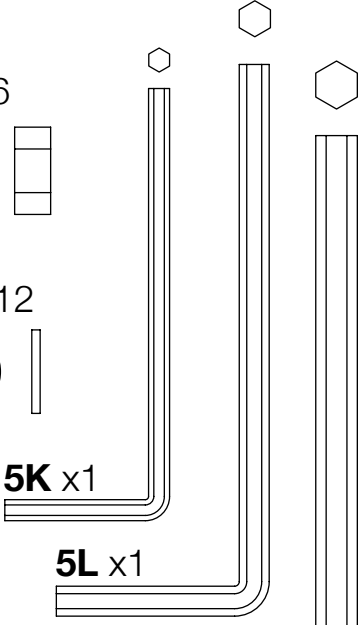
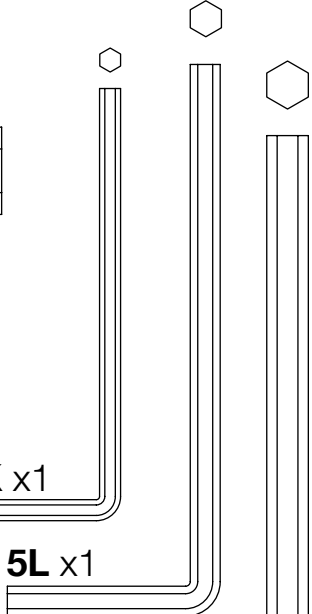
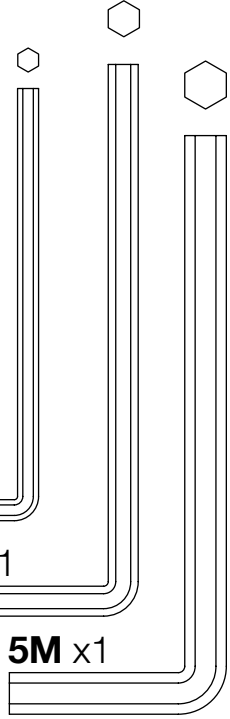
Touchboards

205 Westwood Ave, Long Branch, NJ 07740
Phone: 866-94 BOARDS (26273) / (732)-222-1511
Fax: (732)-222-7088 | E-mail: sales@touchboards.com

3A x1  **3B** x1  **3C** x1  **3E** x3  **3F** x1  **3G** x1 

M x1  **NR** x1  **4A** x4  **4B** x4  **4C** x4 

R x2  **S** x1  **T** x1  **U** x1  **5**  **W** x2 

5A x8  **5B** x5  **5C** x6  **5D** x12  **5E** x6  **5F** x4  **5G** x4  **5H** x4  **5I** x4  **5J** x4  **5K** x1  **5L** x1  **5M** x1 

Note: Please review all WARNING and CAUTION statements before beginning the installation of the Flat Panel Display Cart.

Warning Statements

THE MANUFACTURER DOES NOT WARRANT AGAINST DAMAGE CAUSED BY THE USE OF THIS PRODUCT FOR PURPOSES OTHER THAN THOSE FOR WHICH IT WAS DESIGNED OR DAMAGE CAUSED BY UNAUTHORIZED ATTACHMENTS OR MODIFICATIONS, AND IS NOT RESPONSIBLE FOR ANY DAMAGES, CLAIMS, DEMANDS, SUITS, ACTIONS OR CAUSES OF ACTION OF WHATEVER KIND RESULTING FROM, ARISING OUT OF OR IN ANY MANNER RELATING TO ANY SUCH, ATTACHMENTS OR MODIFICATIONS.



THE FLOOR SHOULD BE CAPABLE OF SUPPORTING A MINIMUM WEIGHT OF 160 LBS. IF NOT, THE FLOOR MUST BE REINFORCED. THE WEIGHT OF THE FLAT PANEL SHOULD BE NO MORE THAN 160 LBS. PROPER INSTALLATION PROCEDURES BY QUALIFIED PERSONNEL AS OUTLINED IN THE INSTALLATIONS INSTRUCTIONS MUST BE ADHERED TO. FAILURE TO DO SO COULD RESULT IN SERIOUS PERSONAL INJURY.

SAFETY MEASURES MUST BE PRACTICED AT ALL TIMES DURING THE INSTALLATION OF THIS PRODUCT. USE PROPER SAFETY GEAR AND TOOLS FOR THE INSTALLATION PROCEDURE TO PREVENT PERSONAL INJURY.

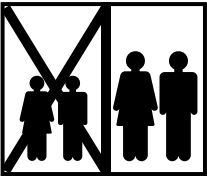
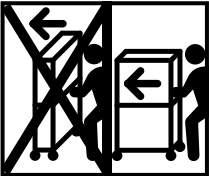
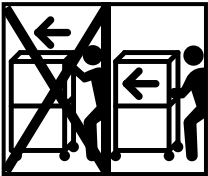
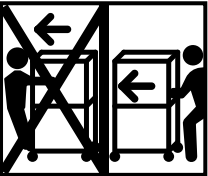
PRIOR TO THE INSTALLATION OF THIS PRODUCT, THE INSTALLATION INSTRUCTIONS SHOULD BE READ AND COMPLETELY UNDERSTOOD. THE INSTALLATION INSTRUCTIONS MUST BE READ TO PREVENT PERSONAL INJURY AND PROPERTY DAMAGE. KEEP THESE INSTALLATION INSTRUCTIONS IN AN EASILY ACCESSIBLE LOCATION FOR FUTURE REFERENCE.

DO NOT INSTALL ON A STRUCTURE THAT IS PRONE TO VIBRATION, MOVEMENT OR CHANCE OF IMPACT. FAILURE TO DO SO COULD RESULT IN DAMAGE TO THE DISPLAY AND/OR DAMAGE TO THE MOUNTING SURFACE.

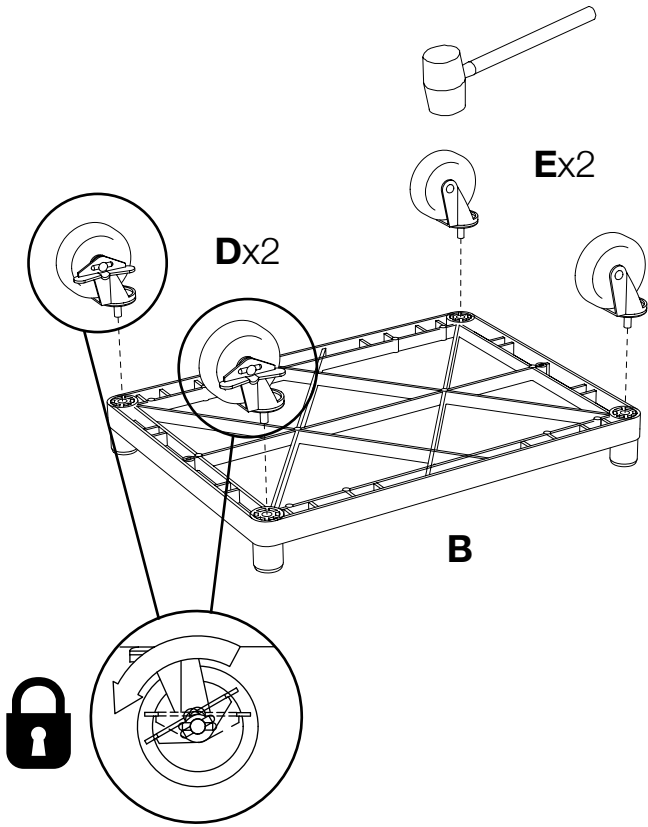
DO NOT INSTALL NEAR HEATER, FIREPLACE, DIRECT SUNLIGHT, AIR CONDITIONING OR ANY OTHER SOURCE OF DIRECT HEAT ENERGY. FAILURE TO DO SO MAY RESULT IN DAMAGE TO THE DISPLAY AND COULD INCREASE THE RISK OF FIRE.


WARNING


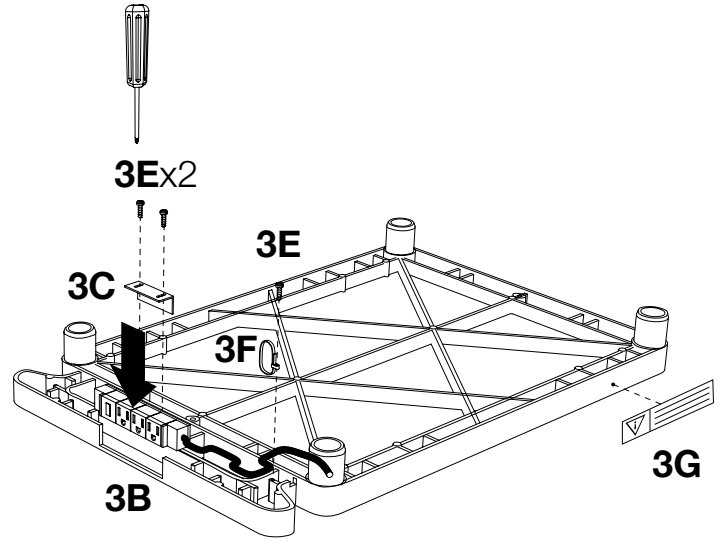
CAN TIP OVER RESULTING IN RISK OF INJURY. DO NOT ALLOW CHILDREN UNDER 16 TO MOVE CART. MOVE CART SLOWLY.

 <p>ONLY ADULTS SHOULD MOVE THIS UNIT</p>	 <p>APPLY MOVING FORCE ON NARROW DIMENSION</p>	 <p>NEVER APPLY FORCE AT TOP - ALWAYS PUSH NEAR MIDDLE</p>	 <p>PUSH, DON'T PULL</p>
--	---	--	---

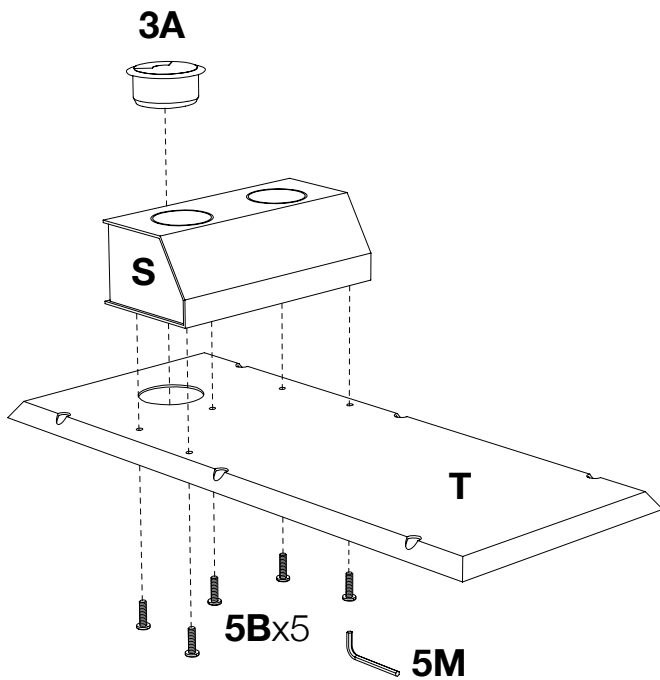
1



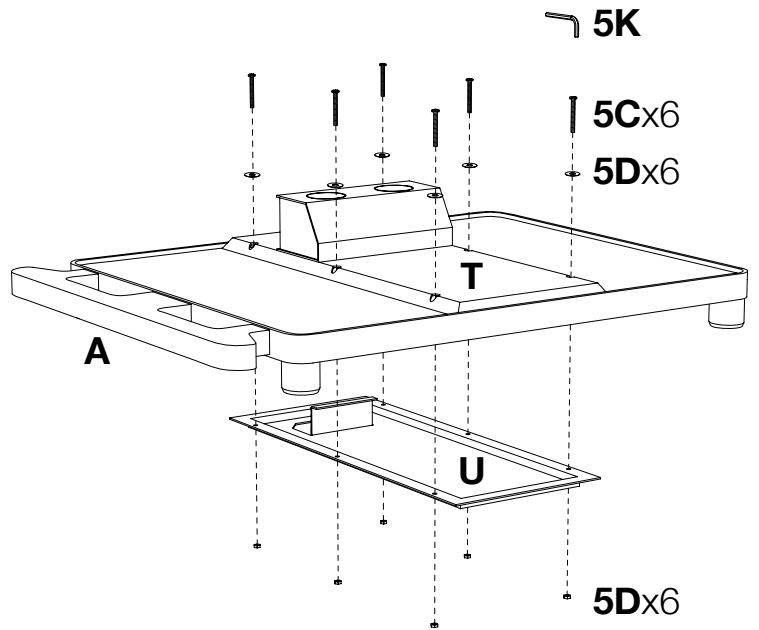
2



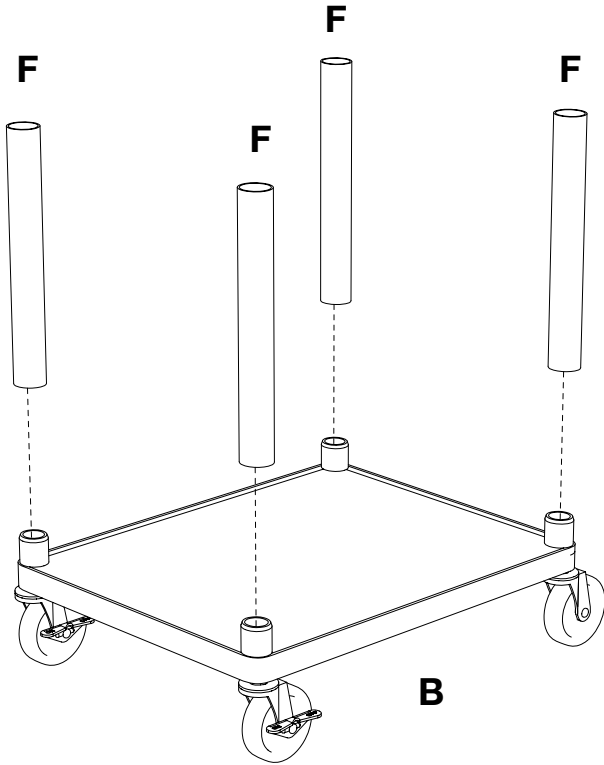
3



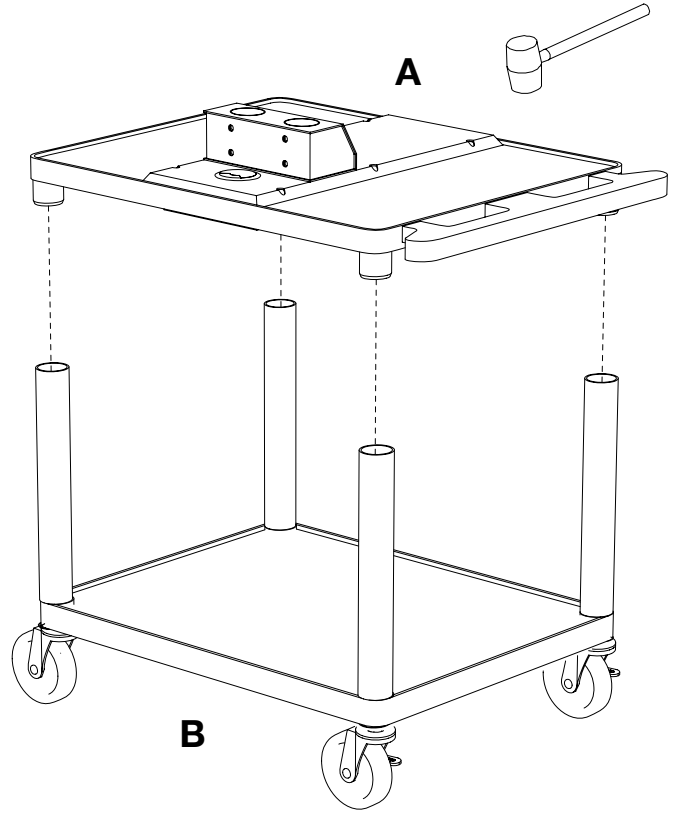
4



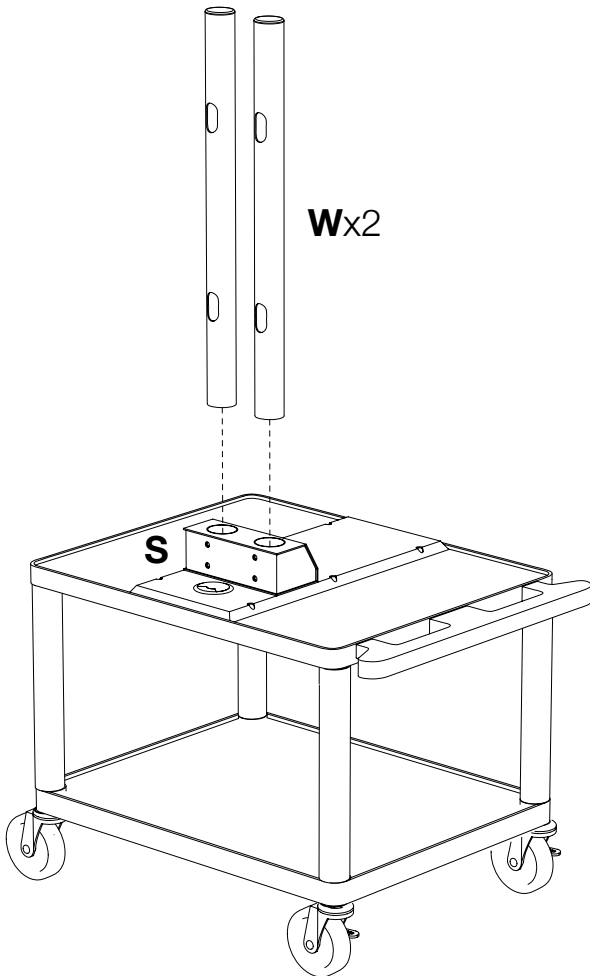
5



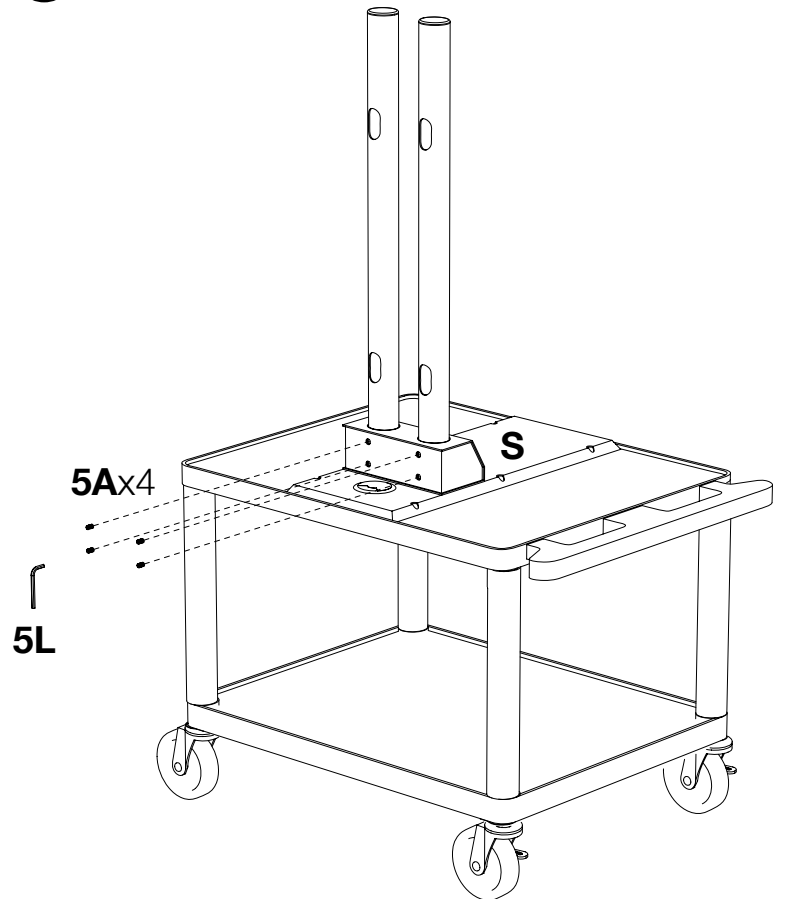
6



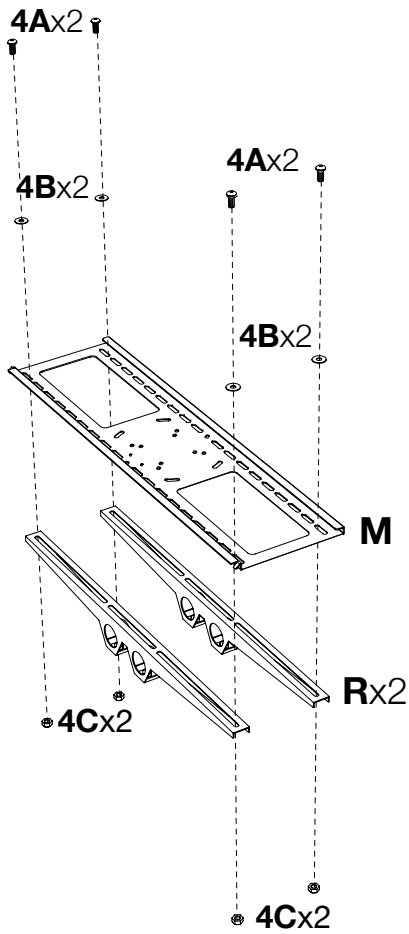
7



8



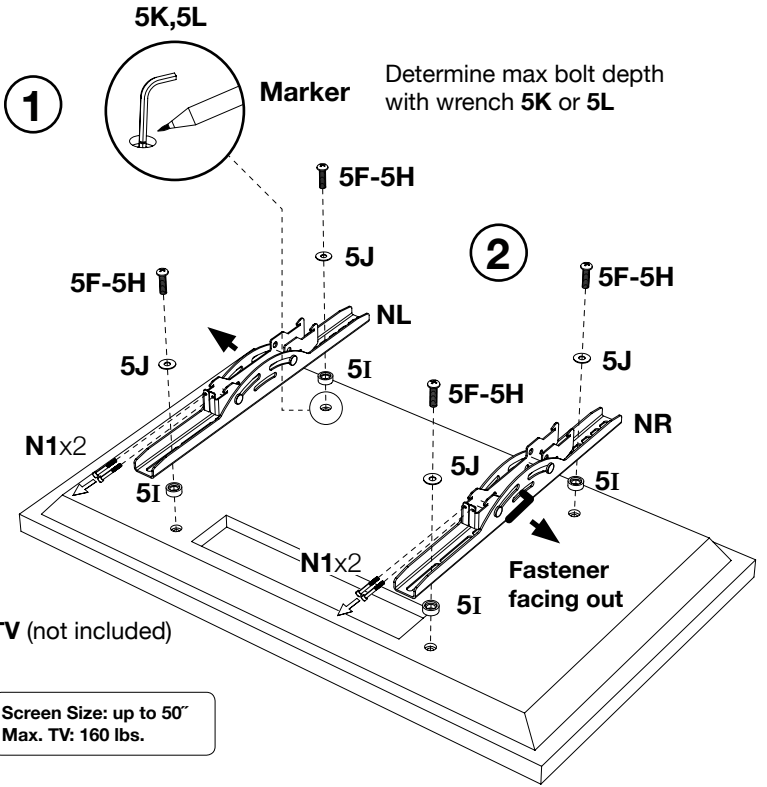
9



10

Carefully lay TV on a soft surface!

07/28/15

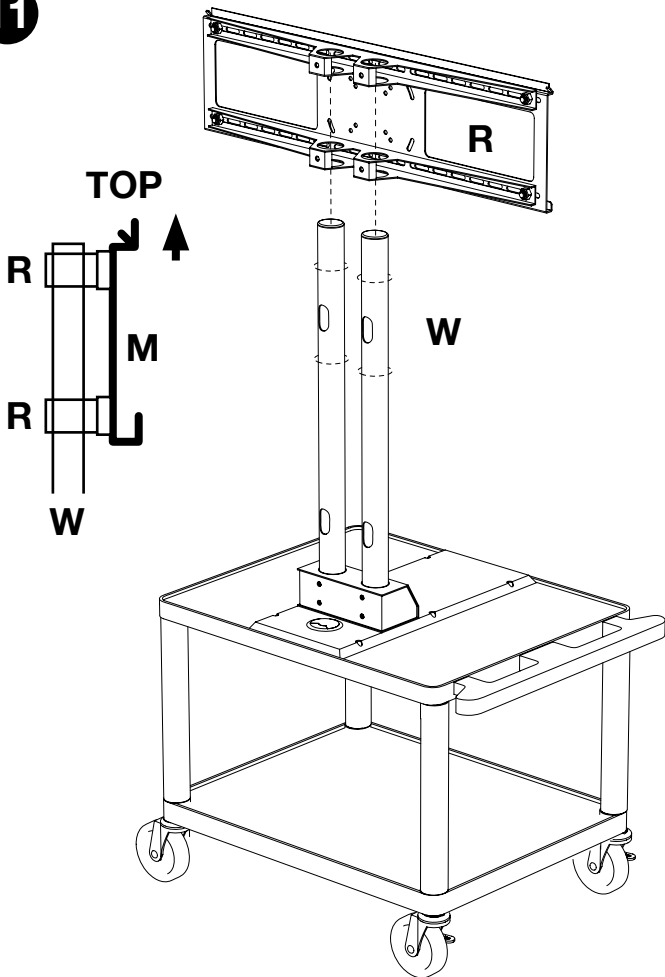


Screen Size: up to 50"
Max. TV: 160 lbs.

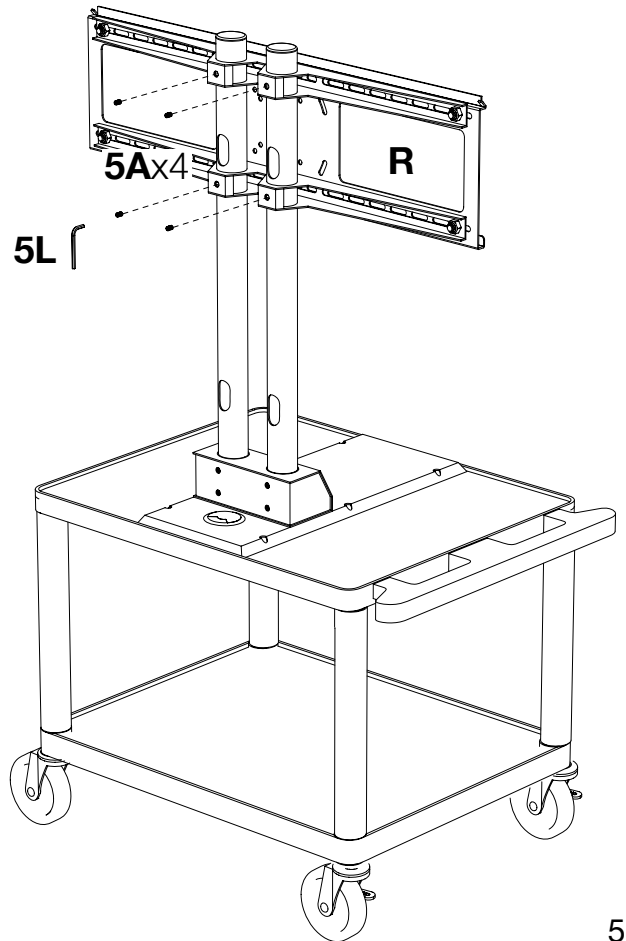


Use proper screw 5F-5H and washer 5J to avoid any damage to TV

11



12

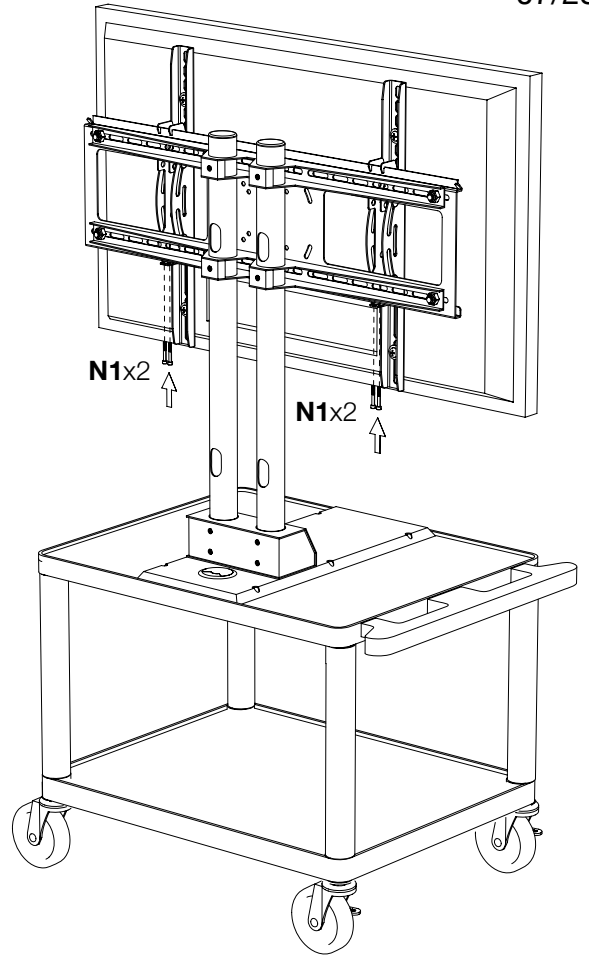
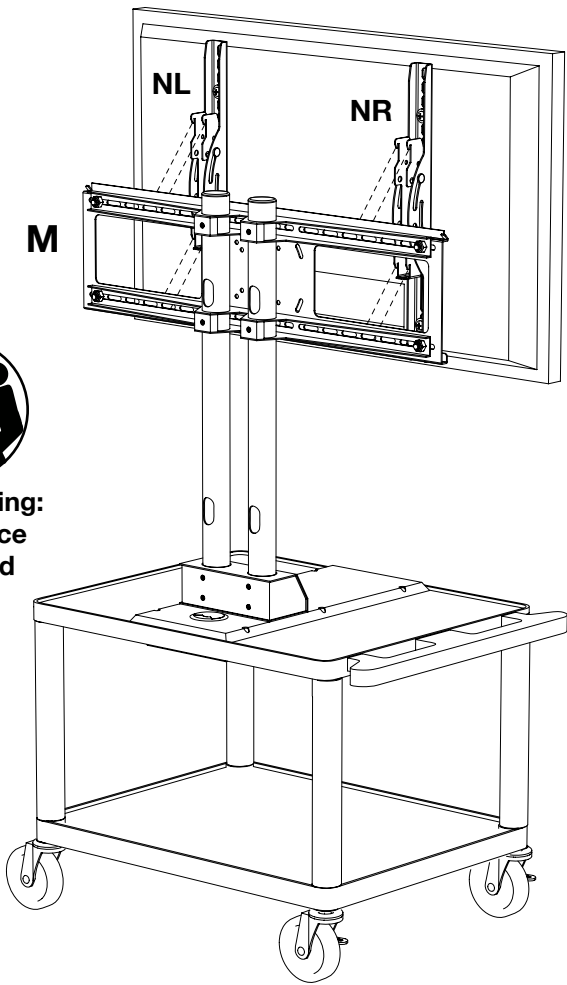


13

14



Heavy Lifting:
Assistance
Required



15

