

www.luxorfurn.com
www.hwilson.com

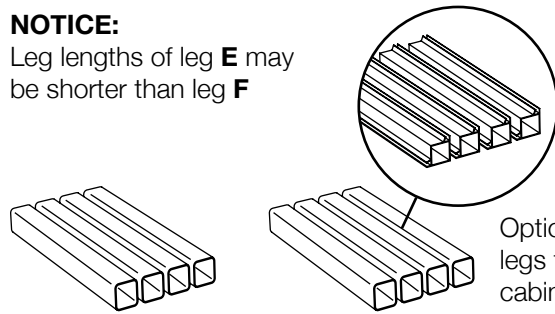
Parts List

Tools Required

- Rubber Mallet

NOTICE:

Leg lengths of leg **E** may be shorter than leg **F**

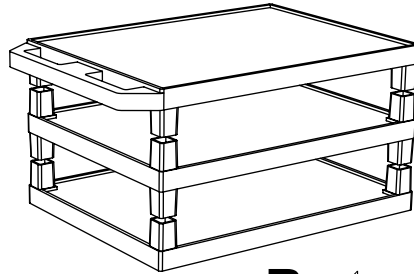


E x4

F x4

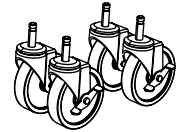
Optional fluted legs for units with cabinet pack

A x1



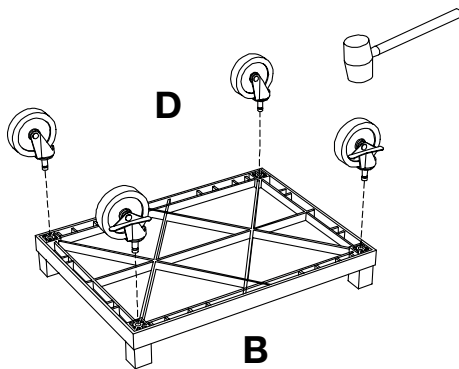
B x1

C x1



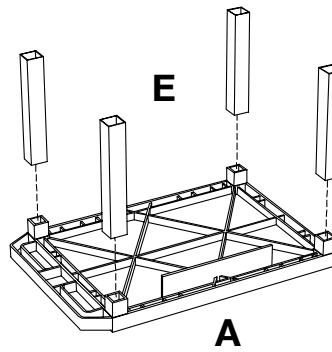
D x4

1

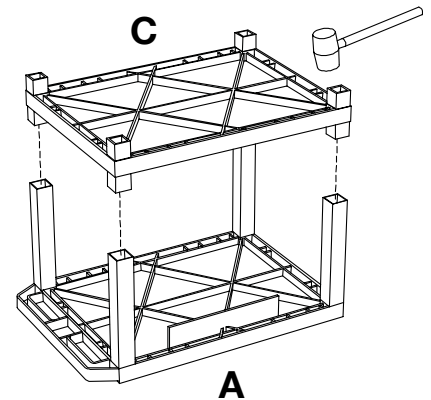


2

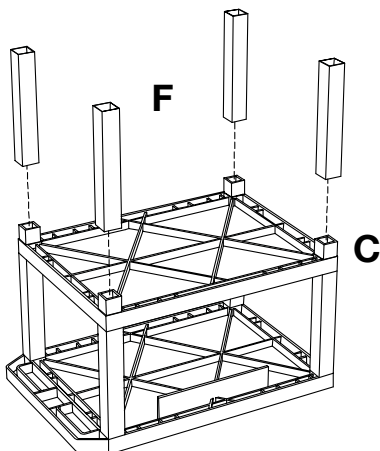
Install optional cabinet pack / pullout shelf / locking drawer assembly after step 1



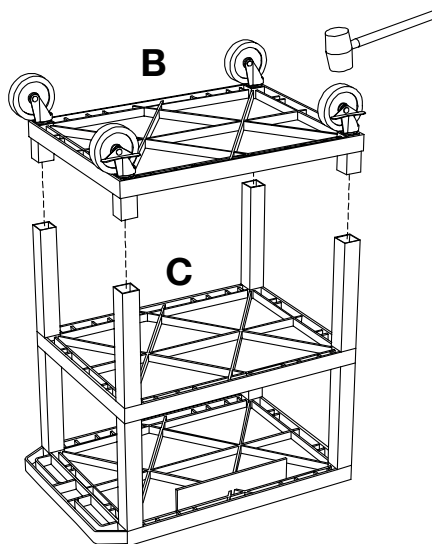
3



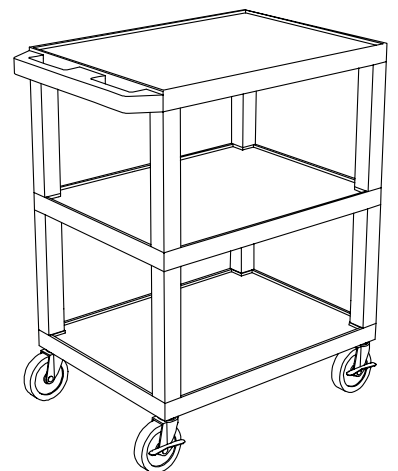
4



5



6



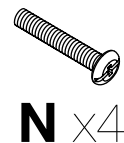
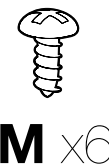
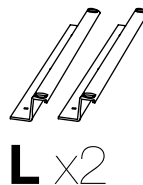
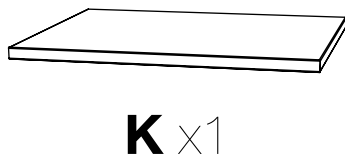
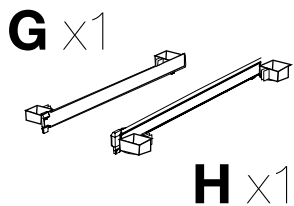
www.luxorfurn.com
www.hwilson.com

Tuffy Cart

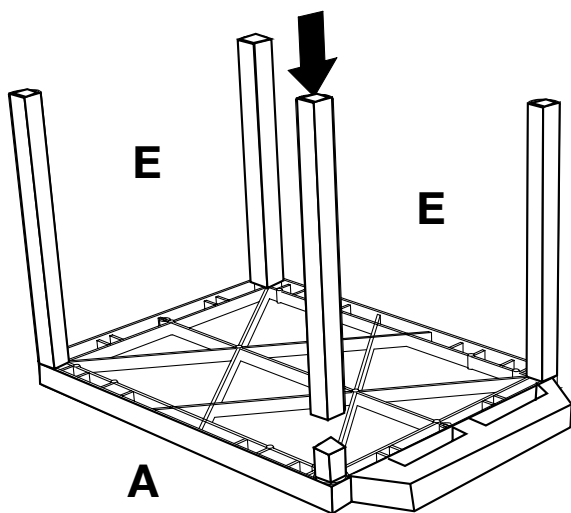
Parts List

Tools Required

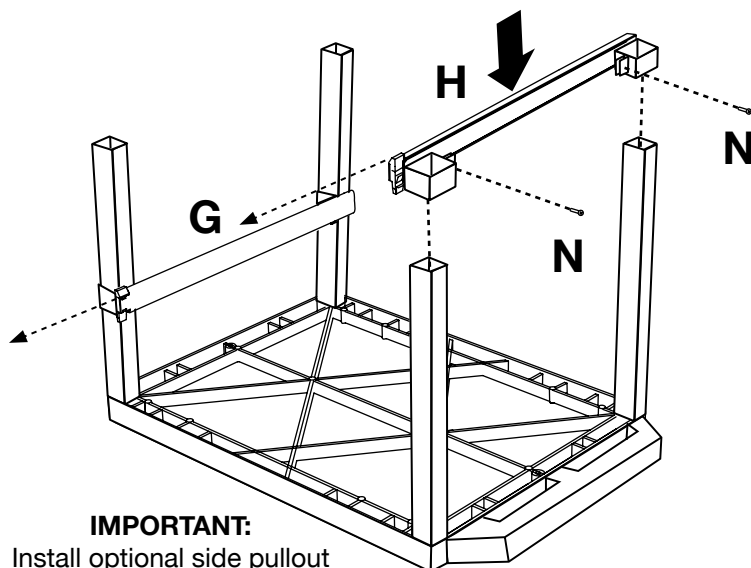
- Phillips Screwdriver



1 Lay the top shelf of your Tuffy cart upside down and install the four legs intended for this shelf.

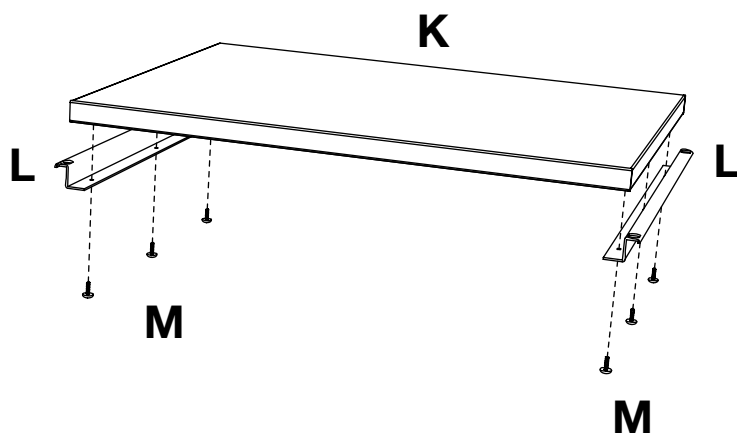


2 Slide and align runner H & G onto the legs and tighten screw N with a screwdriver.

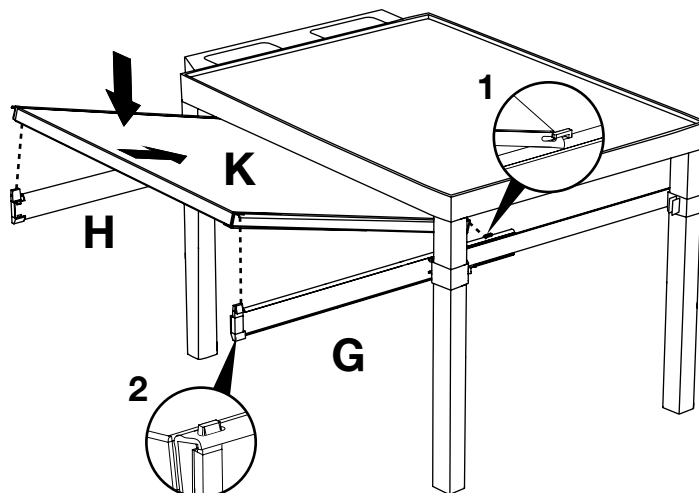


IMPORTANT:
Install optional side pullout shelf **AFTER** step 2

3 Take pullout shelf K and bracket L and screw together into the unfinished surface of shelf K with screw M.



4 Mount pullout shelf K to runner H & G so that the edge of the shelf snaps into the runner hooks.



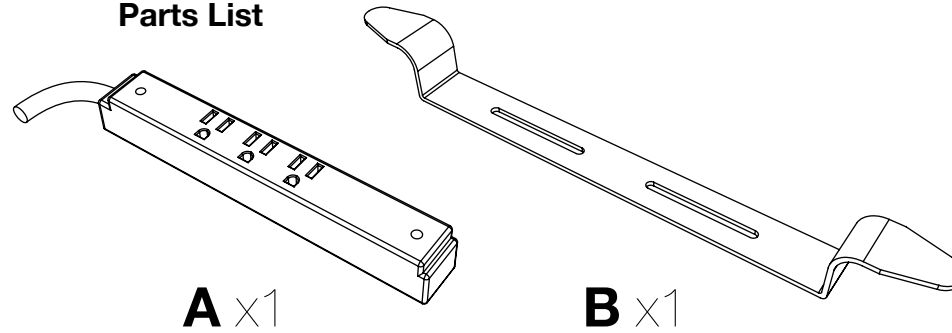
You have now completed your pullout shelf.

www.luxorfurn.com
www.hwilson.com

Electric Assembly Instructions

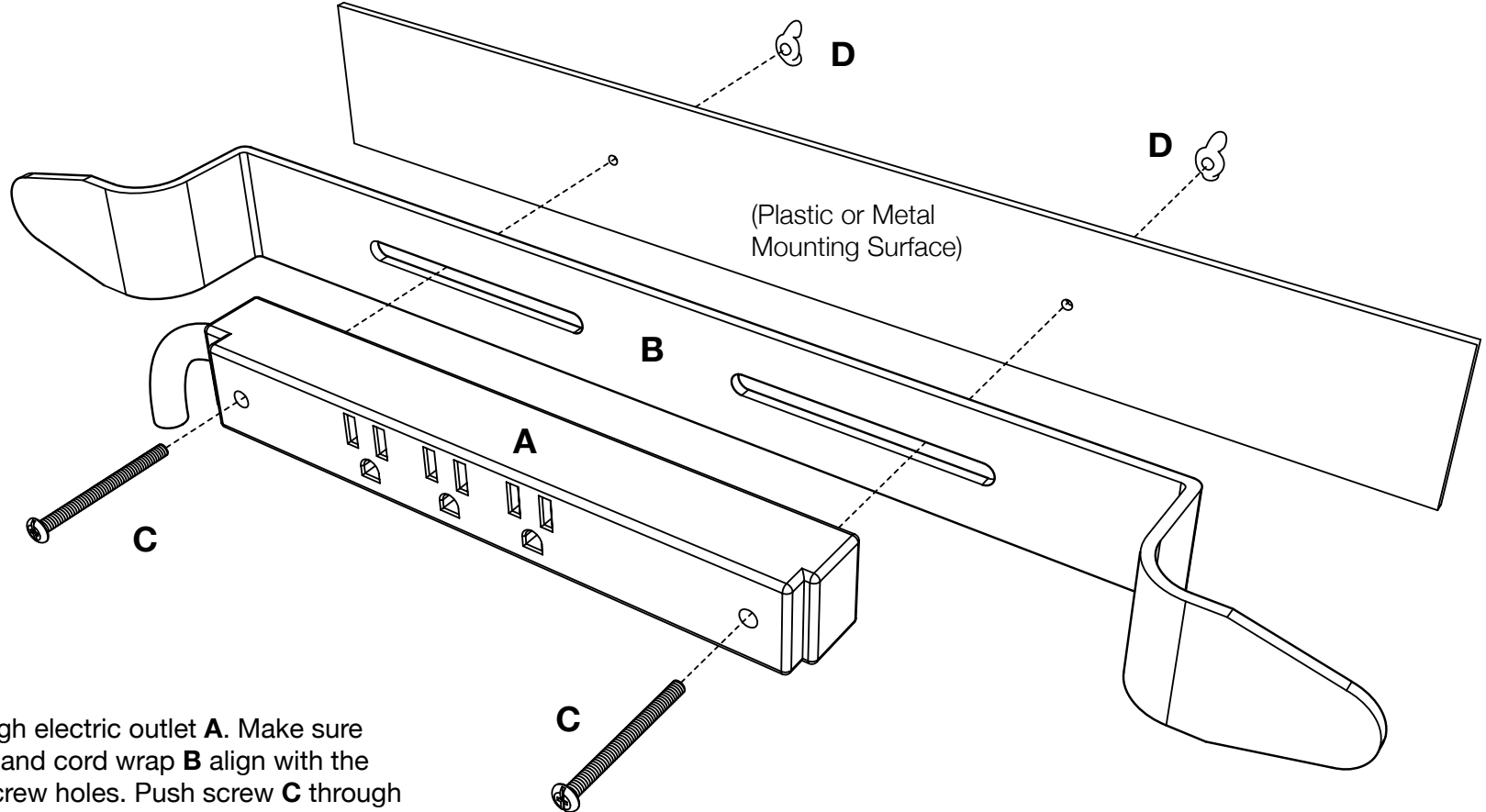
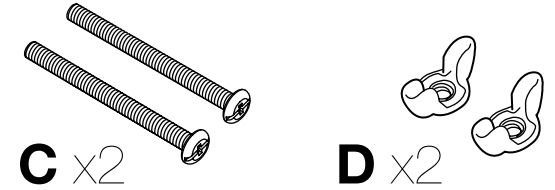
Number of outlets
may vary.

Parts List



Tools Required

- Screwdriver



1

Push screw **C** through electric outlet **A**. Make sure the electric outlet **A** and cord wrap **B** align with the mounting surface screw holes. Push screw **C** through cord wrap **B** and the mounting surface screw holes. Use wing nut **D** and screwdriver to fasten.