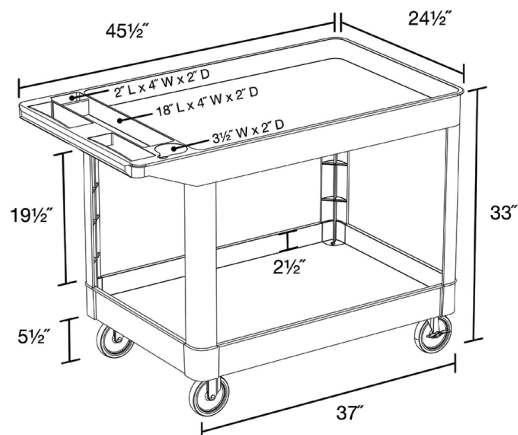


XLC11-B-OUTRIG

24.5" X 45.5" HEAVY DUTY UTILITY TUB CART - TWO SHELVES WITH OUTRIGGER UTILITY CART BINS

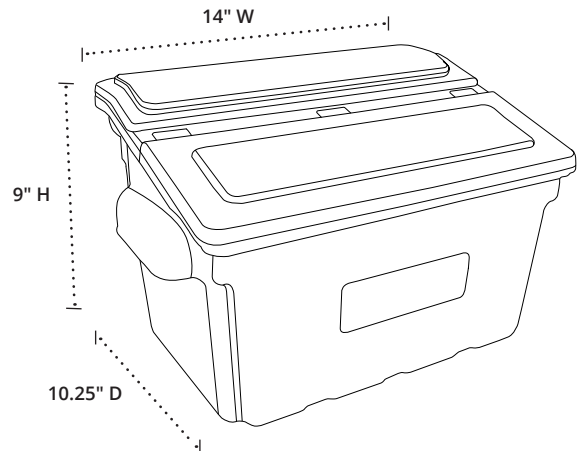
Product Specifications

Item Number	XLC11-B
Material	Injection molded thermoplastic resin - Legs: polyvinyl chloride (PVC) - Shelves: high density polyethylene (HDPE)
Color Options	Black
Cart Dimensions:	24.5" W x 45.5" L x 33" - 36" H (height varies by caster size)
Weight	37.8 lbs.
Shelf Quantity	2
Shelf Dimensions	37" W x 24.5" D
Shelf Depth	2.5"
Distance Between Shelves	22.5"
Casters (4)	4 caster options (non-marking, each with 2 locking brakes): • 5" heavy-duty • 5" semi-pneumatic • 6" semi-pneumatic • 8" fully-pneumatic
Weight Capacity	500 lbs.
Made in USA	Yes
Shipping Method	Ground
Shipping Carton Dims	1 carton: 25" W x 45" D x 8" H
Shipping Weight	46 lbs.
Assembly Required	Yes
Meets ANSI/BIFMA Standards	Yes



Item Number	OUTRIGBIN-2PK
Material	Injection molded polypropylene
Color Options	Black
Overall Dimensions	10.25" D x 14" W x 9" H
Mounting Lip Dimensions	5/8" D x 13" W x 6/8" H
Weight	4.85 lbs.
Interior Capacity	3 gallons
Weight Capacity	25 lbs.
Grab Handles	2 (one on each side)
Includes:	2 bins, 2 lids
Shipping Method	Ground
Shipping Carton Dims	1 carton: 16" W x 11" D x 15" H
Shipping Weight	7 lbs.

To Order, Call Your Sales Representative
or 800-323-4656



LUXOR

INNOVATIVE WORKSPACE PRODUCT SOLUTIONS