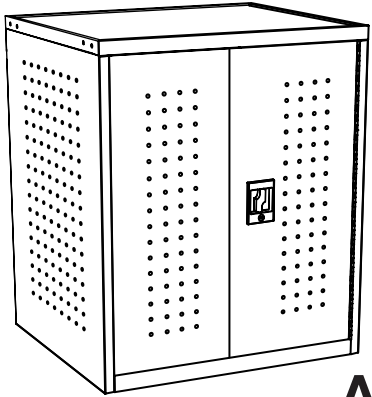
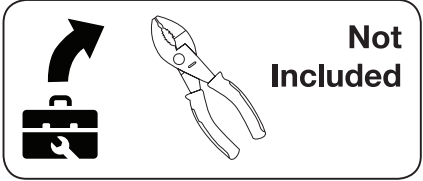
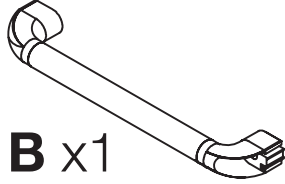


LLTP32-B Assembly Instructions

03/31/17



A x1



B x1



C x2



D x1



E x2



F x1



G x16



H x2



I x2



J x16



K x16



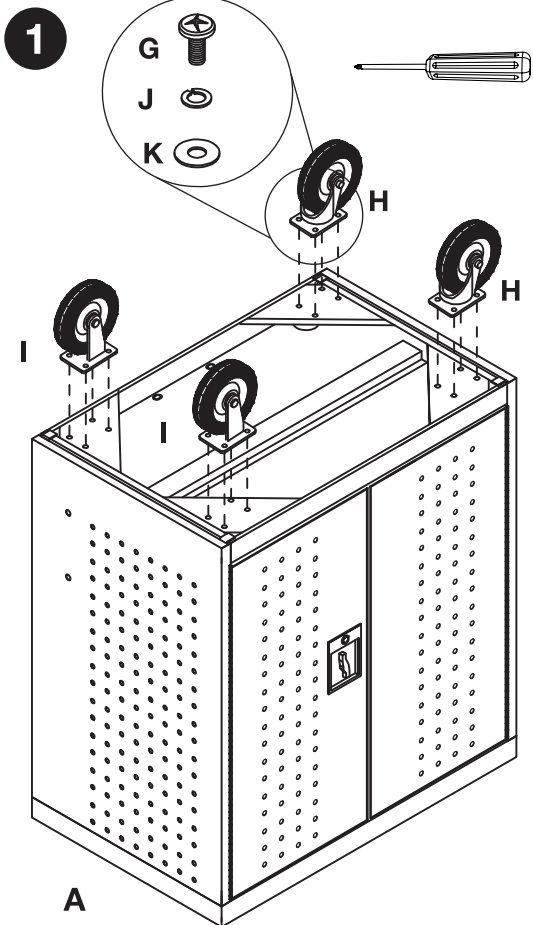
L x1



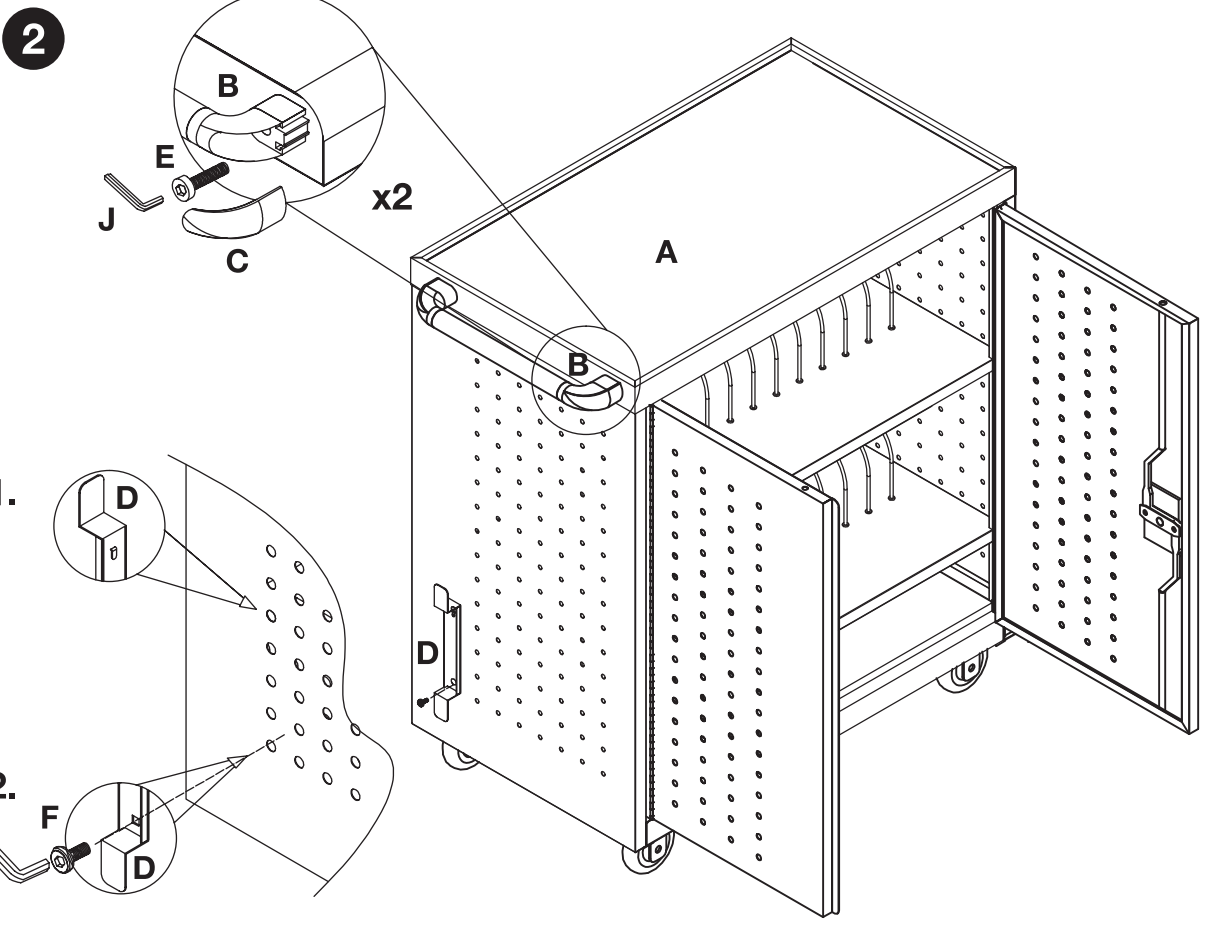
M x1



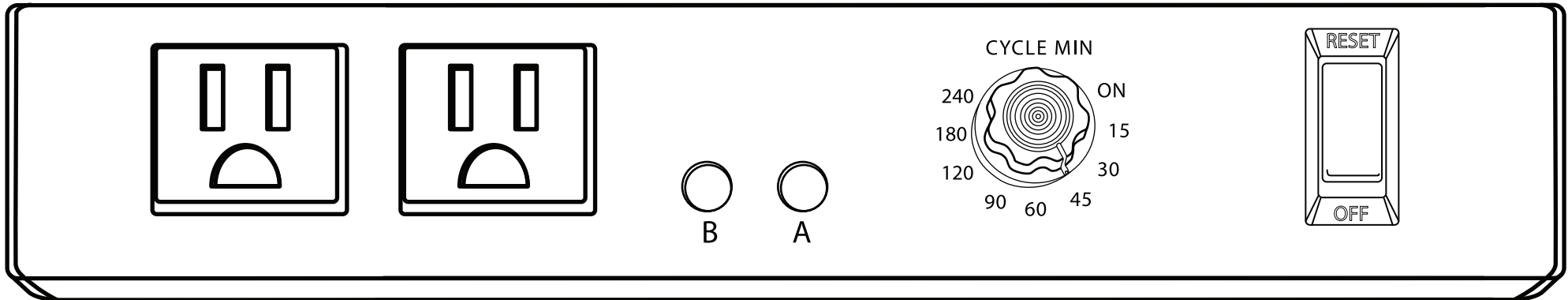
N x2



Heavy Lifting: Assistance Required



Charging Cart Timer Usage Guide



Power Sockets

Indicator
Lights

Timer

Reset
Button

1 Setting the Cycle Timer:

Your Cycle Timer prevents overload by charging devices in stages. For example, if you set the dial to 15 minutes, your cart will first charge side A for 15 minutes and then charge side B for 15 minutes. It will continually alternate back and forth until the devices are removed or the cart is turned off. The side currently being charged is shown by the A and B Indicator Lights.

2 Resetting or Powering Off:

In order to reset your charging cycle, push the Reset button and turn the Cycle Timer to the desired time. Simply press the Off button in order to power down your cart entirely.

NOTE:

This product should only be used as stated in the instructions. Improper use may cause damage to the unit or your devices.