

LUXOR

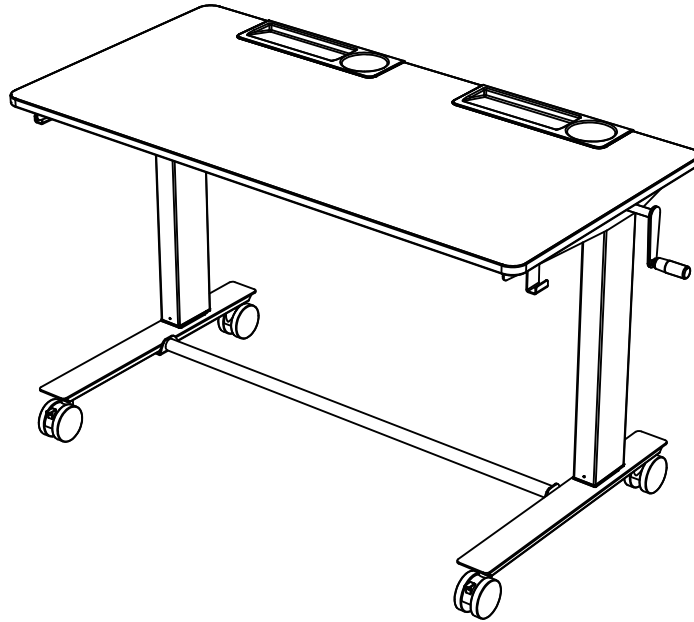
INNOVATIVE WORKSPACE PRODUCT SOLUTIONS

2-STUDENT-C

Questions or concerns? Contact us directly!

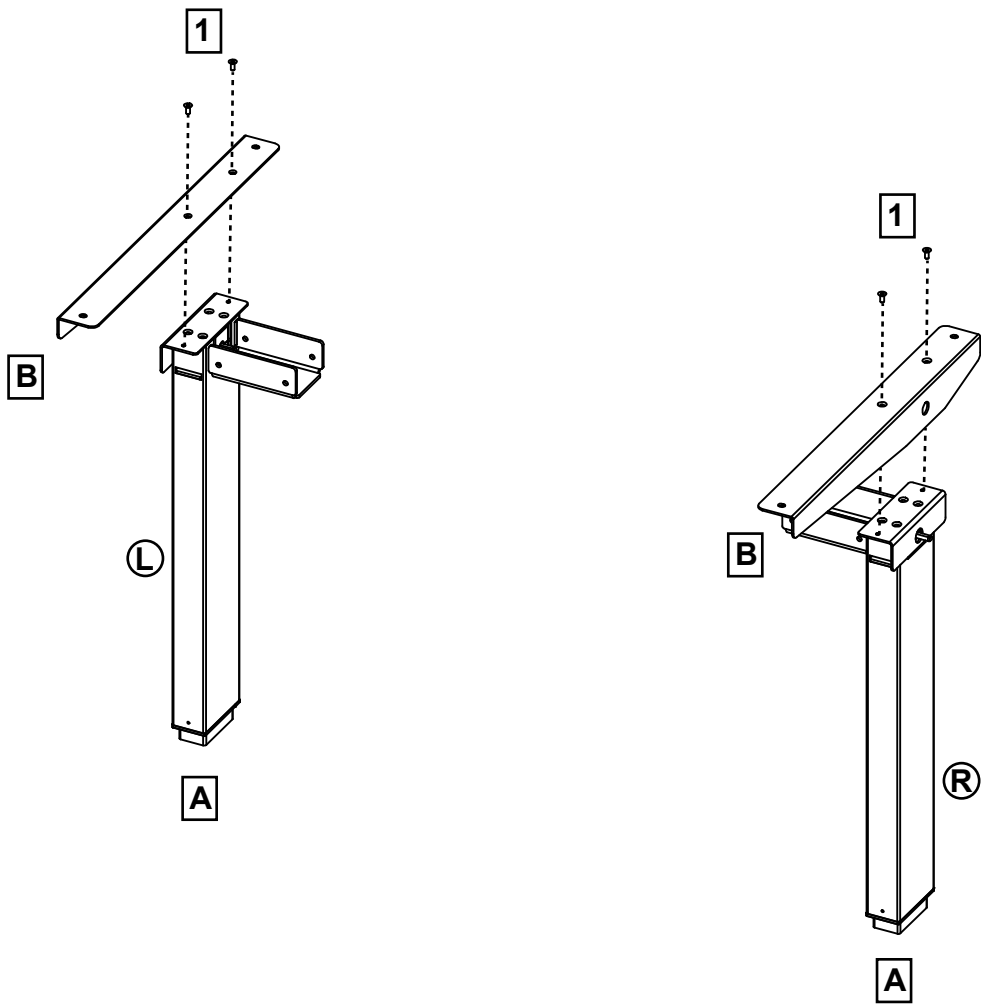
1-800-323-4656

CustomerService@LuxorFurn.com

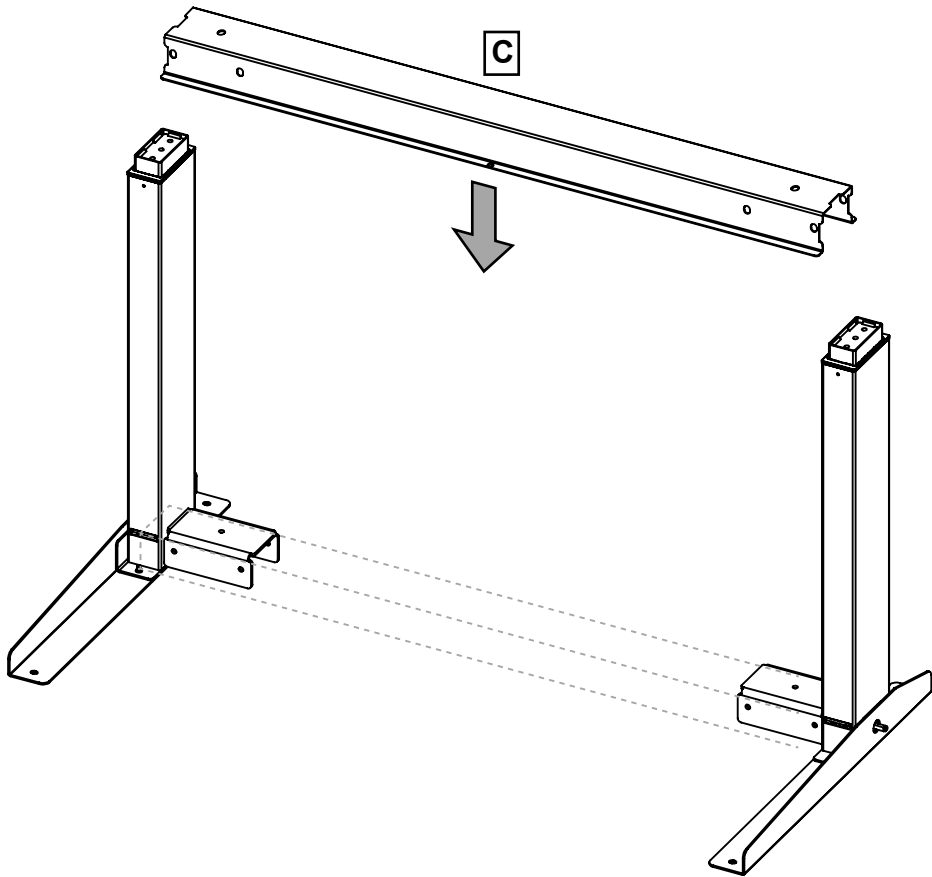


A QTY: 1 of each 	B QTY: 1 of each 	C QTY: 1 	D QTY: 2 	E QTY: 2 of each 				
F QTY: 1 	G QTY: 1 of each 	H QTY: 1 	J QTY: 1 	K QTY: 1 				
L QTY: 2 			<table border="1"> <tbody> <tr> <td data-bbox="1258 1740 1393 1864"> 1 QTY: 4 </td> <td data-bbox="1409 1740 1526 1864"> 2 QTY: 20 </td> </tr> <tr> <td data-bbox="1258 1875 1393 1999"> 3 QTY: 6 </td> <td data-bbox="1409 1875 1526 1999"> 4 QTY: 8 </td> </tr> </tbody> </table>		1 QTY: 4 	2 QTY: 20 	3 QTY: 6 	4 QTY: 8
1 QTY: 4 	2 QTY: 20 							
3 QTY: 6 	4 QTY: 8 							

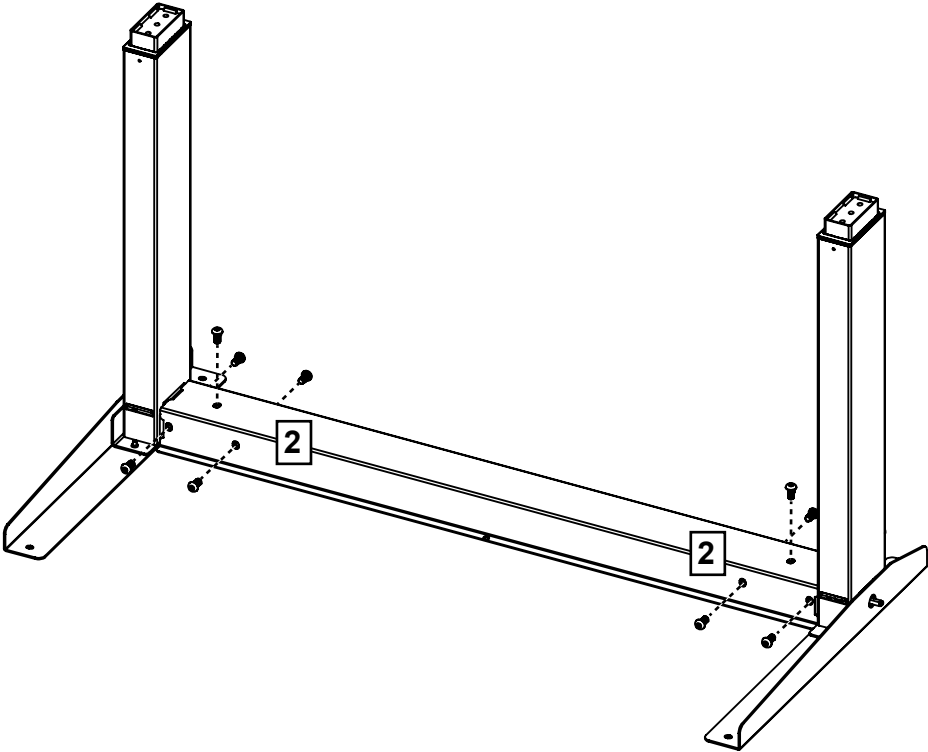
STEP 1



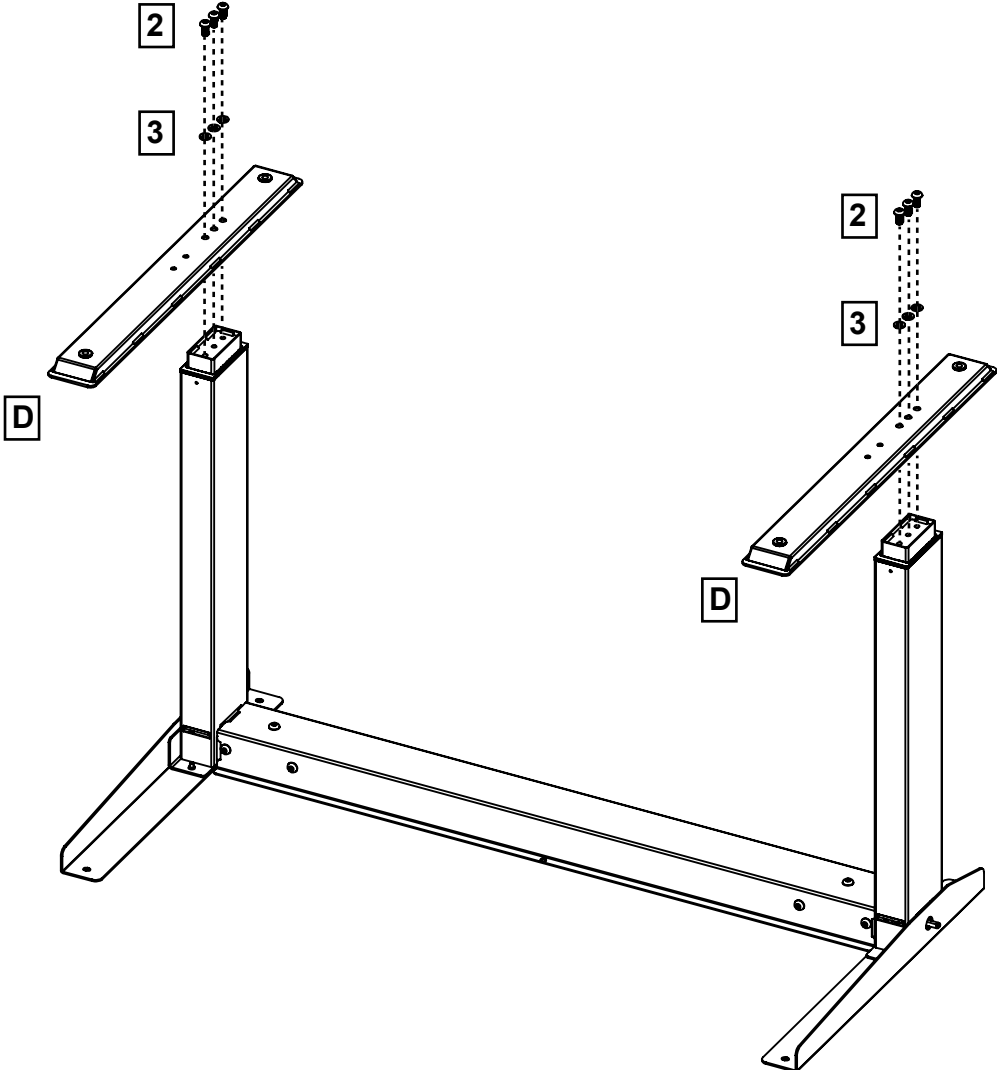
STEP 2



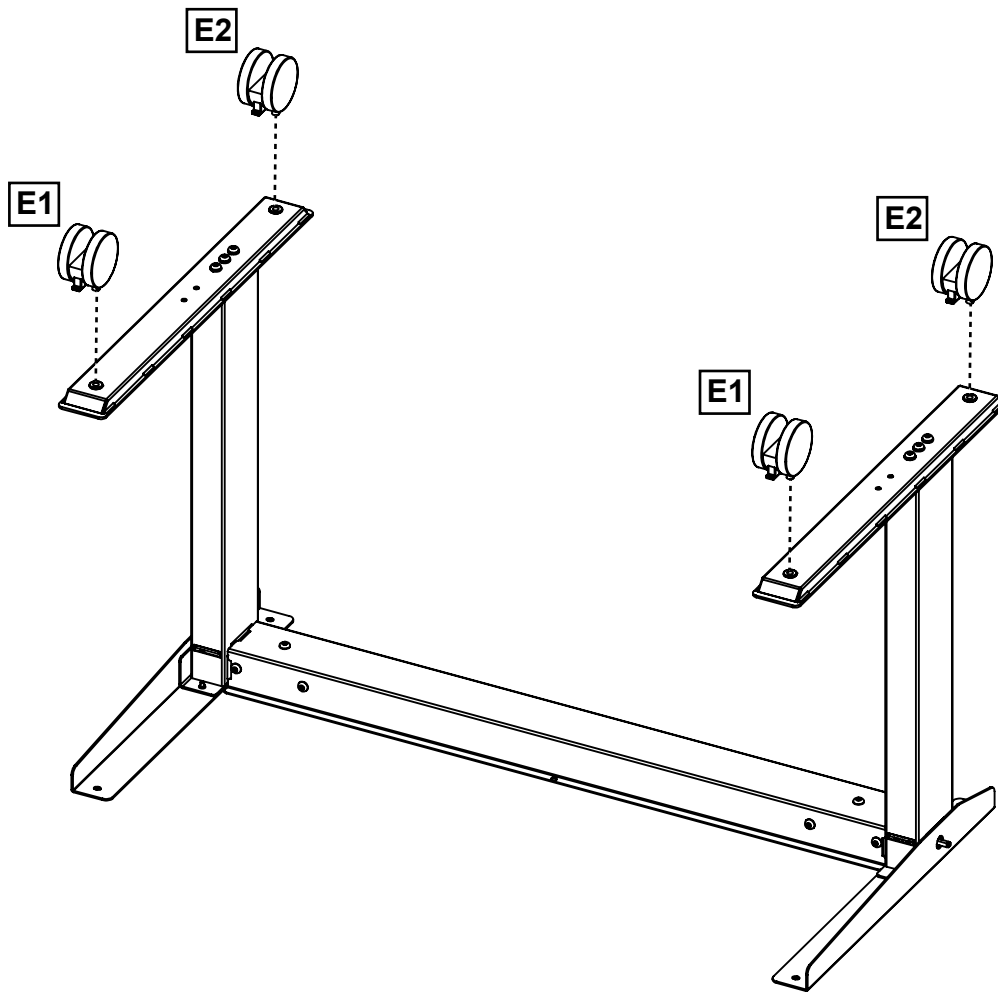
STEP 3



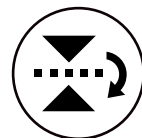
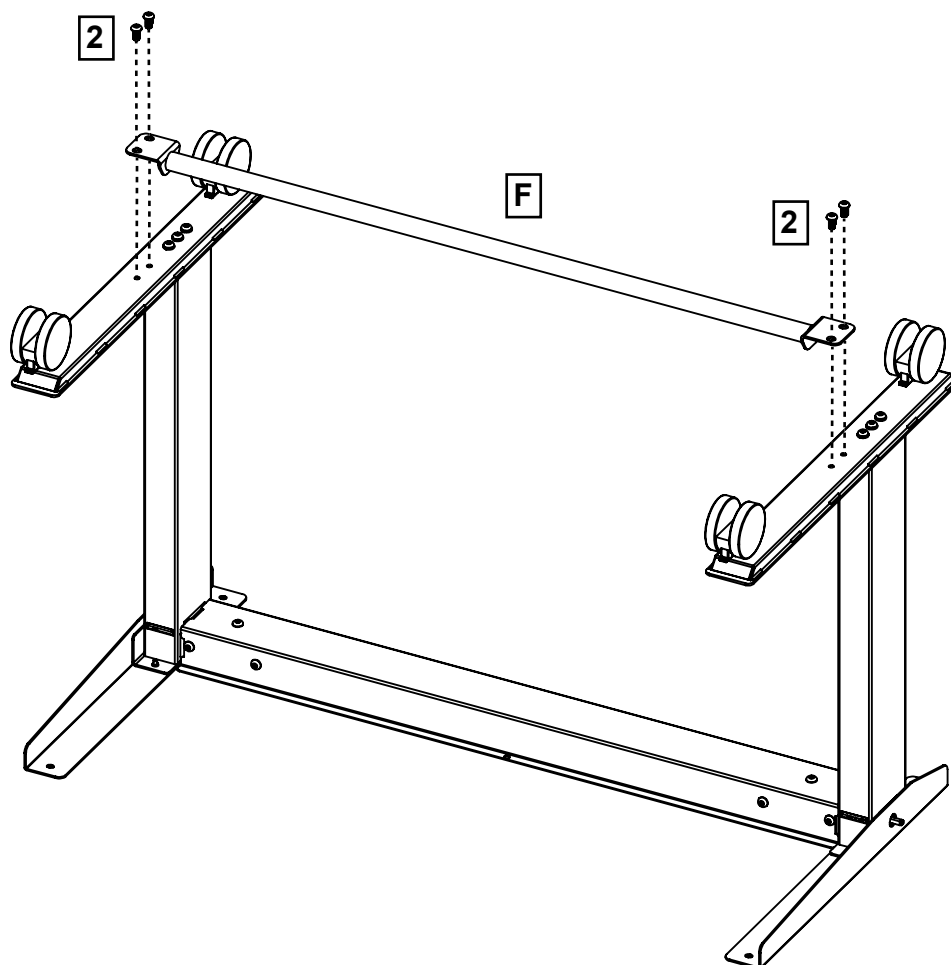
STEP 4



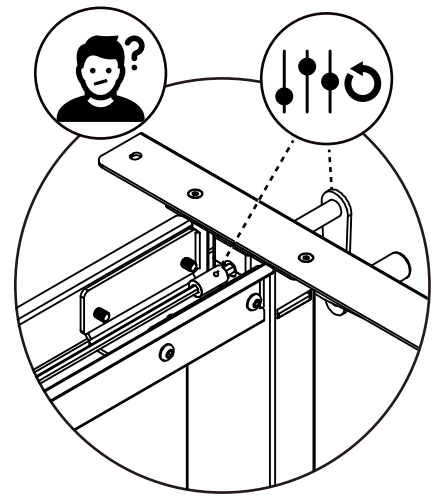
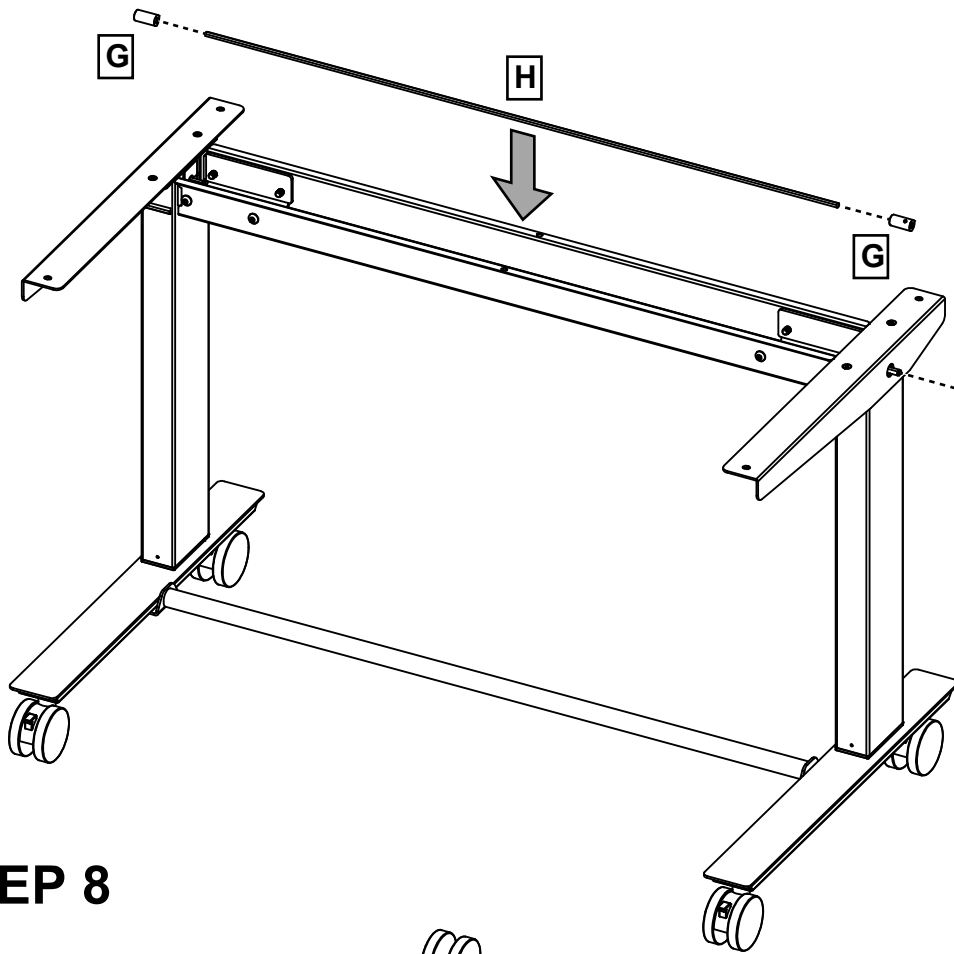
STEP 5



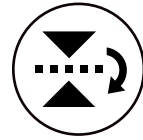
STEP 6



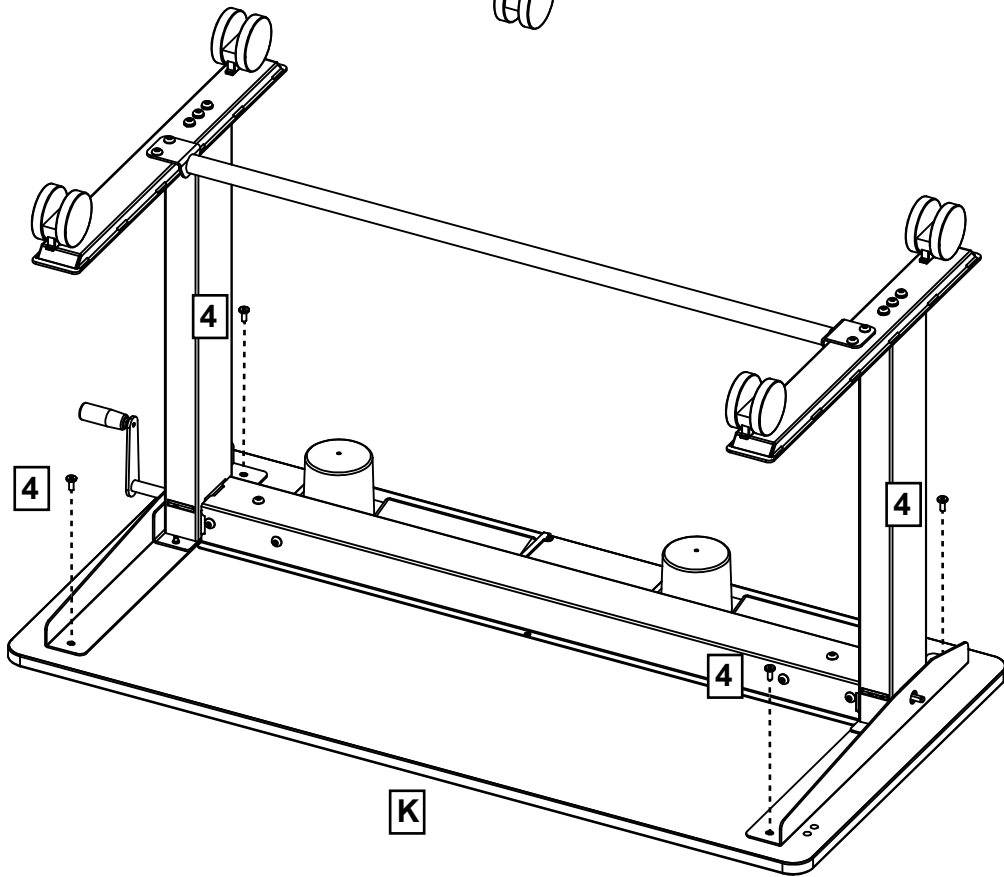
STEP 7



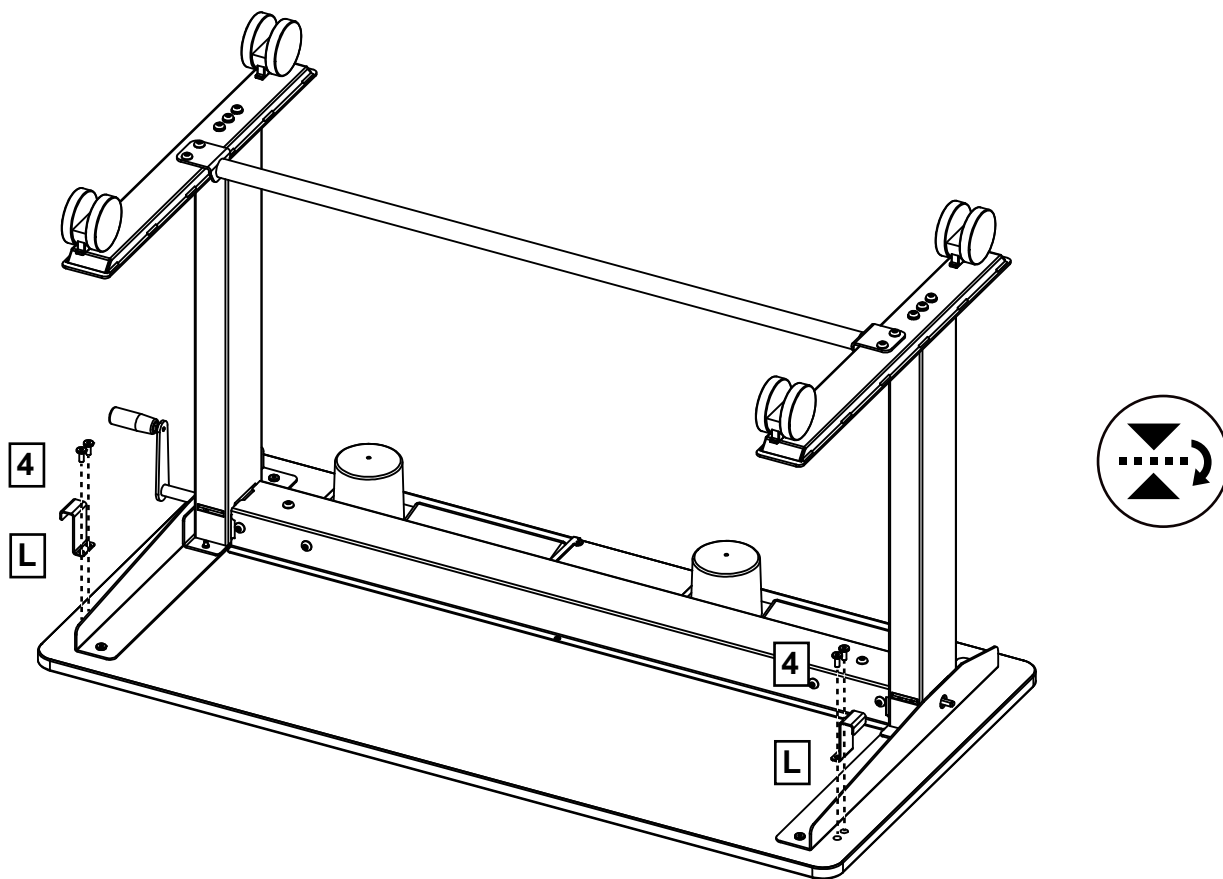
If misaligned, turn crank handle and raise desk as needed to align hexrod with socket



STEP 8



STEP 9



STEP 10

