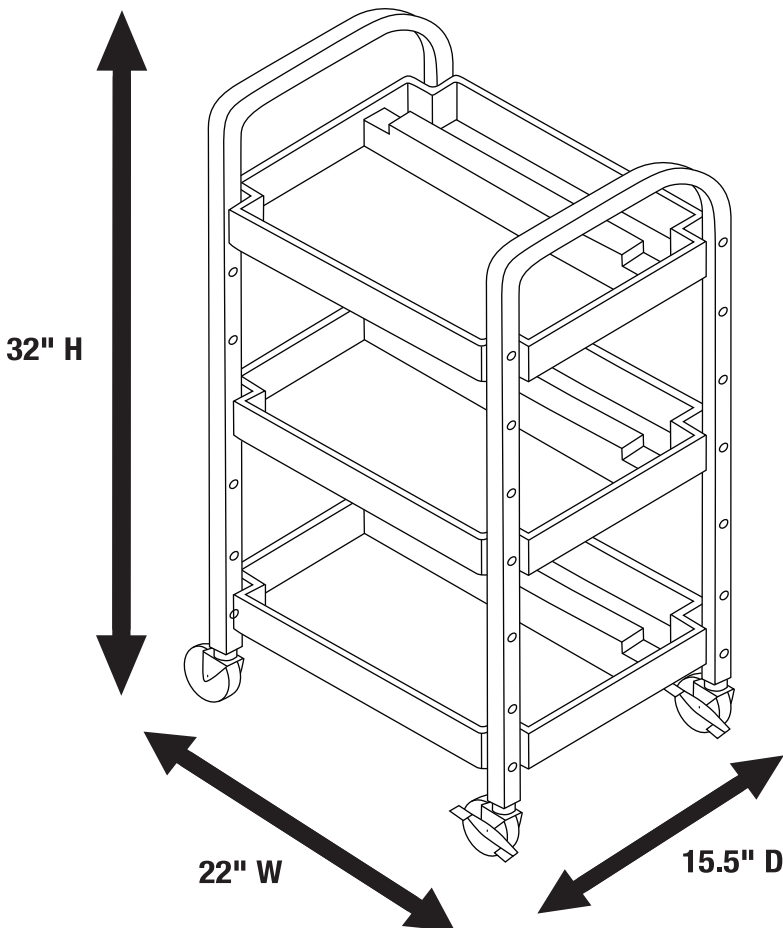


# ATC332 - ADJUSTABLE UTILITY CART - THREE SHELVES

**Product Specifications:**

Item Number	ATC332
Material	Polyethylene plastic (shelves); Painted steel (frame)
Color	Red
Cart Dimensions	22" W x 15.5" D x 32" H
Weight	21 lbs.
Distance Between Shelves	10.5"
Height Adjustment Increments	3.5"
Casters (4)	3" heavy-duty; two with locking brakes
Weight Capacity	33 lbs./shelf; 99 lbs. total (evenly distributed)
Shipping Method	Ground
Shipping Carton Dims	17" W x 37" D x 10" H
Shipping Weight	23 lbs.
Assembly Required	Yes



To Order, Call Your  
Sales Representative  
or 800-323-4656