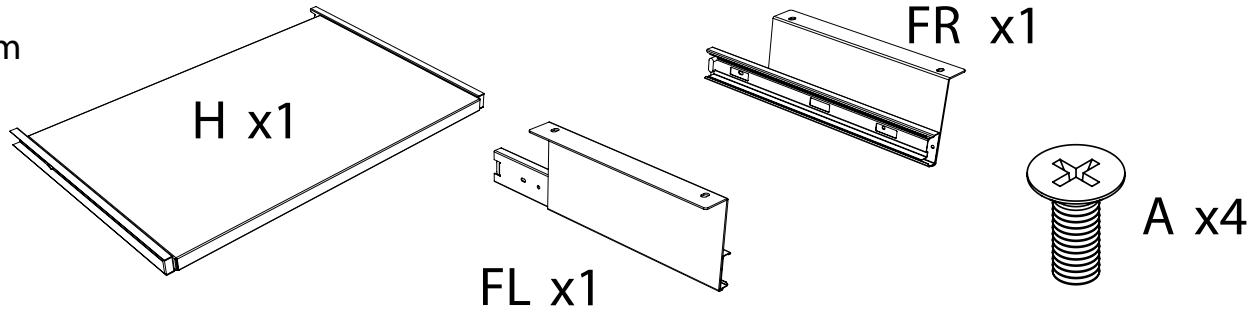


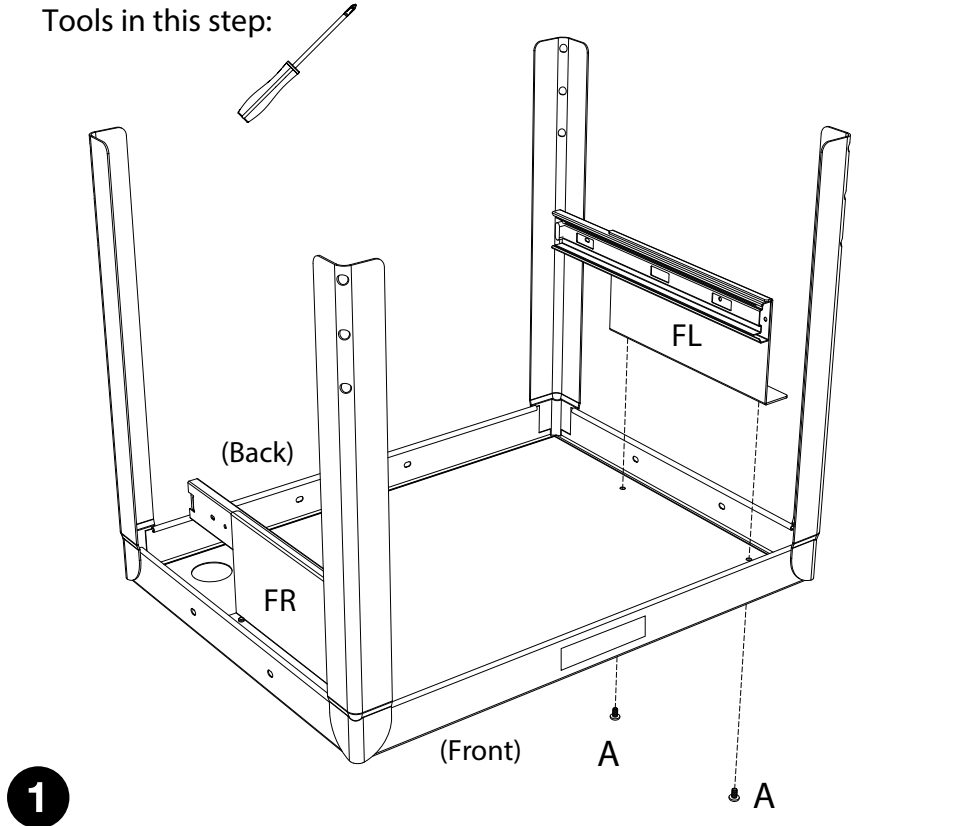
Parts List



Tools Required

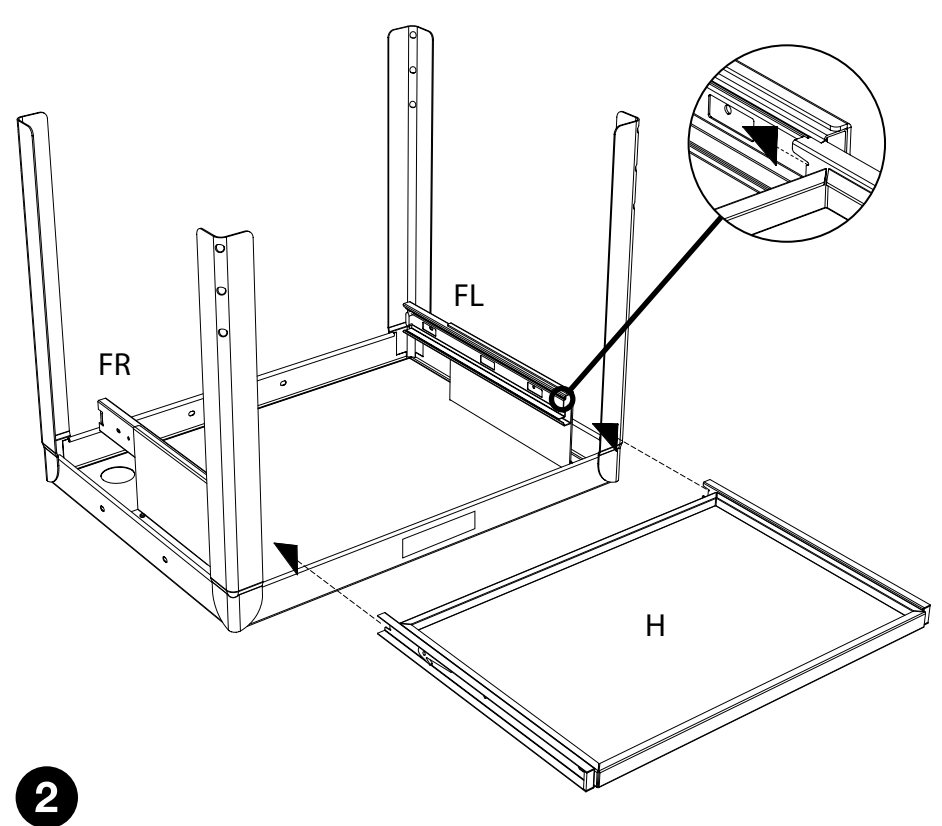
- Screwdriver

Tools in this step:



1

Take top shelf of metal cart and lay on side. Collect parts: FL, FR and A. Align brackets with screw holes on top of shelf. Insert screw A and tighten with screwdriver. Do not fully tighten until shelf is attached.



2

Collect part: H. Align the pullout shelf H runner so that the runner snaps into place into the FL & FR brackets. Pull the shelf out to make sure it is fully seated. Tighten screws A. Pullout keyboard shelf assembly is now complete.

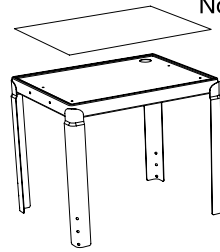
LUXOR

INNOVATIVE WORKSPACE PRODUCT SOLUTIONS

www.luxorfurn.com

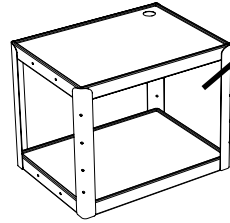
Adjustable Height Metal Cart Instructions

Parts List

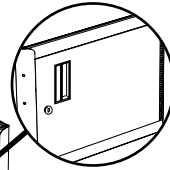


A x1

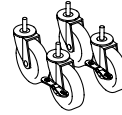
Non-slip mat



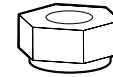
B x1



Cabinet comes pre-assembled on units that include a cabinet.



C x4

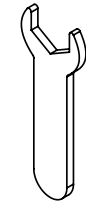


D x4

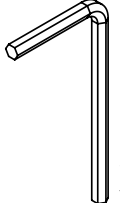
E x4

Tools Required

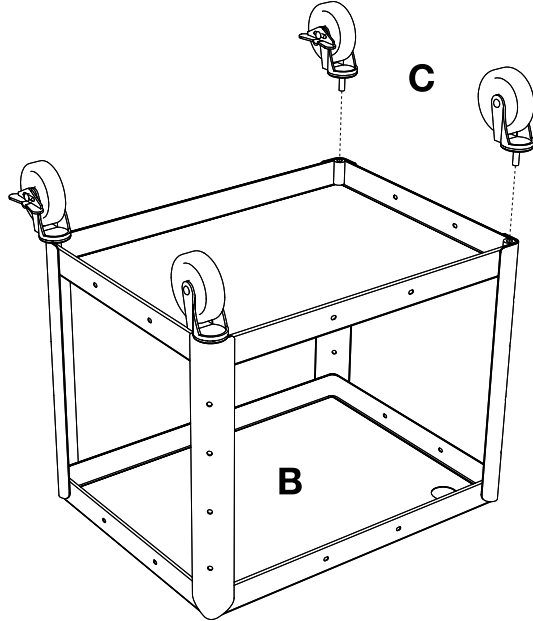
- Rubber Mallet



x1

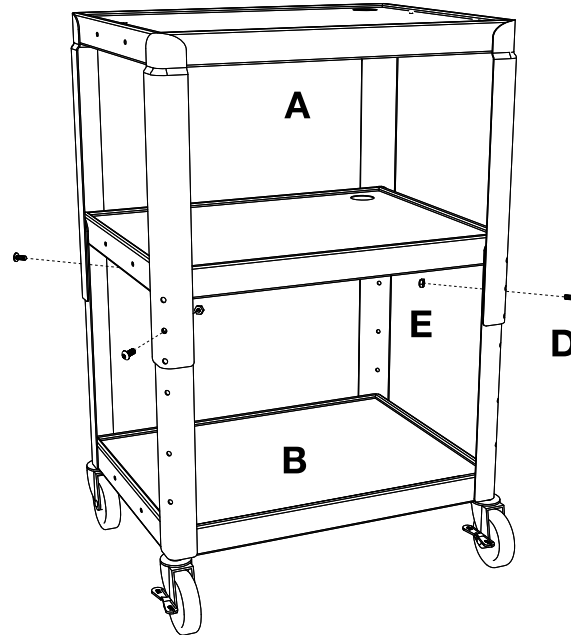


x1



1

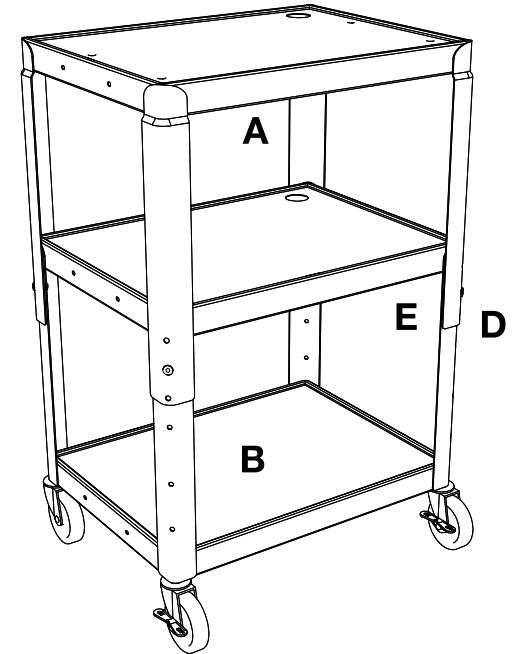
Position the bottom shelf **B** so that the caster holes are facing up. Insert caster **C** into the caster holes on the bottom of shelf **B**. Use a mallet to set the casters properly.



2

Flip bottom shelf **B** so that it is on its side. Set top shelf **A** so that it overlaps bottom shelf **B**. Align the screw holes so that the top shelf **A** is at the desired height.

Tools in this step:



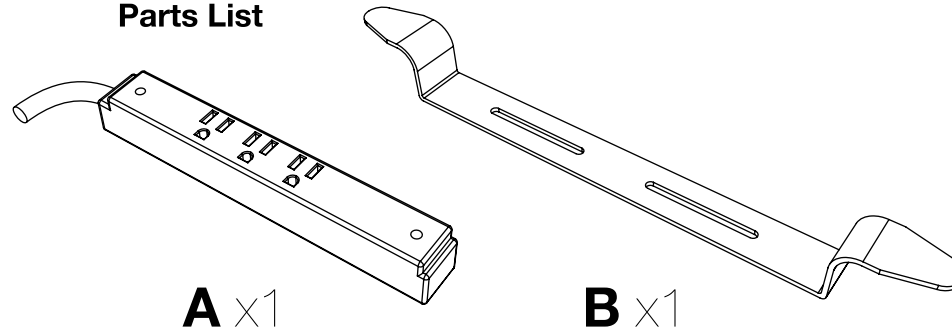
3

Insert screw **D** through the aligned screw hole of **A** and **B** and fasten nut **E** with wrench and allen wrench. Place Non-slip mat on desired shelf. The cart is now complete.

Electric Assembly Instructions

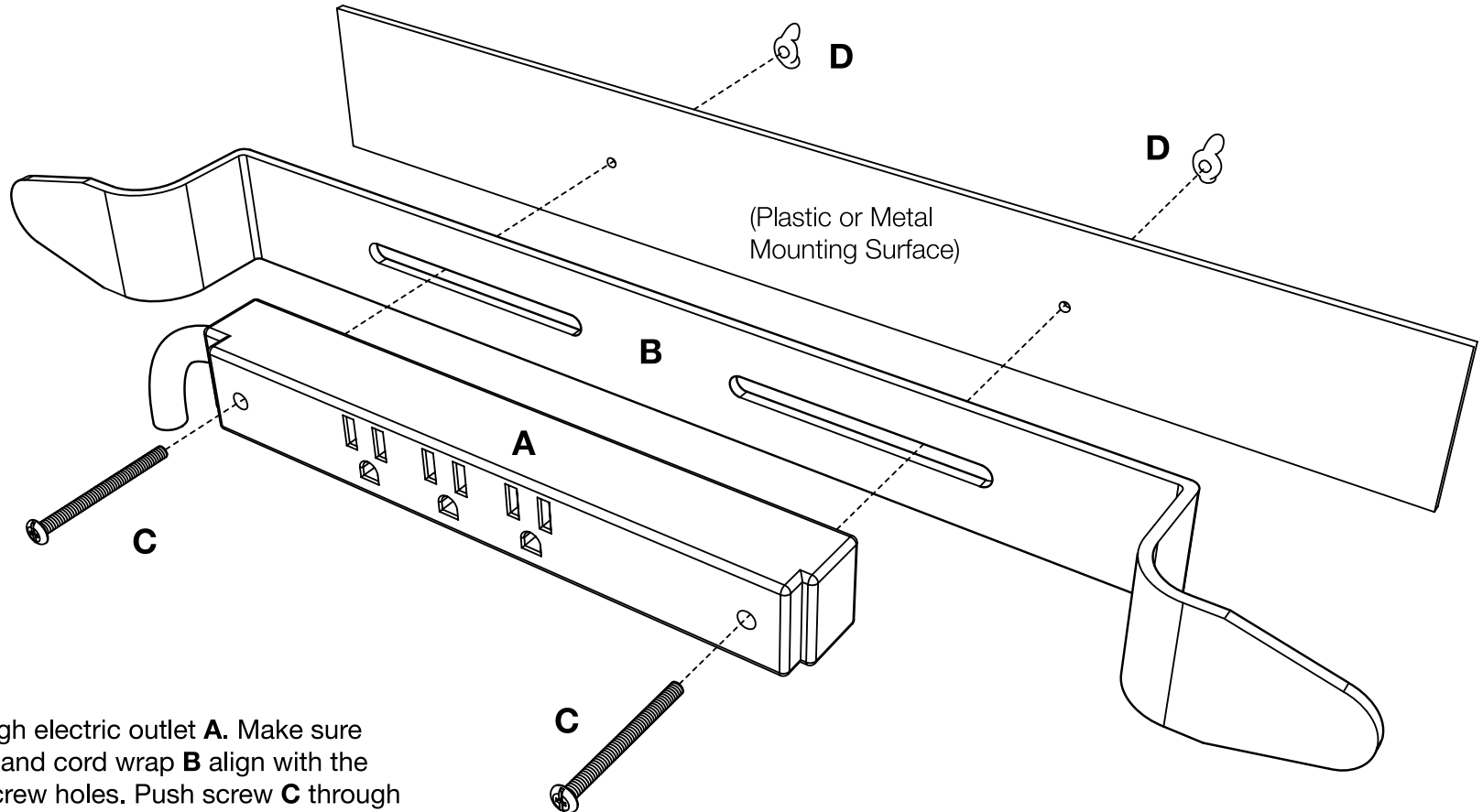
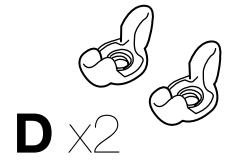
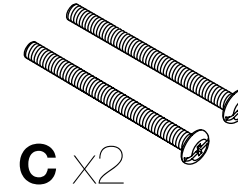
Number of outlets may vary.

Parts List



Tools Required

- Screwdriver



1

Push screw **C** through electric outlet **A**. Make sure the electric outlet **A** and cord wrap **B** align with the mounting surface screw holes. Push screw **C** through cord wrap **B** and the mounting surface screw holes. Use wing nut **D** and screwdriver to fasten.