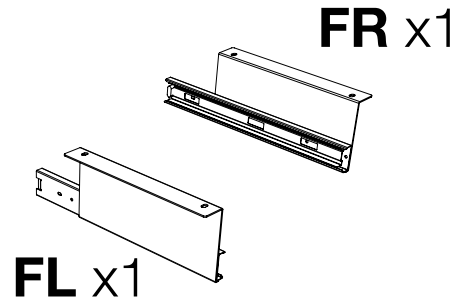
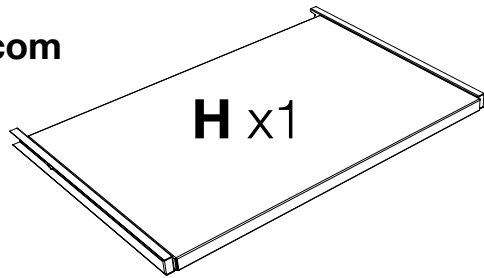


## Pullout Keyboard Shelf Instructions

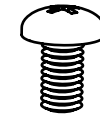
for Metal Carts

### Parts List

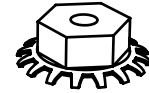


### Tools Required

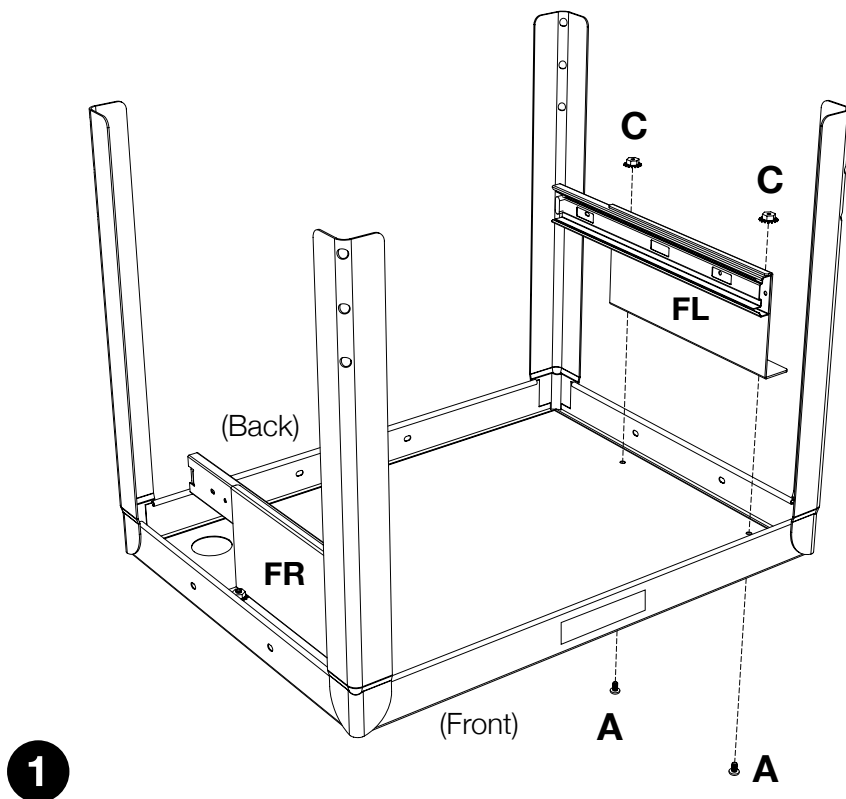
- Phillips Screwdriver
- Pliers or Adjustable Wrench



**A x4**

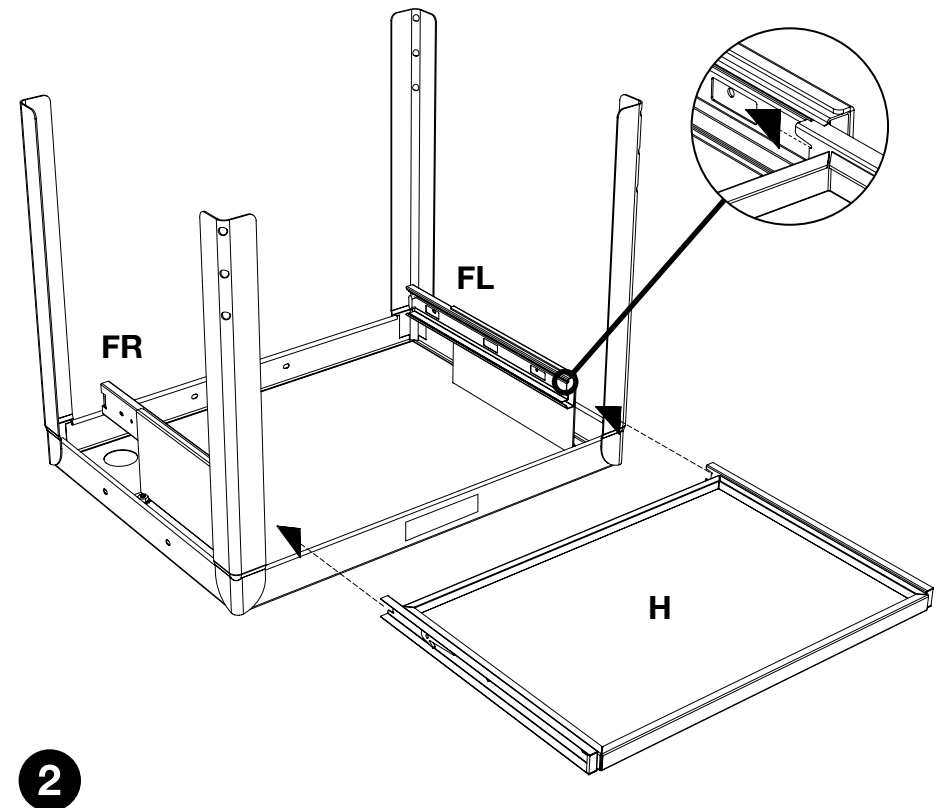


**C x4**



**1**

Take the top shelf of your metal cart and lay it flat. Collect parts: **FL**, **FR**, **A** & **C**. Push Screw **A** through the hole at the top of the shelf. Lay bracket **FL** & **FR** on top of screw **A**. Take nut **C** and fasten with a screwdriver and pliers, do not tighten fully until shelf is attached.

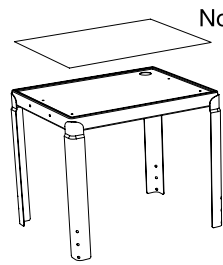


**2**

Collect parts: **H**. Align the pullout shelf **H** runner so that the runner snaps into place into the **FL** & **FR** brackets. Pull the shelf out to make sure it is fully seated. Tighten screws **A** and nut **C**. Pullout keyboard shelf assembly is now complete.

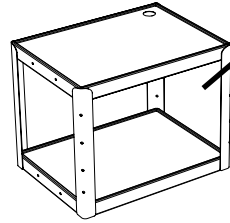
## Adjustable Height Metal Cart Instructions

### Parts List

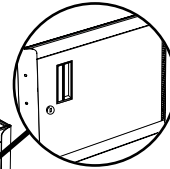


**A** x1

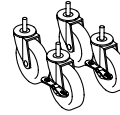
Non-slip mat



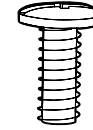
**B** x1



Cabinet comes pre-assembled on units that include a cabinet.



**C** x4



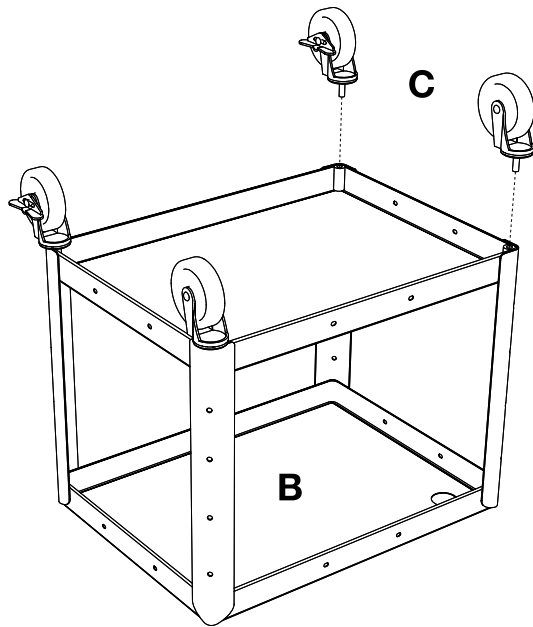
**D** x4



**E** x4

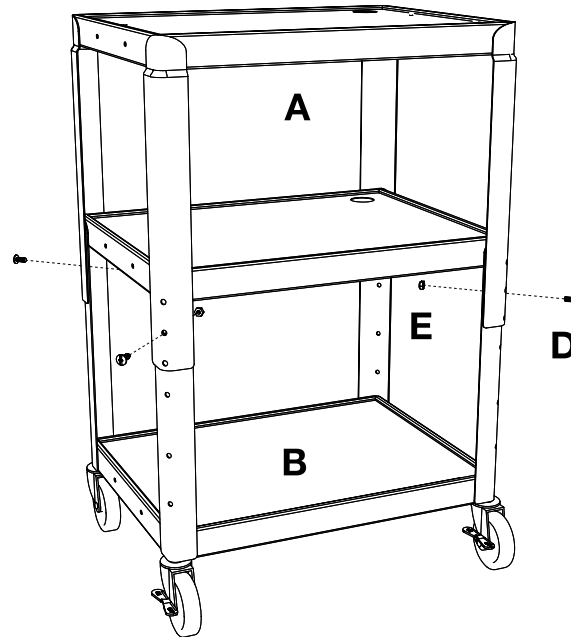
### Tools Required

- Phillips Screwdriver
- Rubber Mallet
- Pliers or Adjustable Wrench



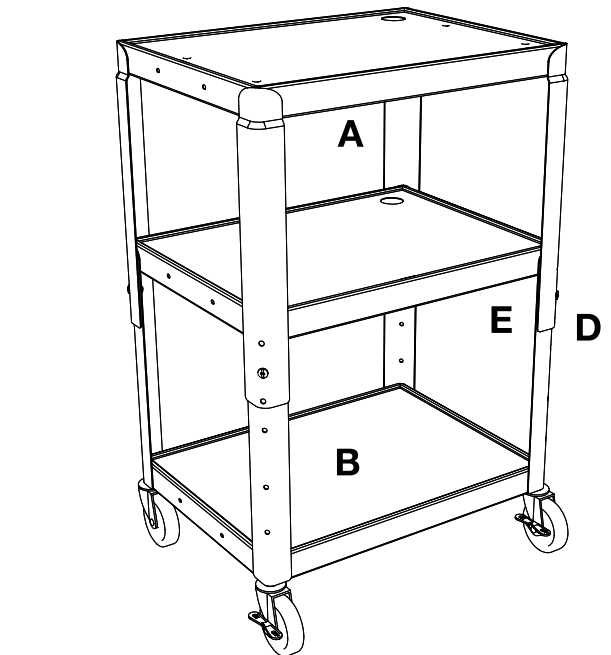
**1**

Position the bottom shelf **B** so that the caster holes are facing up. Insert caster **C** into the caster holes on the bottom of shelf **B**. Use a mallet to set the casters properly.



**2**

Flip bottom shelf **B** so that it is on its side. Set top shelf **A** so that it overlaps bottom shelf **B**. Align the screw holes so that the top shelf **A** is at the desired height.



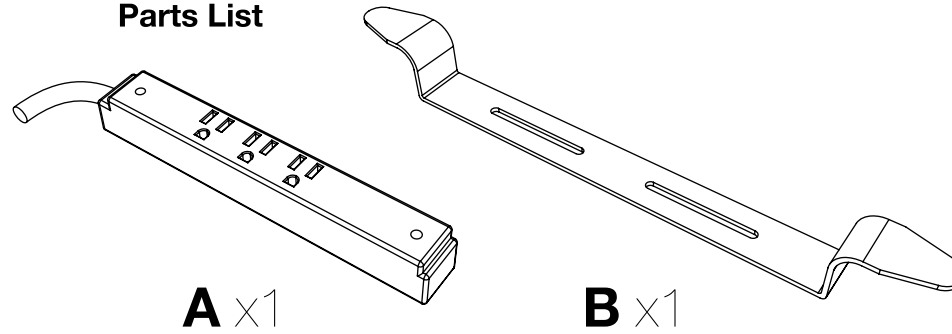
**3**

Insert screw **D** through the aligned screw hole of **A** and **B** and fasten nut **E** with pliers and screwdriver. Place Non-slip mat on desired shelf. The cart is now complete.

## Electric Assembly Instructions

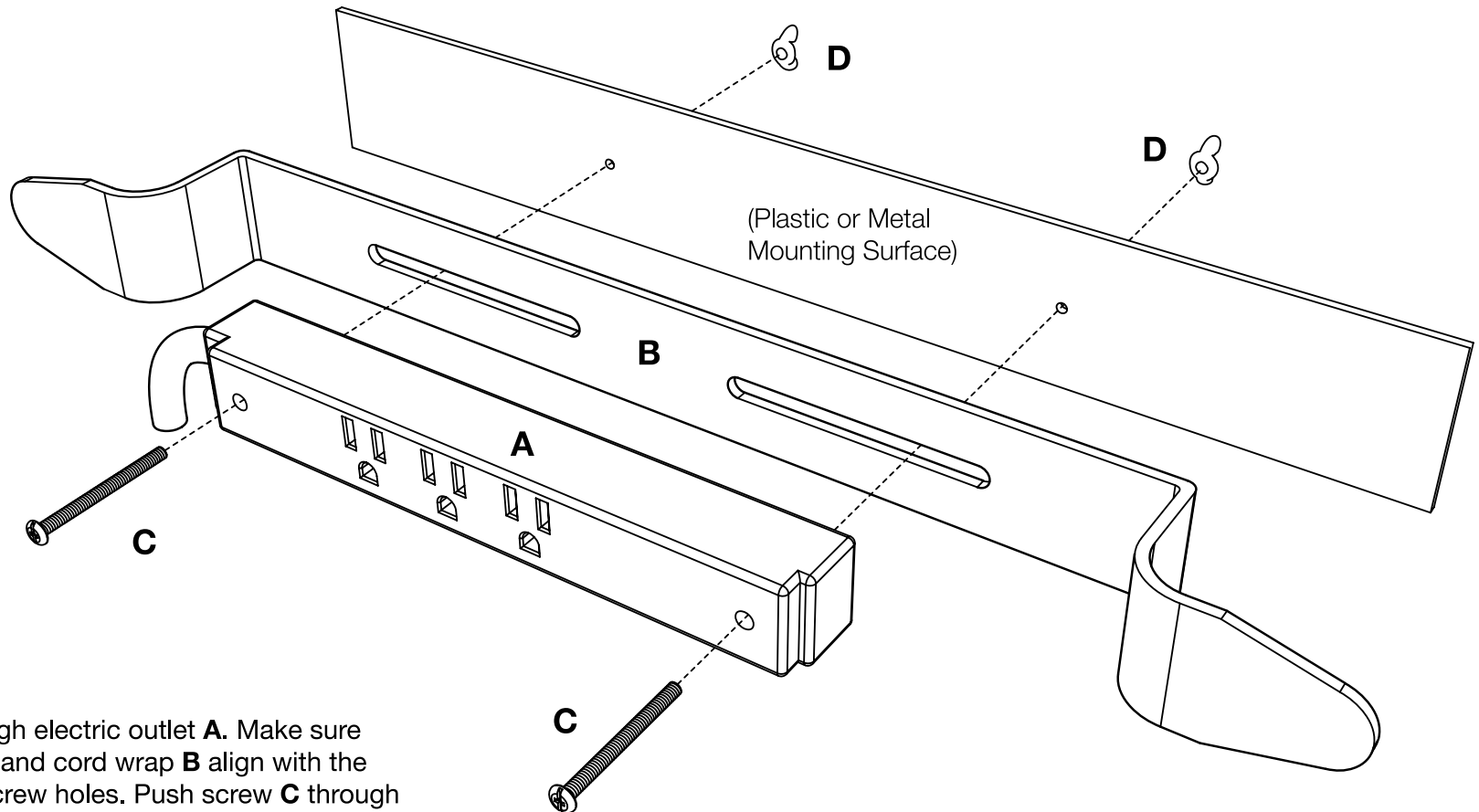
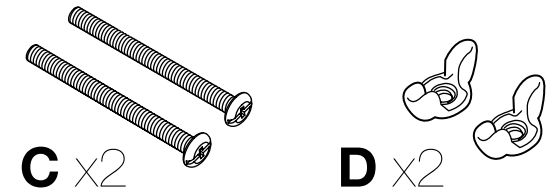
Number of outlets may vary.

### Parts List



### Tools Required

- Screwdriver



**1**

Push screw **C** through electric outlet **A**. Make sure the electric outlet **A** and cord wrap **B** align with the mounting surface screw holes. Push screw **C** through cord wrap **B** and the mounting surface screw holes. Use wing nut **D** and screwdriver to fasten.