

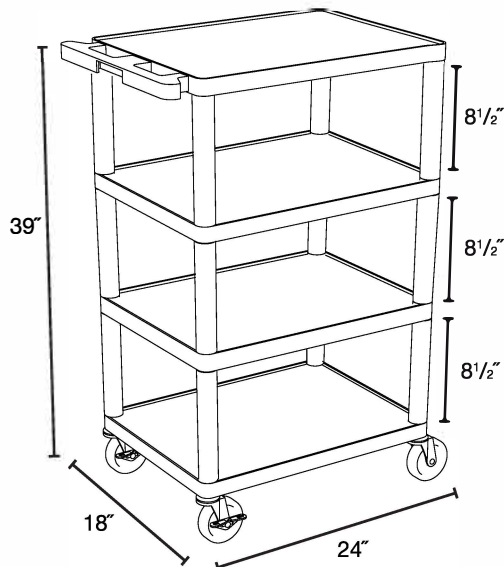
Structural Foam Plastic Cart



BC45
24"W x 18"D x 39"H



- Measures 24"W x 18"D x 39"H with a clearance between shelves of 8½"
- Includes four flat shelves with .25" retaining lip to secure items from sliding off
- Ergonomic push handle molded into the top shelf for optimum comfort
- Four 4" Heavy-Duty non-marring casters, two with locking brake
- Molded plastic shelves and legs won't stain, scratch, dent or rust
- Maximum weight capacity of 300lbs (evenly distributed)



**MADE IN
USA**