

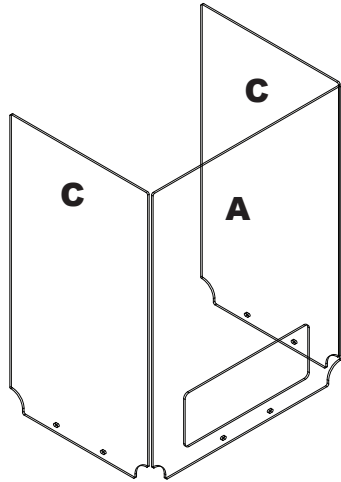
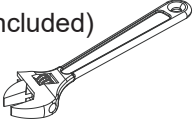
DIVAVJ Assembly Guide

Part List

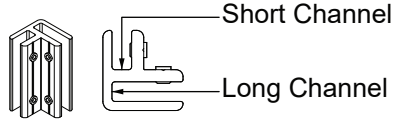
Tools Needed:

Allen Wrench
(Included)

Wrench
(Not Included)



Remove film before assembly



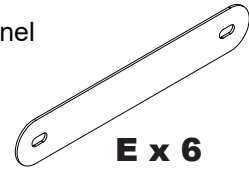
B x 4 Part B - Top View



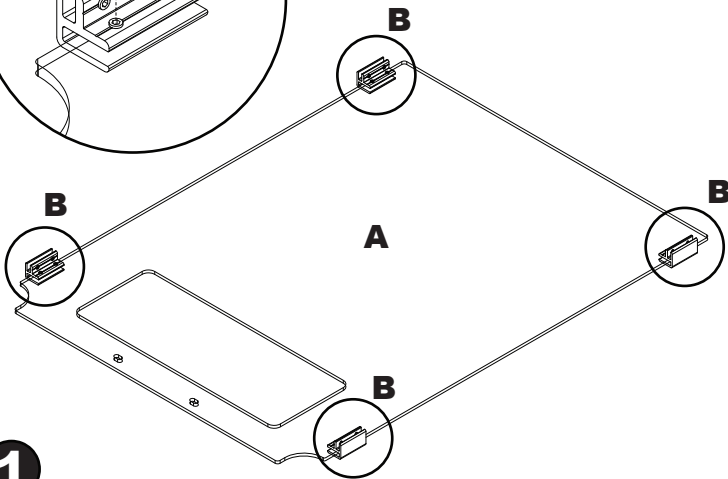
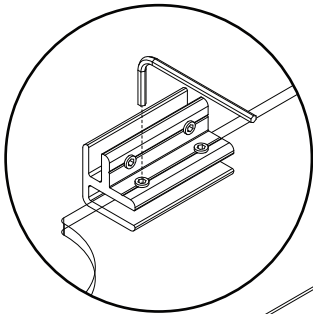
F x 6
M5 Nut



D x 6
M5 x 18 mm



E x 6

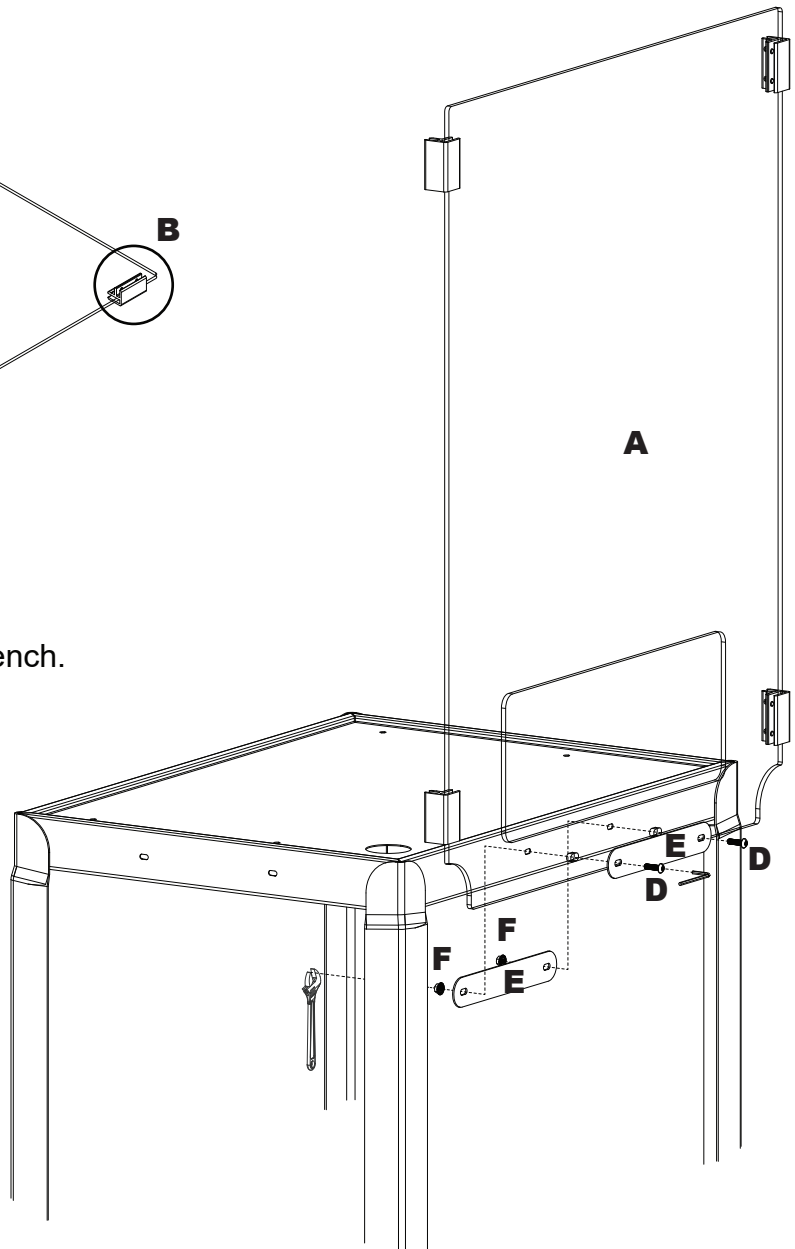


1

Install the long channel of 4 x Clamp B near the top and bottom of Panel A. Tighten the set screws with the Allen wrench.

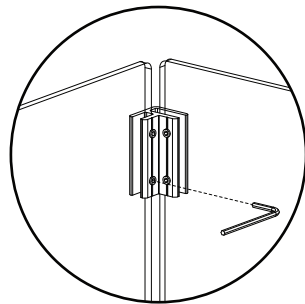
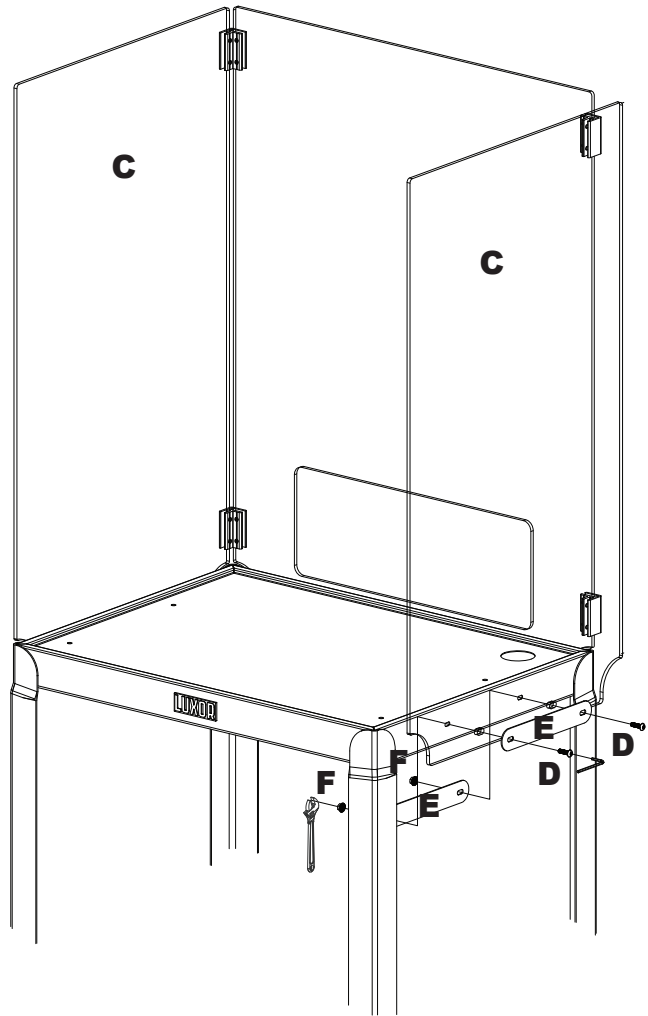
2

With assistance, attach Panel A to a pre-assembled cart in the following order: 2 x Screws D, 1 x Spacer E, 1 x panel A, 1 x pre-assembled cart, 1 x Spacer E, and 1 x Nut F. Tighten with the Allen wrench and an adjustable wrench.



3

With assistance, attach 2 x Panel B to a pre-assembled cart in the same order as step 2 per side: 2 x Screws D, 1 x Spacer E, 1 x panel A, 1 x pre-assembled cart, 1 x Spacer E, and 1 x Nut F. Tighten with the Allen wrench and an adjustable wrench.



4

Tighten the set screws in 4 x Clamp B to 2 x Panel B to Panel A with the Allen wrench. You have completed the assembly.

