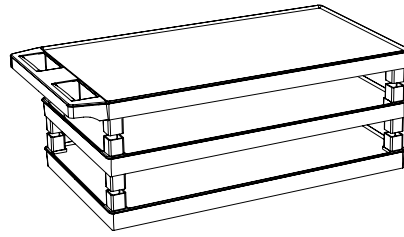


Parts List

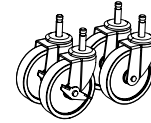


A x1

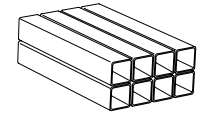
C x1

B x1

D x2



E x2

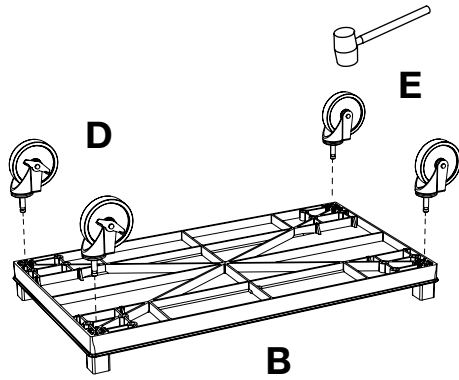


F x8

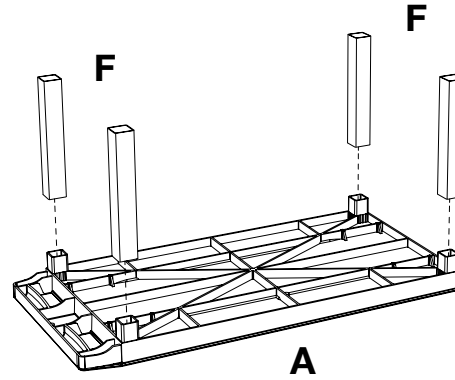
Tools Required

- Rubber Mallet

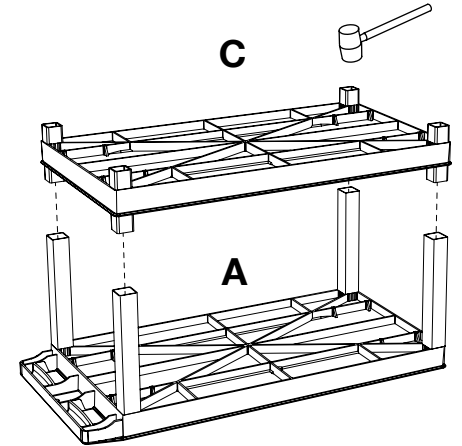
1



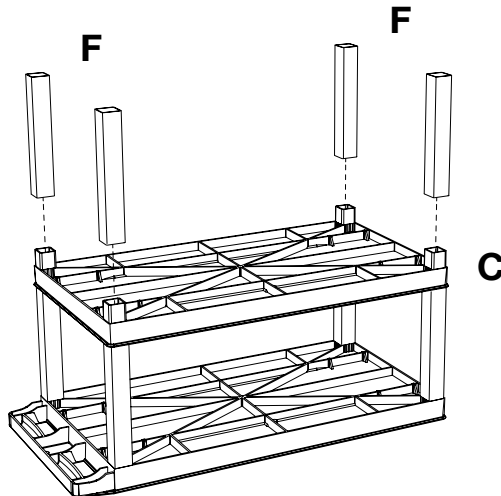
2



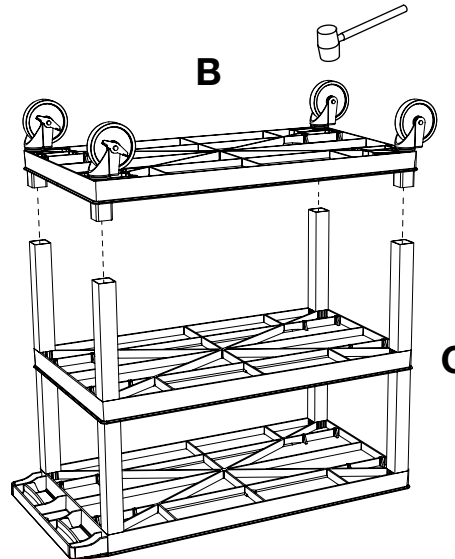
3



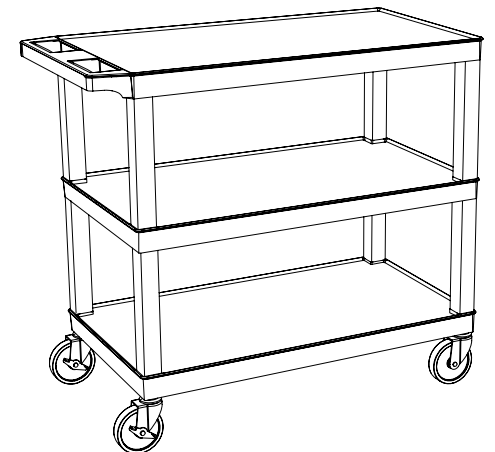
4



5



6



Electric Assembly Instructions

03/31/15

Number of outlets
may vary.

